



Chipsmall Limited consists of a professional team with an average of over 10 year of expertise in the distribution of electronic components. Based in Hongkong, we have already established firm and mutual-benefit business relationships with customers from,Europe,America and south Asia,supplying obsolete and hard-to-find components to meet their specific needs.

With the principle of “Quality Parts,Customers Priority,Honest Operation,and Considerate Service”,our business mainly focus on the distribution of electronic components. Line cards we deal with include Microchip,ALPS,ROHM,Xilinx,Pulse,ON,Everlight and Freescale. Main products comprise IC,Modules,Potentiometer,IC Socket,Relay,Connector.Our parts cover such applications as commercial,industrial, and automotives areas.

We are looking forward to setting up business relationship with you and hope to provide you with the best service and solution. Let us make a better world for our industry!



Contact us

Tel: +86-755-8981 8866 Fax: +86-755-8427 6832

Email & Skype: info@chipsmall.com Web: www.chipsmall.com

Address: A1208, Overseas Decoration Building, #122 Zhenhua RD., Futian, Shenzhen, China



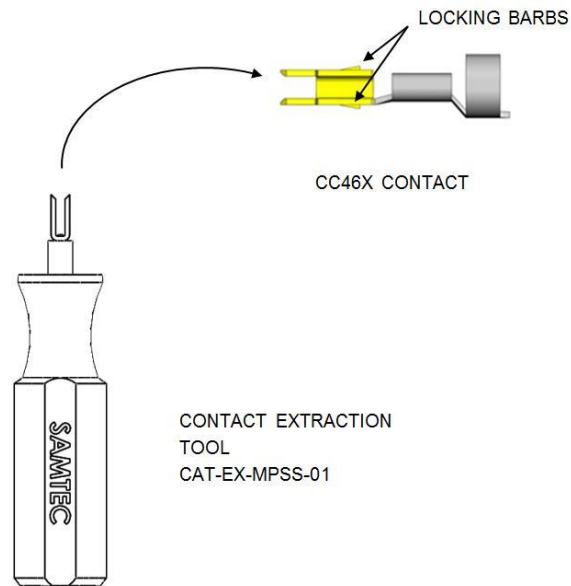


FIGURE 1

1. INTRODUCTION

Contacts can be safely removed from a housing cavity by using the extraction tooling shown in **Figure 1**. This instruction sheet covers the use of the SAMTEC Extraction Tool CAT-EX-MPSS-01. This tool is intended to aid in the removal of the CC46X, Power Strip[®] contacts from the housings.

2. CUSTOMER SERVICE

Further tooling and product application assistance is available by contacting the **Samtec Application Service Line +1-800-726-8329 (+1-812-944-6733)** 8:00 AM to 5:00 PM eastern time. To expedite your inquiry, have the pertinent part numbers for the product and tooling.

3. DESCRIPTION

Each tool handle is marked with the contact number for which it was designed. Make sure it matches the product numbers you are working with.

The Power Strip contact has a retaining barb that can be released through the housing side channels as shown in **Figure 2**. The Extraction Tool is inserted into the channel until the tool bottoms out to compress the contact and disengage the barbs for the contact removal.

CAUTION - Do not use any unintended tools to release the barbs. This can cause damage to the housing.

4. EXTRACTION PROCEDURE

The following steps are recommended:

1. Line the tines of the tool with the side channels of the housing as shown in **Figure 2**.
2. Insert the tines into the channels until the tool bottoms out on the housing as shown in **Figure 3**.
3. Maintain pressure on the tool to keep it bottomed out against the housing then grip the targeted lead and extract the contact from the housing.

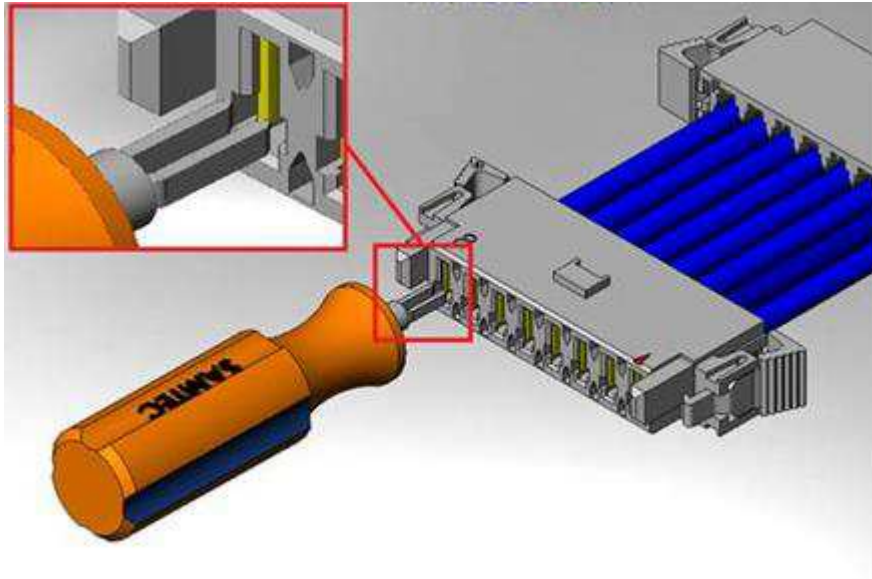


FIGURE 2

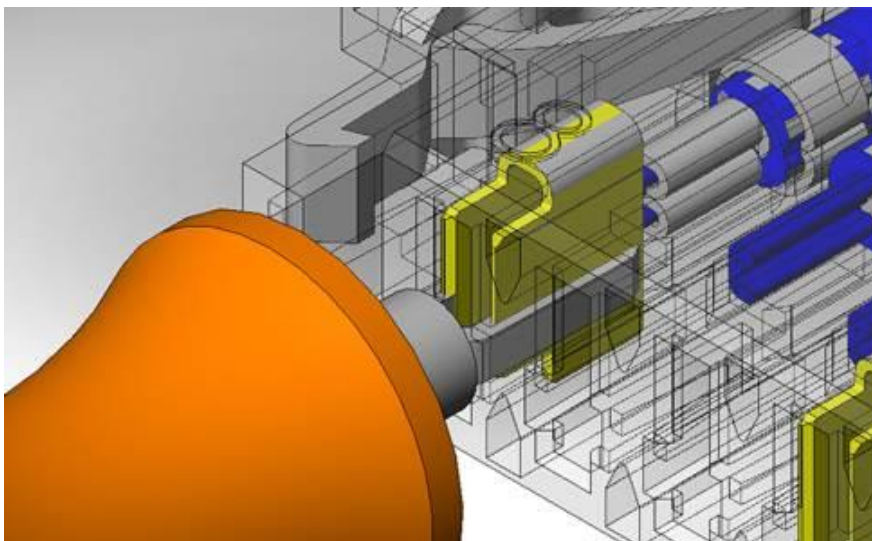


FIGURE 3