



Chipsmall Limited consists of a professional team with an average of over 10 year of expertise in the distribution of electronic components. Based in Hongkong, we have already established firm and mutual-benefit business relationships with customers from,Europe,America and south Asia,supplying obsolete and hard-to-find components to meet their specific needs.

With the principle of “Quality Parts,Customers Priority,Honest Operation,and Considerate Service”,our business mainly focus on the distribution of electronic components. Line cards we deal with include Microchip,ALPS,ROHM,Xilinx,Pulse,ON,Everlight and Freescale. Main products comprise IC,Modules,Potentiometer,IC Socket,Relay,Connector.Our parts cover such applications as commercial,industrial, and automotives areas.

We are looking forward to setting up business relationship with you and hope to provide you with the best service and solution. Let us make a better world for our industry!



Contact us

Tel: +86-755-8981 8866 Fax: +86-755-8427 6832

Email & Skype: info@chipsmall.com Web: www.chipsmall.com

Address: A1208, Overseas Decoration Building, #122 Zhenhua RD., Futian, Shenzhen, China





256K-Bit CMOS PARALLEL EEPROM



FEATURES

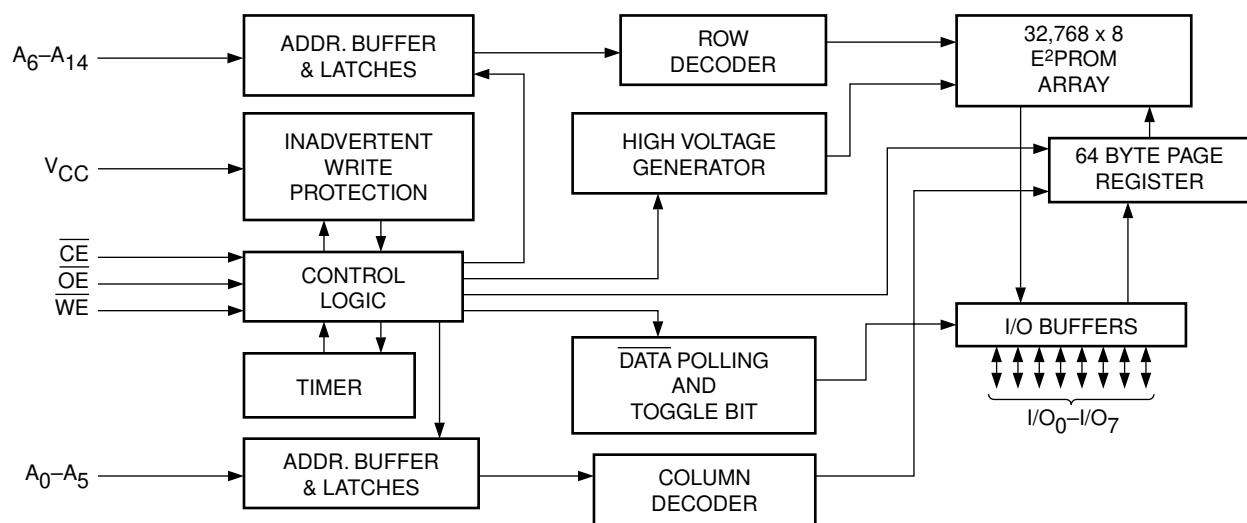
- 3.0V to 3.6V Supply
- Read Access Times: 200/250/300 ns
- Low Power CMOS Dissipation:
 - Active: 15 mA Max.
 - Standby: 150 μ A Max.
- Simple Write Operation:
 - On-Chip Address and Data Latches
 - Self-Timed Write Cycle with Auto-Clear
- Fast Write Cycle Time:
 - 10ms Max.
- Commercial, Industrial and Automotive Temperature Ranges
- CMOS and TTL Compatible I/O
- Automatic Page Write Operation:
 - 1 to 64 Bytes in 10ms
 - Page Load Timer
- End of Write Detection:
 - Toggle Bit
 - $\overline{\text{DATA}}$ Polling
- Hardware and Software Write Protection
- 100,000 Program/Erase Cycles
- 100 Year Data Retention

DESCRIPTION

The CAT28LV256 is a fast, low power, low voltage CMOS Parallel E²PROM organized as 32K x 8-bits. It requires a simple interface for in-system programming. On-chip address and data latches, self-timed write cycle with auto-clear and V_{CC} power up/down write protection eliminate additional timing and protection hardware. $\overline{\text{DATA}}$ Polling and Toggle status bits signal the start and end of the self-timed write cycle. Additionally, the CAT28LV256 features hardware and software write protection.

The CAT28LV256 is manufactured using Catalyst's advanced CMOS floating gate technology. It is designed to endure 100,000 program/erase cycles and has a data retention of 100 years. The device is available in JEDEC-approved 28-pin DIP, 28-pin TSOP or 32-pin PLCC packages.

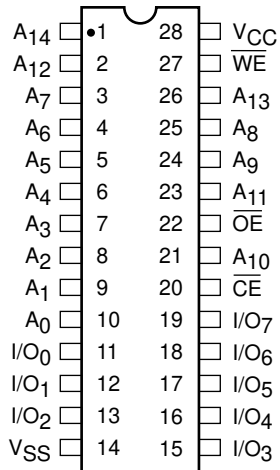
BLOCK DIAGRAM



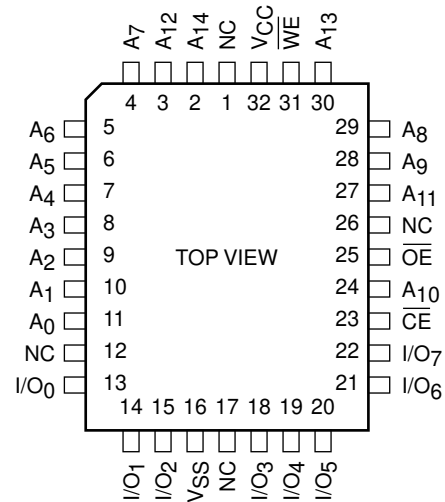
28LV256 F01

PIN CONFIGURATION

DIP Package (P, L)



PLCC Package (N, G)



TSOP Top View (8mm X 13.4mm) (H)



PIN FUNCTIONS

Pin Name	Function	Pin Name	Function
A ₀ –A ₁₄	Address Inputs	\overline{WE}	Write Enable
I/O ₀ –I/O ₇	Data Inputs/Outputs	V _{CC}	3.0 to 3.6 V Supply
\overline{CE}	Chip Enable	V _{SS}	Ground
\overline{OE}	Output Enable	NC	No Connect

ABSOLUTE MAXIMUM RATINGS*

Temperature Under Bias	-55°C to +125°C
Storage Temperature	-65°C to +150°C
Voltage on Any Pin with Respect to Ground ⁽²⁾	-2.0V to +V _{CC} + 2.0V
V _{CC} with Respect to Ground	-2.0V to +7.0V
Package Power Dissipation Capability (T _a = 25°C)	1.0W
Lead Soldering Temperature (10 secs)	300°C
Output Short Circuit Current ⁽³⁾	100 mA

***COMMENT**

Stresses above those listed under “Absolute Maximum Ratings” may cause permanent damage to the device. These are stress ratings only, and functional operation of the device at these or any other conditions outside of those listed in the operational sections of this specification is not implied. Exposure to any absolute maximum rating for extended periods may affect device performance and reliability.



RELIABILITY CHARACTERISTICS

Symbol	Parameter	Min.	Max.	Units	Test Method
N _{END} ⁽¹⁾	Endurance	100,000		Cycles/Byte	MIL-STD-883, Test Method 1033
T _{DR} ⁽¹⁾	Data Retention	100		Years	MIL-STD-883, Test Method 1008
V _{ZAP} ⁽¹⁾	ESD Susceptibility	2000		Volts	MIL-STD-883, Test Method 3015
I _{LTH} ⁽¹⁾⁽⁴⁾	Latch-Up	100		mA	JEDEC Standard 17

CAPACITANCE T_A = 25°C, f = 1.0 MHz

Symbol	Test	Max.	Units	Conditions
C _{I/O} ⁽¹⁾	Input/Output Capacitance	10	pF	V _{I/O} = 0V
C _{IN} ⁽¹⁾	Input Capacitance	6	pF	V _{IN} = 0V

MODE SELECTION

Mode	$\overline{\text{CE}}$	$\overline{\text{WE}}$	$\overline{\text{OE}}$	I/O	Power
Read	L	H	L	D _{OUT}	ACTIVE
Byte Write ($\overline{\text{WE}}$ Controlled)	L		H	D _{IN}	ACTIVE
Byte Write ($\overline{\text{CE}}$ Controlled)		L	H	D _{IN}	ACTIVE
Standby, and Write Inhibit	H	X	X	High-Z	STANDBY
Read and Write Inhibit	X	H	H	High-Z	ACTIVE

Note:

- (1) This parameter is tested initially and after a design or process change that affects the parameter.
- (2) The minimum DC input voltage is -0.5V. During transitions, inputs may undershoot to -2.0V for periods of less than 20 ns. Maximum DC voltage on output pins is V_{CC} +0.5V, which may overshoot to V_{CC} +2.0V for periods of less than 20 ns.
- (3) Output shorted for no more than one second. No more than one output shorted at a time.
- (4) Latch-up protection is provided for stresses up to 100mA on address and data pins from -1V to V_{CC} +1V.

D.C. OPERATING CHARACTERISTICS

V_{CC} = 3.0V to 3.6V, unless otherwise specified

Symbol	Parameter	Limits			Units	Test Conditions
		Min.	Typ.	Max.		
I _{CC}	V _{CC} Current (Operating, TTL)			15	mA	$\overline{CE} = \overline{OE} = V_{IL}$, f = 1/t _{RC} min, All I/O's Open
I _{SBC} ⁽²⁾	V _{CC} Current (Standby, CMOS)			150	μA	$\overline{CE} = V_{IHC}$, All I/O's Open
I _{LI}	Input Leakage Current	-1		1	μA	V _{IN} = GND to V _{CC}
I _{LO}	Output Leakage Current	-5		5	μA	V _{OUT} = GND to V _{CC} , $\overline{CE} = V_{IH}$
V _{IH} ⁽²⁾	High Level Input Voltage	2		V _{CC} + 0.3	V	
V _{IL}	Low Level Input Voltage	-0.3		0.6	V	
V _{OH}	High Level Output Voltage	2			V	I _{OH} = -100μA
V _{OL}	Low Level Output Voltage			0.3	V	I _{OL} = 1.0mA
V _{WI}	Write Inhibit Voltage	2			V	

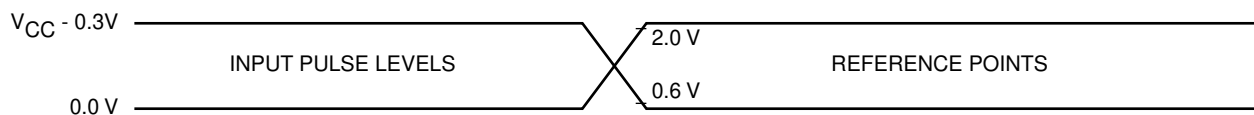
A.C. CHARACTERISTICS, Read Cycle

V_{CC} = 3.0V to 3.6V, unless otherwise specified

Symbol	Parameter	28LV256-20		28LV256-25		28LV256-30		Units
		Min.	Max.	Min.	Max.	Min.	Max.	
t _{RC}	Read Cycle Time	200		250		300		ns
t _{CE}	\overline{CE} Access Time		200		250		300	ns
t _{AA}	Address Access Time		200		250		300	ns
t _{OE}	\overline{OE} Access Time		80		100		110	ns
t _{LZ} ⁽¹⁾	\overline{CE} Low to Active Output	0		0		0		ns
t _{OLZ} ⁽¹⁾	\overline{OE} Low to Active Output	0		0		0		ns
t _{HZ} ⁽¹⁾⁽³⁾	\overline{CE} High to High-Z Output		50		55		60	ns
t _{OHZ} ⁽¹⁾⁽³⁾	\overline{OE} High to High-Z Output		50		55		60	ns
t _{OH} ⁽¹⁾	Output Hold from Address Change	0		0		0		ns

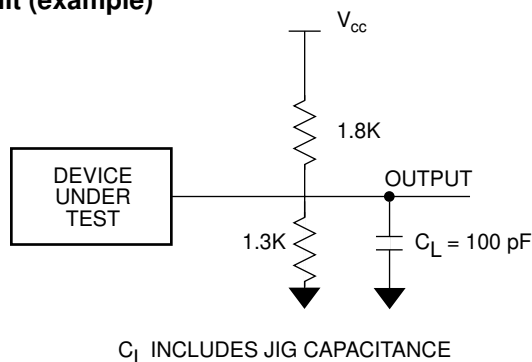
Note:

- (1) This parameter is tested initially and after a design or process change that affects the parameter.
- (2) V_{IHC} = V_{CC} - 0.3V to V_{CC} + 0.3V.
- (3) Output floating (High-Z) is defined as the state when the external data line is no longer driven by the output buffer.

Figure 1. A.C. Testing Input/Output Waveform⁽²⁾

28LV256 F04

Figure 2. A.C. Testing Load Circuit (example)



28LV256 F05

A.C. CHARACTERISTICS, Write Cycle

$V_{CC} = 3.0V$ to $3.6V$, unless otherwise specified

Symbol	Parameter	28LV256-20		28LV256-25		28LV256-30		Units
		Min.	Max.	Min.	Max.	Min.	Max.	
t_{WC}	Write Cycle Time		10		10		10	ms
t_{AS}	Address Setup Time	0		0		0		ns
t_{AH}	Address Hold Time	100		100		100		ns
t_{CS}	\overline{CE} Setup Time	0		0		0		ns
t_{CH}	\overline{CE} Hold Time	0		0		0		ns
$t_{CW}^{(3)}$	\overline{CE} Pulse Time	150		150		150		ns
t_{OES}	\overline{OE} Setup Time	0		0		0		ns
t_{OEH}	\overline{OE} Hold Time	0		0		0		ns
$t_{WP}^{(3)}$	\overline{WE} Pulse Width	150		150		150		ns
t_{DS}	Data Setup Time	50		50		50		ns
t_{DH}	Data Hold Time	0		0		0		ns
$t_{INIT}^{(1)}$	Write Inhibit Period After Power-up	5	10	5	10	5	10	ms
$t_{BLC}^{(1)(4)}$	Byte Load Cycle Time	0.15	100	0.15	100	0.15	100	μs

Note:

- (1) This parameter is tested initially and after a design or process change that affects the parameter.
- (2) Input rise and fall times (10% and 90%) < 10 ns.
- (3) A write pulse of less than 20ns duration will not initiate a write cycle.
- (4) A timer of duration t_{BLC} max. begins with every LOW to HIGH transition of \overline{WE} . If allowed to time out, a page or byte write will begin; however a transition from HIGH to LOW within t_{BLC} max. stops the timer.

DEVICE OPERATION

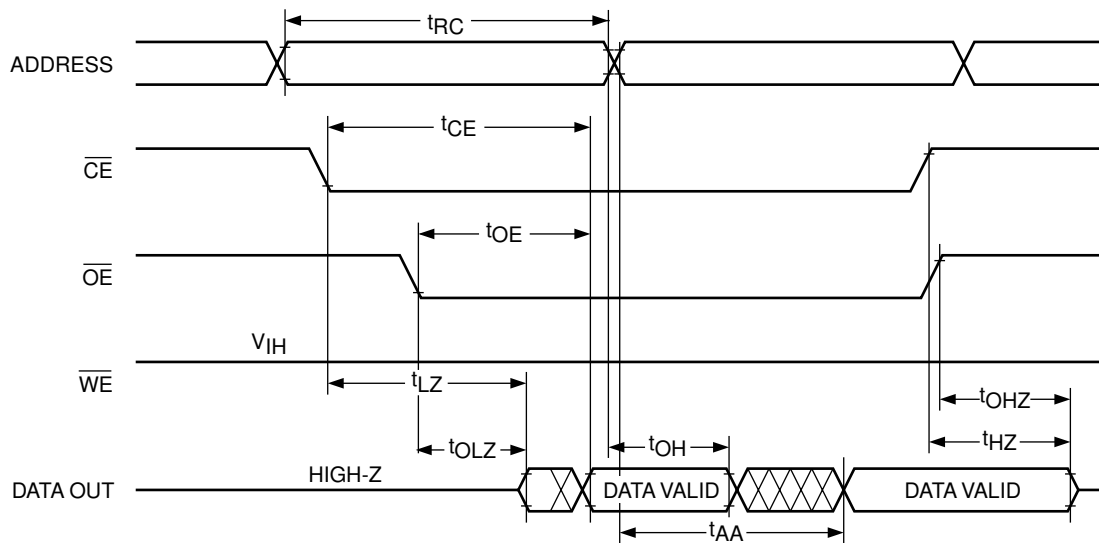
Read

Data stored in the CAT28LV256 is transferred to the data bus when \overline{WE} is held high, and both \overline{OE} and \overline{CE} are held low. The data bus is set to a high impedance state when either \overline{CE} or \overline{OE} goes high. This 2-line control architecture can be used to eliminate bus contention in a system environment.

Byte Write

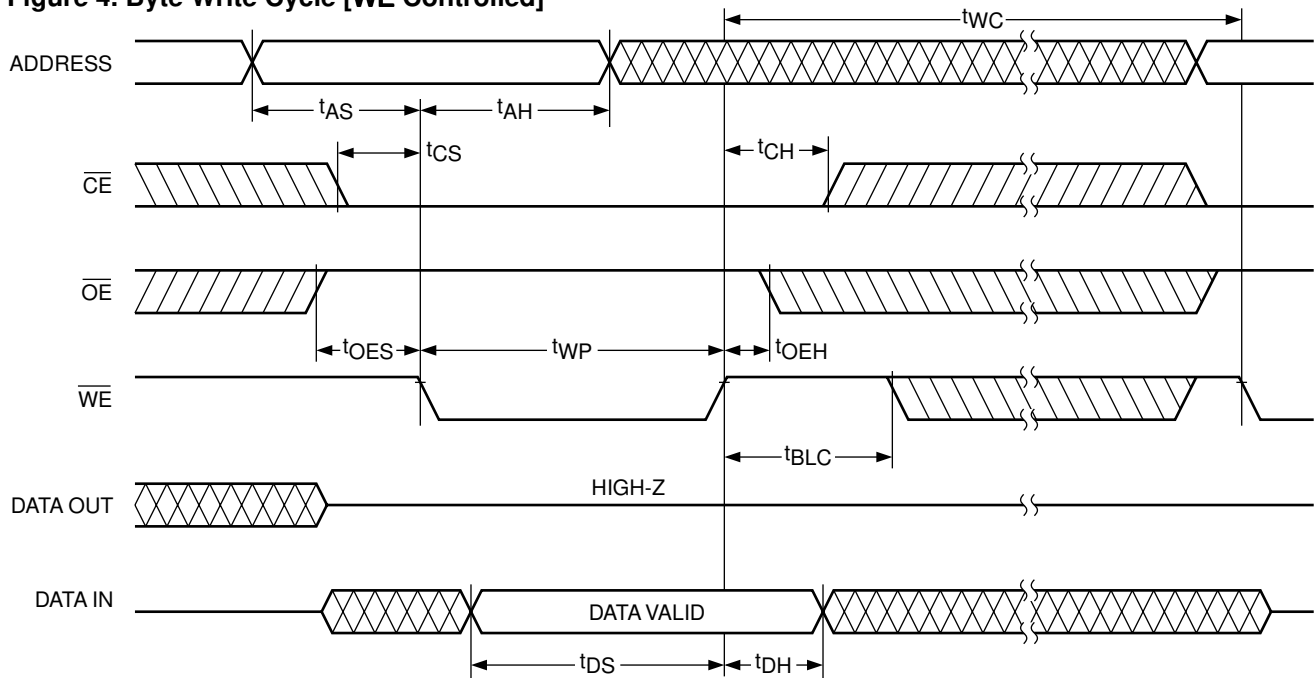
A write cycle is executed when both \overline{CE} and \overline{WE} are low, and \overline{OE} is high. Write cycles can be initiated using either \overline{WE} or \overline{CE} , with the address input being latched on the falling edge of \overline{WE} or \overline{CE} , whichever occurs last. Data, conversely, is latched on the rising edge of \overline{WE} or \overline{CE} , whichever occurs first. Once initiated, a byte write cycle automatically erases the addressed byte and the new data is written within 10 ms.

Figure 3. Read Cycle



28LV256 F06

Figure 4. Byte Write Cycle [\overline{WE} Controlled]



28LV256 F07

Page Write

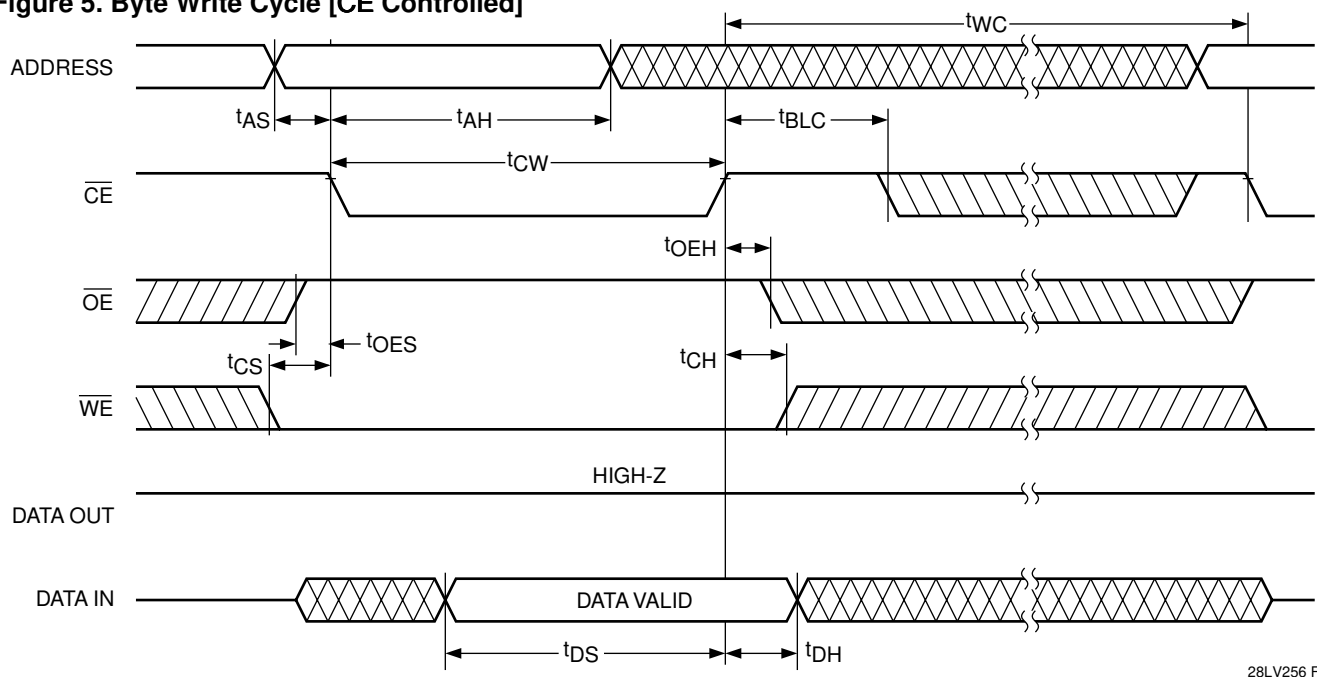
The page write mode of the CAT28LV256 (essentially an extended BYTE WRITE mode) allows from 1 to 64 bytes of data to be programmed within a single E²PROM write cycle. This effectively reduces the byte-write time by a factor of 64.

Following an initial WRITE operation (\overline{WE} pulsed low, for t_{WP} , and then high) the page write mode can begin by issuing sequential \overline{WE} pulses, which load the address and data bytes into a 64 byte temporary buffer. The page address where data is to be written, specified by bits A_6 to A_{14} , is latched on the last falling edge of \overline{WE} . Each byte within the page is defined by address bits A_0 to A_5

(which can be loaded in any order) during the first and subsequent write cycles. Each successive byte load cycle must begin within $t_{BLC\ MAX}$ of the rising edge of the preceding \overline{WE} pulse. There is no page write window limitation as long as \overline{WE} is pulsed low within $t_{BLC\ MAX}$.

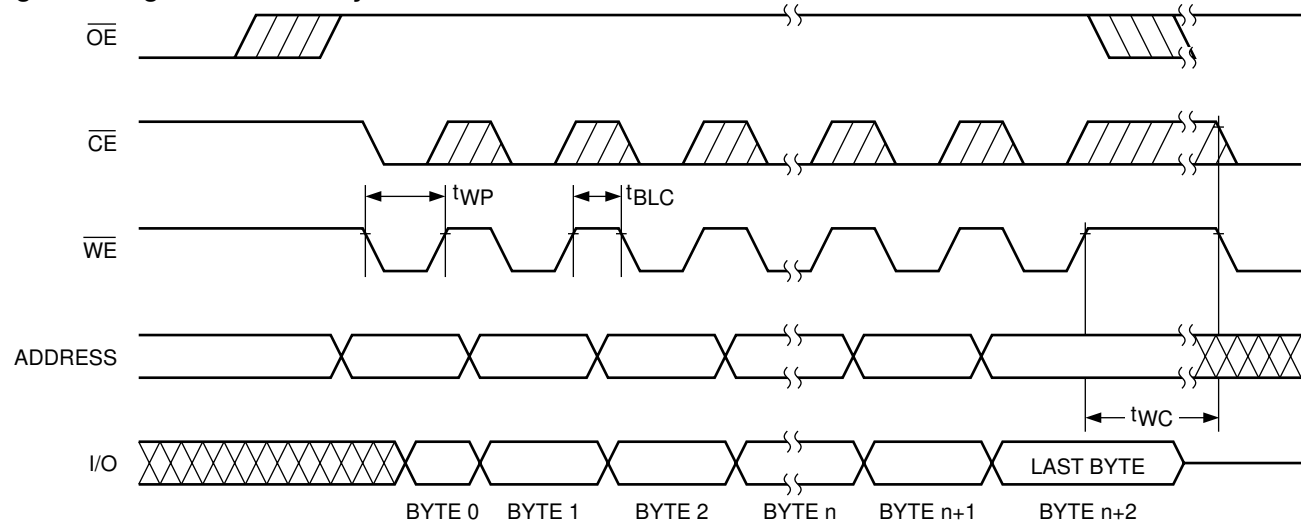
Upon completion of the page write sequence, \overline{WE} must stay high a minimum of $t_{BLC\ MAX}$ for the internal automatic program cycle to commence. This programming cycle consists of an erase cycle, which erases any data that existed in each addressed cell, and a write cycle, which writes new data back into the cell. A page write will only write data to the locations that were addressed and will not rewrite the entire page.

Figure 5. Byte Write Cycle [\overline{CE} Controlled]



28LV256 F08

Figure 6. Page Mode Write Cycle



28LV256 F09

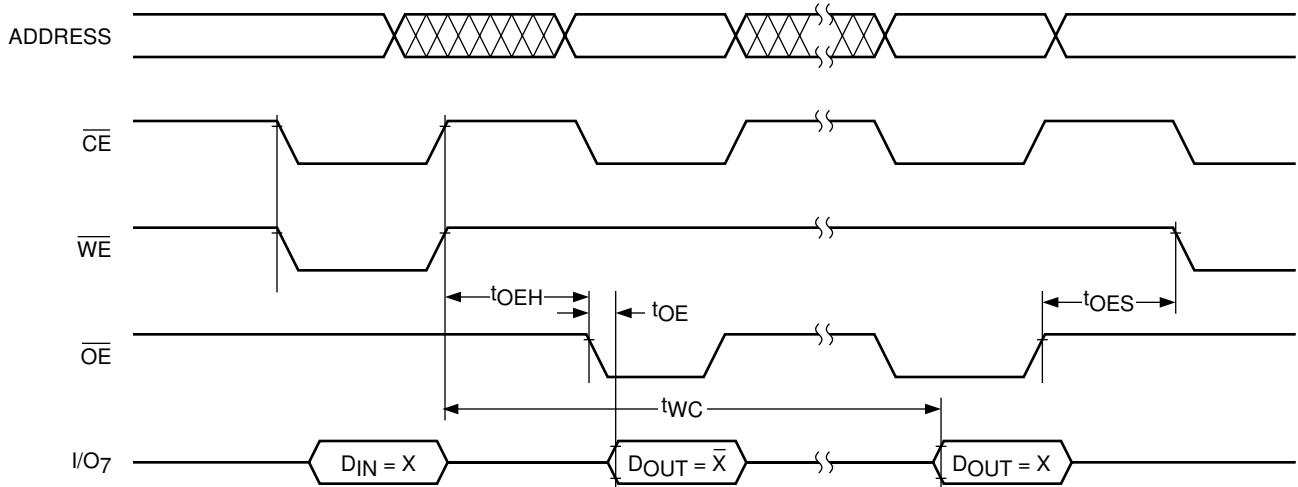
DATA Polling

$\overline{\text{DATA}}$ polling is provided to indicate the completion of write cycle. Once a byte write or page write cycle is initiated, attempting to read the last byte written will output the complement of that data on I/O₇ (I/O₀–I/O₆ are indeterminate) until the programming cycle is complete. Upon completion of the self-timed write cycle, all I/O's will output true data during a read cycle.

Toggle Bit

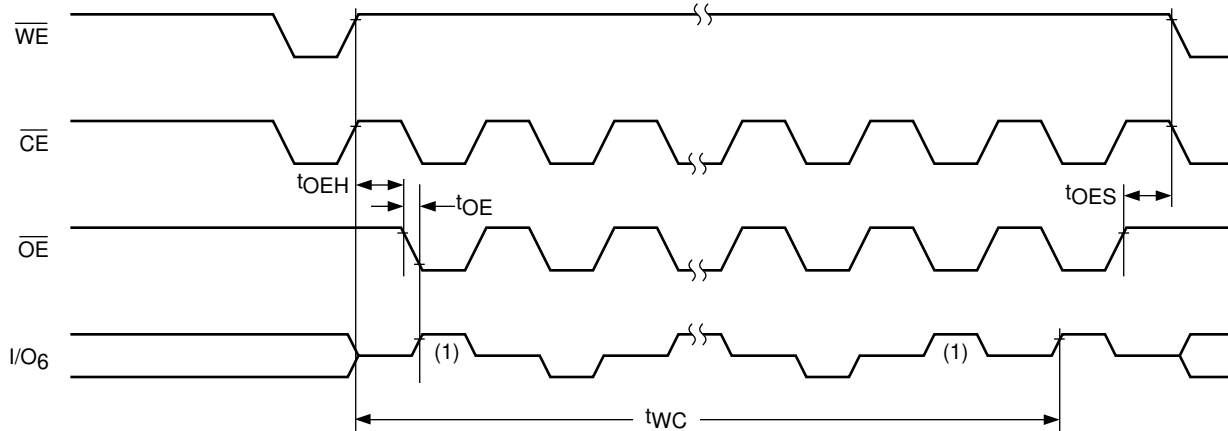
In addition to the $\overline{\text{DATA}}$ Polling feature, the device can determine the completion of a write cycle, while a write cycle is in progress, by reading data from the device. This results in I/O₆ toggling between one and zero. Once the write is complete, however, I/O₆ stops toggling and valid data can be read from the device.

Figure 7. $\overline{\text{DATA}}$ Polling



28LV256 F10

Figure 8. Toggle Bit



28LV256 F11

Note:

(1) Beginning and ending state of I/O₆ is indeterminate.

HARDWARE DATA PROTECTION

The following hardware data protection features are incorporated into the CAT28LV256.

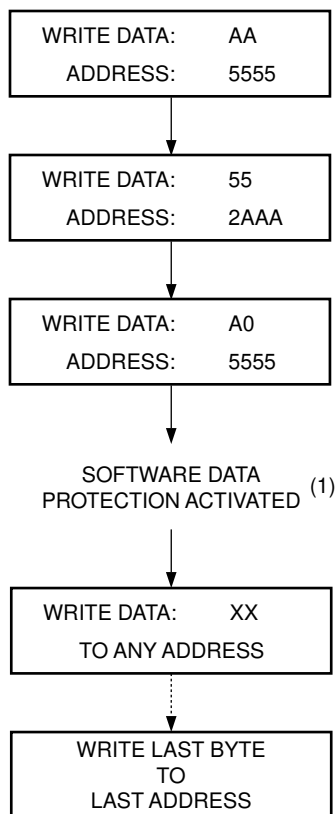
- (1) V_{CC} sense provides write protection when V_{CC} falls below 2.0V min.
- (2) A power on delay mechanism, t_{INIT} (see AC characteristics), provides a 5 to 10 ms delay before a write sequence, after V_{CC} has reached 2.4V min.
- (3) Write inhibit is activated by holding any one of \overline{OE} low, \overline{CE} high, or \overline{WE} high.

- (4) Noise pulses of less than 20 ns on the \overline{WE} or \overline{CE} inputs will not result in a write cycle.

SOFTWARE DATA PROTECTION

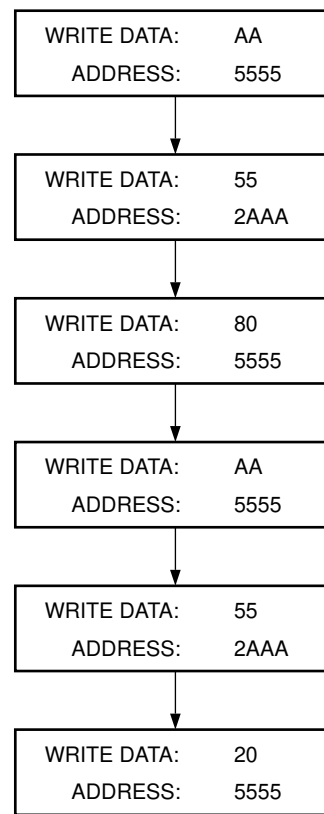
The CAT28LV256 features a software controlled data protection scheme which, once enabled, requires a data algorithm to be issued to the device before a write can be performed. The device is shipped from Catalyst with the software protection NOT ENABLED (the CAT28LV256 is in the standard operating mode).

Figure 9. Write Sequence for Activating Software Data Protection



28LV256 F12

Figure 10. Write Sequence for Deactivating Software Data Protection



28LV256 F13

Note:

- (1) Write protection is activated at this point whether or not any more writes are completed. Writing to addresses must occur within t_{BLC} Max., after SDP activation.

To activate the software data protection, the device must be sent three write commands to specific addresses with specific data (Figure 9). This sequence of commands (along with subsequent writes) must adhere to the page write timing specifications (Figure 11). Once this is done, all subsequent byte or page writes to the device must be preceded by this same set of write commands. The data protection mechanism is activated until a deactivate sequence is issued, regardless of power on/off transitions. This gives the user added inadvertent write protection on power-up in addition to the hardware protection provided.

To allow the user the ability to program the device with an E²PROM programmer (or for testing purposes) there is a software command sequence for deactivating the data protection. The six step algorithm (Figure 10) will reset the internal protection circuitry, and the device will return to standard operating mode (Figure 12 provides reset timing). After the sixth byte of this reset sequence has been issued, standard byte or page writing can commence.

Figure 11. Software Data Protection Timing

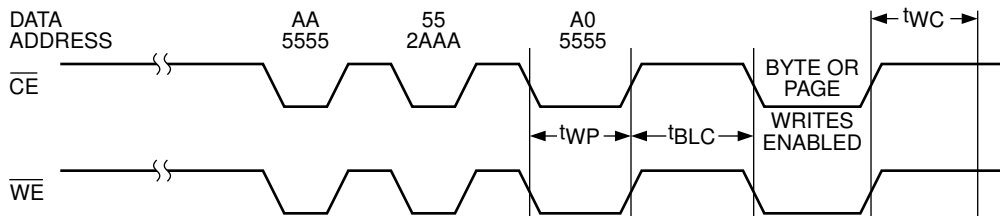
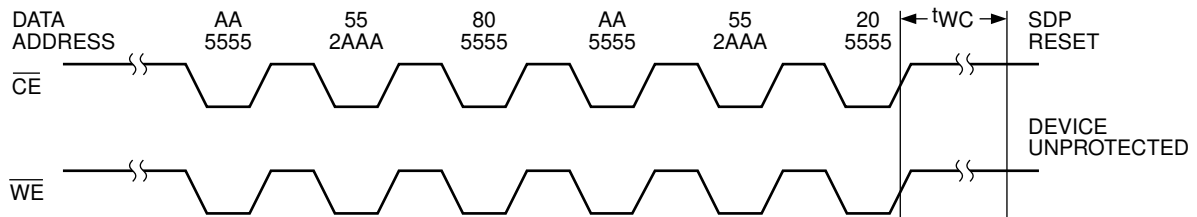
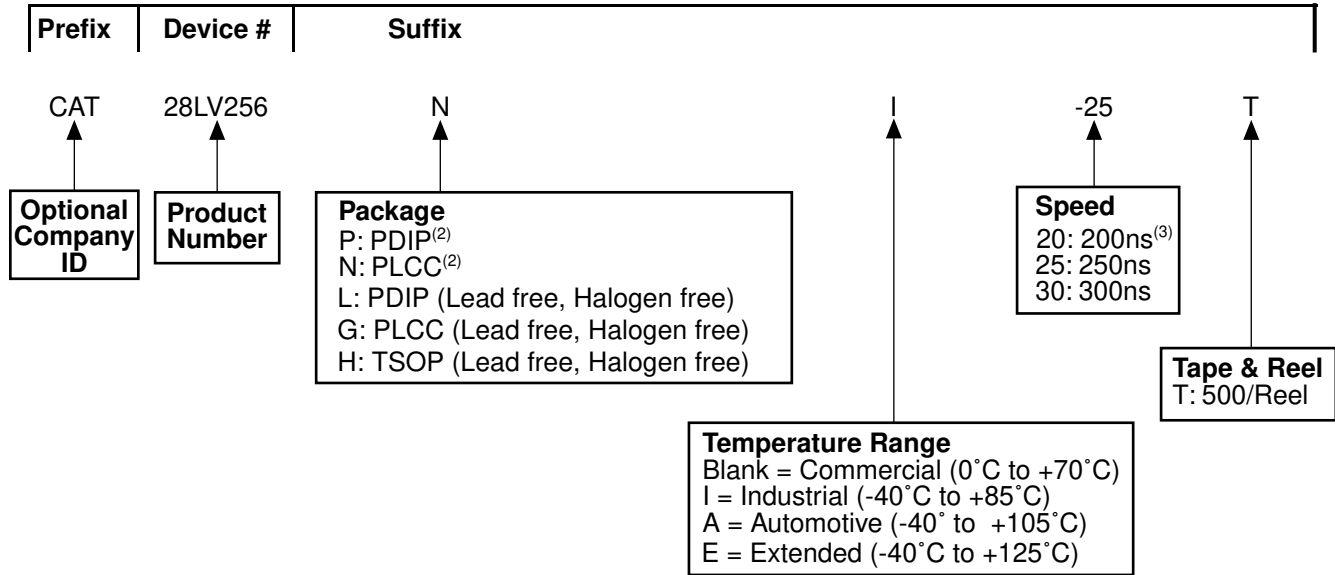


Figure 12. Resetting Software Data Protection Timing



EXAMPLE OF ORDERING INFORMATION⁽¹⁾



ORDERING INFORMATION


Orderable Part Numbers (for Pb-Free Devices)	
CAT28LV256GI-20T	CAT28LV256HE25T
CAT28LV256GI-25T	CAT28LV256HE30T
CAT28LV256GI-30T	CAT28LV256LI20
CAT28LV256GA-25T	CAT28LV256LI25
CAT28LV256GA-30T	CAT28LV256LI30
CAT28LV256GE-25T	CAT28LV256LA25
CAT28LV256GE-30T	CAT28LV256LA30
CAT28LV256HI20T	CAT28LV256LE25
CAT28LV256HI25T	CAT28LV256LE30
CAT28LV256HI30T	
CAT28LV256HA25T	
CAT28LV256HA30T	

Notes:

- (1) The device used in the above example is a CAT28LV256NI-25T (100,000 Cycle Endurance, PLCC, Industrial temperature, 250 ns Access Time, Tape & Reel).
- (2) Solder-plate (tin-lead) packages, contact Factory for availability.
- (3) Commercial and industrial temperature range only.

REVISION HISTORY

Date	Revision	Description
03-Feb-04	A	Assigned doc number Updated Ordering Info
27-Feb-04	B	Added Green Packages
15-Oct-08	C	Eliminate TSOP (8mm x 13.4mm) SnPb package.
18-Nov-08	D	Change logo and fine print to ON Semiconductor
30-Jul-09	E	Update Example of Ordering Information Update Ordering Information table

ON Semiconductor and  are registered trademarks of Semiconductor Components Industries, LLC (SCILLC). SCILLC reserves the right to make changes without further notice to any products herein. SCILLC makes no warranty, representation or guarantee regarding the suitability of its products for any particular purpose, nor does SCILLC assume any liability arising out of the application or use of any product or circuit, and specifically disclaims any and all liability, including without limitation special, consequential or incidental damages. "Typical" parameters which may be provided in SCILLC data sheets and/or specifications can and do vary in different applications and actual performance may vary over time. All operating parameters, including "Typicals" must be validated for each customer application by customer's technical experts. SCILLC does not convey any license under its patent rights nor the rights of others. SCILLC products are not designed, intended, or authorized for use as components in systems intended for surgical implant into the body, or other applications intended to support or sustain life, or for any other application in which the failure of the SCILLC product could create a situation where personal injury or death may occur. Should Buyer purchase or use SCILLC products for any such unintended or unauthorized application, Buyer shall indemnify and hold SCILLC and its officers, employees, subsidiaries, affiliates, and distributors harmless against all claims, costs, damages, and expenses, and reasonable attorney fees arising out of, directly or indirectly, any claim of personal injury or death associated with such unintended or unauthorized use, even if such claim alleges that SCILLC was negligent regarding the design or manufacture of the part. SCILLC is an Equal Opportunity/Affirmative Action Employer. This literature is subject to all applicable copyright laws and is not for resale in any manner.

PUBLICATION ORDERING INFORMATION

LITERATURE FULFILLMENT:

Literature Distribution Center for ON Semiconductor
P.O. Box 5163, Denver, Colorado 80217 USA
Phone: 303-675-2175 or 800-344-3860 Toll Free USA/Canada
Fax: 303-675-2176 or 800-344-3867 Toll Free USA/Canada
Email: orderlit@onsemi.com

N. American Technical Support: 800-282-9855
Toll Free
USA/Canada

Europe, Middle East and Africa Technical Support:
Phone: 421 33 790 2910

Japan Customer Focus Center:
Phone: 81-3-5773-3850

ON Semiconductor Website: www.onsemi.com

Order Literature: <http://www.onsemi.com/orderlit>

For additional information, please contact your local Sales Representative