



Chipsmall Limited consists of a professional team with an average of over 10 year of expertise in the distribution of electronic components. Based in Hongkong, we have already established firm and mutual-benefit business relationships with customers from,Europe,America and south Asia,supplying obsolete and hard-to-find components to meet their specific needs.

With the principle of “Quality Parts,Customers Priority,Honest Operation,and Considerate Service”,our business mainly focus on the distribution of electronic components. Line cards we deal with include Microchip,ALPS,ROHM,Xilinx,Pulse,ON,Everlight and Freescale. Main products comprise IC,Modules,Potentiometer,IC Socket,Relay,Connector.Our parts cover such applications as commercial,industrial, and automotives areas.

We are looking forward to setting up business relationship with you and hope to provide you with the best service and solution. Let us make a better world for our industry!



Contact us

Tel: +86-755-8981 8866 Fax: +86-755-8427 6832

Email & Skype: info@chipsmall.com Web: www.chipsmall.com

Address: A1208, Overseas Decoration Building, #122 Zhenhua RD., Futian, Shenzhen, China



CAT4139AEVB

CAT4139 LED Driver Evaluation Board User's Manual



ON Semiconductor®

<http://onsemi.com>

Introduction

This document describes the CAT4139AEVB evaluation board for the CAT4139 high efficiency step-up LED driver. The CAT4139 delivers an accurate constant current ideal for driving LEDs.

EVAL BOARD USER'S MANUAL

Schematic

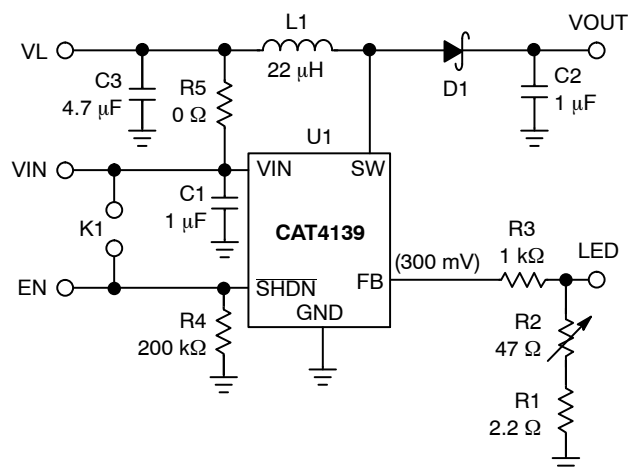


Figure 1. CAT4139AEVB Schematic




Figure 2. CAT4139AEVB Board

Table 1. BILL OF MATERIALS

Name	Manufacturer	Description	Part Number	Units
U1	ON Semiconductor, Catalyst Group	High Efficiency Boost LED Driver, SOT23-5	CAT4139	1
C1	Taiyo Yuden	Ceramic Capacitor 1.0 µF/6.3 V X5R, Size 0805	JMK212BJ105KK-T	1
C2	Taiyo Yuden	Ceramic Capacitor 1.0 µF/50 V X7R, Size 1210	UMK325BJ105KH-T	1
C3	Taiyo Yuden	Ceramic Capacitor 4.7 µF/6.3 V X5R, Size 0805	JMK212BJ475KD-T	1
D1	TSC	Schottky Diode 40 V/1 A, Sub SMA	SS14L	1
L1	NIC	Inductor 22 µH/0.7 A	NPIS43D220MTRF	1
R1	Panasonic	SMT Resistor 2.2 Ω/250 mW, Size 1206	ERJ-8GEYJ2R2V	1
R2	Vishay	Trim Pot 200 Ω/500 mW, Multi-Turn	T93YA470KT20	1
R3	Yageo	SMT Resistor 1 kΩ/100 mW, Size 0603	RC0603FR-071KL	1
R4	Yageo	SMT Resistor 200 kΩ/100 mW, Size 0603	RC0603FR-07200KL	1
R5	Yageo	SMT Resistor 0 Ω/125 mW, Size 0805	RC0805JR-070RL	1
K1	Tyco	2 Pin Header Connector 0.1" Pitch	640452-2	1

CAT4139AEVB

ON Semiconductor and  are registered trademarks of Semiconductor Components Industries, LLC (SCILLC). SCILLC reserves the right to make changes without further notice to any products herein. SCILLC makes no warranty, representation or guarantee regarding the suitability of its products for any particular purpose, nor does SCILLC assume any liability arising out of the application or use of any product or circuit, and specifically disclaims any and all liability, including without limitation special, consequential or incidental damages. "Typical" parameters which may be provided in SCILLC data sheets and/or specifications can and do vary in different applications and actual performance may vary over time. All operating parameters, including "Typicals" must be validated for each customer application by customer's technical experts. SCILLC does not convey any license under its patent rights nor the rights of others. SCILLC products are not designed, intended, or authorized for use as components in systems intended for surgical implant into the body, or other applications intended to support or sustain life, or for any other application in which the failure of the SCILLC product could create a situation where personal injury or death may occur. Should Buyer purchase or use SCILLC products for any such unintended or unauthorized application, Buyer shall indemnify and hold SCILLC and its officers, employees, subsidiaries, affiliates, and distributors harmless against all claims, costs, damages, and expenses, and reasonable attorney fees arising out of, directly or indirectly, any claim of personal injury or death associated with such unintended or unauthorized use, even if such claim alleges that SCILLC was negligent regarding the design or manufacture of the part. SCILLC is an Equal Opportunity/Affirmative Action Employer. This literature is subject to all applicable copyright laws and is not for resale in any manner.

PUBLICATION ORDERING INFORMATION

LITERATURE FULFILLMENT:

Literature Distribution Center for ON Semiconductor
P.O. Box 5163, Denver, Colorado 80217 USA
Phone: 303-675-2175 or 800-344-3860 Toll Free USA/Canada
Fax: 303-675-2176 or 800-344-3867 Toll Free USA/Canada
Email: orderlit@onsemi.com

N. American Technical Support: 800-282-9855 Toll Free
USA/Canada
Europe, Middle East and Africa Technical Support:
Phone: 421 33 790 2910
Japan Customer Focus Center
Phone: 81-3-5773-3850

ON Semiconductor Website: www.onsemi.com
Order Literature: <http://www.onsemi.com/orderlit>
For additional information, please contact your local
Sales Representative