



Chipsmall Limited consists of a professional team with an average of over 10 year of expertise in the distribution of electronic components. Based in Hongkong, we have already established firm and mutual-benefit business relationships with customers from,Europe,America and south Asia,supplying obsolete and hard-to-find components to meet their specific needs.

With the principle of “Quality Parts,Customers Priority,Honest Operation,and Considerate Service”,our business mainly focus on the distribution of electronic components. Line cards we deal with include Microchip,ALPS,ROHM,Xilinx,Pulse,ON,Everlight and Freescale. Main products comprise IC,Modules,Potentiometer,IC Socket,Relay,Connector.Our parts cover such applications as commercial,industrial, and automotives areas.

We are looking forward to setting up business relationship with you and hope to provide you with the best service and solution. Let us make a better world for our industry!



## Contact us

Tel: +86-755-8981 8866 Fax: +86-755-8427 6832

Email & Skype: info@chipsmall.com Web: www.chipsmall.com

Address: A1208, Overseas Decoration Building, #122 Zhenhua RD., Futian, Shenzhen, China



THIS DRAWING IS UNPUBLISHED.

RELEASED FOR PUBLICATION

ALL RIGHTS RESERVED.

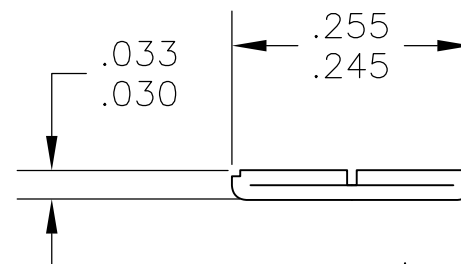
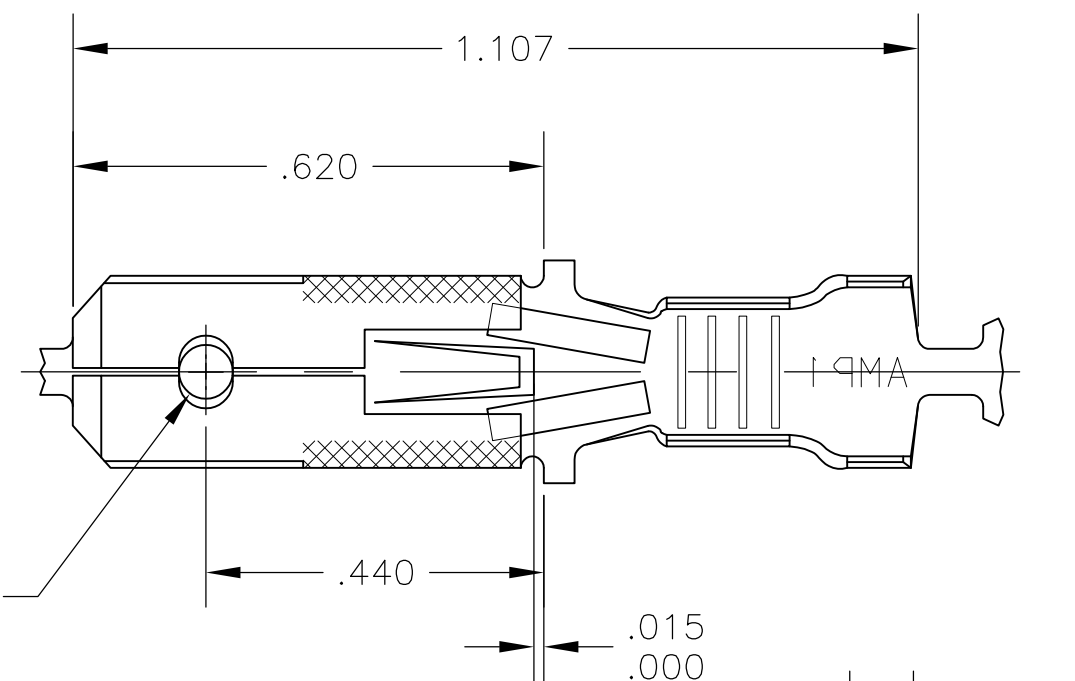
© COPYRIGHT - By -

LOC AF DIST 50

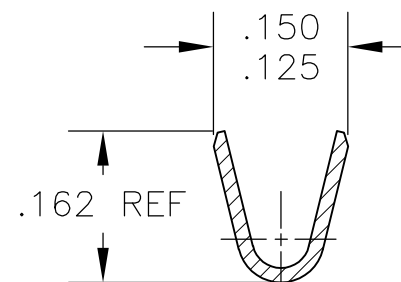
REVISIONS

P	LTR	DESCRIPTION	DATE	DWN	APVD
	AB	REVISED PER ECR-11-018063	21DEC11	KH	PD

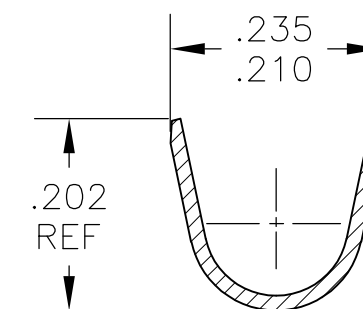
- 1 CONTINUOUS STRIP ON REELS.
- 2 WIRE SIZE IS #18-#14.
- 3 INSULATION RANGE IS .100-.170 DIA.
- 4 FOREIGN PRODUCTION ONLY.
- 5 PREPRODUCTION - FASR REQUIRED.
- 6 PRELIMINARY - NOT FOR PRODUCTION.



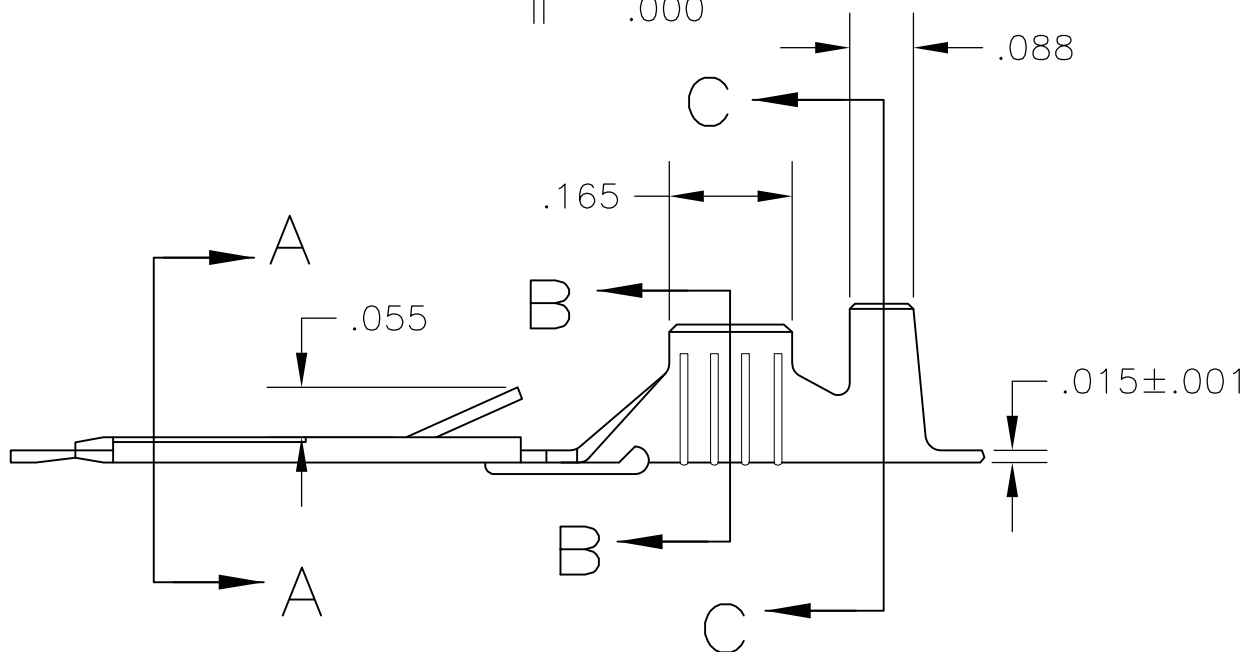
SECTION A-A SCALE 5:1



SECTION B-B SCALE 5:1



SECTION C-C SCALE 5:1



NICKEL	#2H BRASS	6	42460-9
PRE-TIN	#2H BRASS	4 5	42460-8
<del>OBSOLETE SILVER .000120 MIN</del>	<del>#2H BRASS</del>		<del>42460-7</del>
-	#2H PHOS BRZ		42460-6
PRE-TIN	#2H BRASS		42460-5
<del>OBSOLETE TIN .000080 MIN</del>	<del>#2H PHOS BRZ</del>		<del>42460-4</del>
SILVER .000120 MIN			42460-3
TIN	#2H BRASS		42460-2
-			42460-1
FINISH	MATERIAL		PART NO

THIS DRAWING IS A CONTROLLED DOCUMENT.		DWN JR RUTH 9/17/90	<b>STE</b> TE Connectivity	
DIMENSIONS: INCHES		CHK MS FEHER 9/17/90		
TOLERANCES UNLESS OTHERWISE SPECIFIED:		APVD R KUZO 9/17/90	NAME	
0 PLC ± -		PRODUCT SPEC	TAB, FASTIN-FASTON, .250 SERIES	
1 PLC ± -		-	SIZE CAGE CODE DRAWING NO RESTRICTED TO	
2 PLC ± -		APPLICATION SPEC	A3 00779 C-42460	
3 PLC ± .015		-	SCALE 4:1 SHEET 1 OF 1 REV AB	
4 PLC ± -		WEIGHT -		
ANGLES ± -		CUSTOMER DRAWING		
MATERIAL SEE TABLE		FINISH SEE TABLE		