



Chipsmall Limited consists of a professional team with an average of over 10 year of expertise in the distribution of electronic components. Based in Hongkong, we have already established firm and mutual-benefit business relationships with customers from,Europe,America and south Asia,supplying obsolete and hard-to-find components to meet their specific needs.

With the principle of "Quality Parts,Customers Priority,Honest Operation,and Considerate Service",our business mainly focus on the distribution of electronic components. Line cards we deal with include Microchip,ALPS,ROHM,Xilinx,Pulse,ON,Everlight and Freescale. Main products comprise IC,Modules,Potentiometer,IC Socket,Relay,Connector.Our parts cover such applications as commercial,industrial, and automotives areas.

We are looking forward to setting up business relationship with you and hope to provide you with the best service and solution. Let us make a better world for our industry!



Contact us

Tel: +86-755-8981 8866 Fax: +86-755-8427 6832

Email & Skype: info@chipsmall.com Web: www.chipsmall.com

Address: A1208, Overseas Decoration Building, #122 Zhenhua RD., Futian, Shenzhen, China



8 7 6 5 4 3 2 1

H H

G G

F F

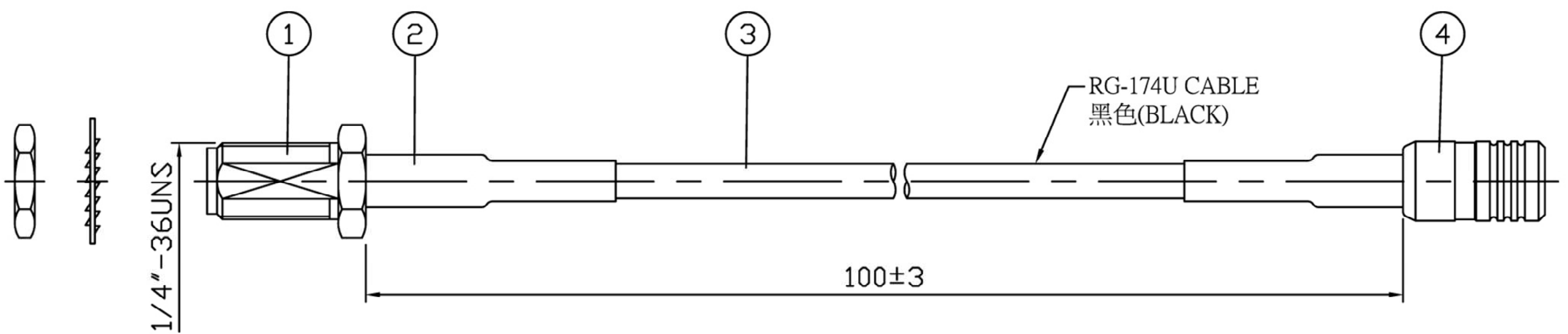
E E

D D

C C

B B

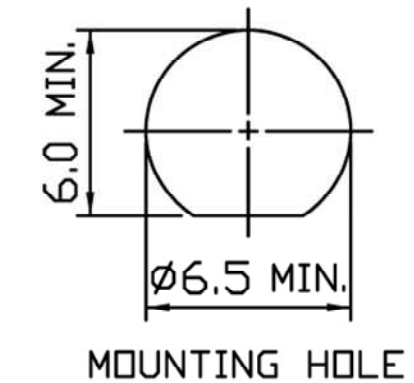
A A



RG-174U CABLE
黑色(BLACK)

1/4"-36UNS

100±3



- Notes**
1. SMA (F) Bulkhead Straight
 2. Heatshrink
 3. RG174U Cable
 4. SMB (F) Straight
 5. Impedance 50ohm
 6. Frequency Range 0 -1GHz

NOT TO SCALE

All Dimensions in mm



DESCRIPTION				
Cable Assy SMA(F) Bulkhead straight to SMB(F) straight plug cable Assy 100mm				
FILENAME	DRAWN BY	DATE	REVISED	PAGE
CBA-SMA-SMB1.VSD	John Fairall		01/08/2012	1 of 1
REVISIONS				
ZONE	REV	DESCRIPTION	DATE	APPROVED
N/A	1	First Issue	1.8.09	
	2	Update to SMB to show Female	30/7/12	JF
	3			
	4			
	5			
	6			

8 7 6 5 4 3 2 1