



Chipsmall Limited consists of a professional team with an average of over 10 year of expertise in the distribution of electronic components. Based in Hongkong, we have already established firm and mutual-benefit business relationships with customers from,Europe,America and south Asia,supplying obsolete and hard-to-find components to meet their specific needs.

With the principle of "Quality Parts,Customers Priority,Honest Operation,and Considerate Service",our business mainly focus on the distribution of electronic components. Line cards we deal with include Microchip,ALPS,ROHM,Xilinx,Pulse,ON,Everlight and Freescale. Main products comprise IC,Modules,Potentiometer,IC Socket,Relay,Connector.Our parts cover such applications as commercial,industrial, and automotives areas.

We are looking forward to setting up business relationship with you and hope to provide you with the best service and solution. Let us make a better world for our industry!



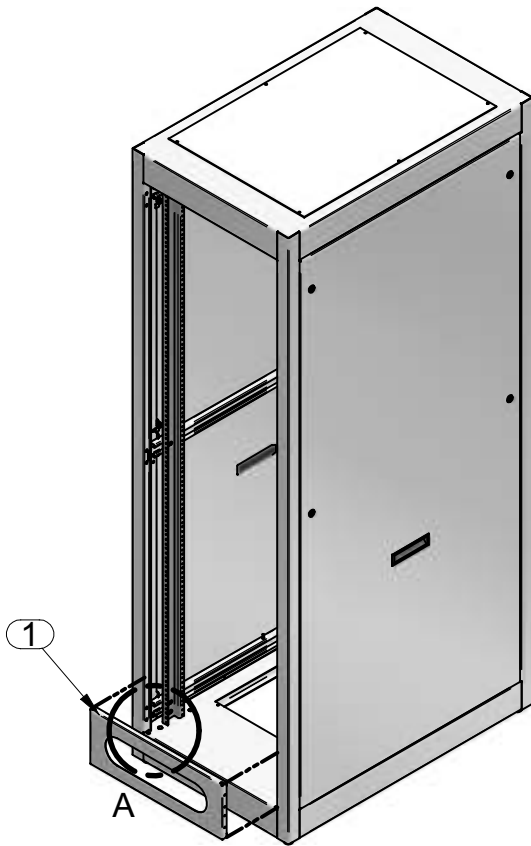
Contact us

Tel: +86-755-8981 8866 Fax: +86-755-8427 6832

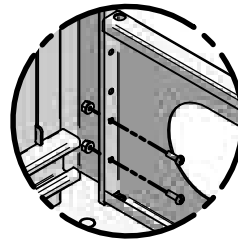
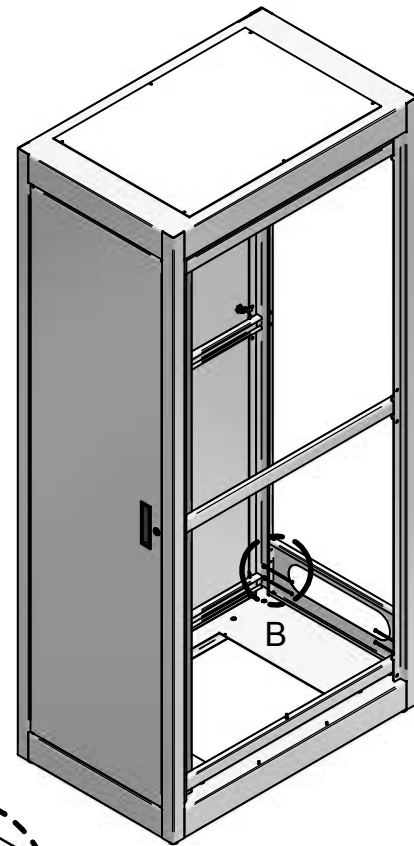
Email & Skype: info@chipsmall.com Web: www.chipsmall.com

Address: A1208, Overseas Decoration Building, #122 Zhenhua RD., Futian, Shenzhen, China



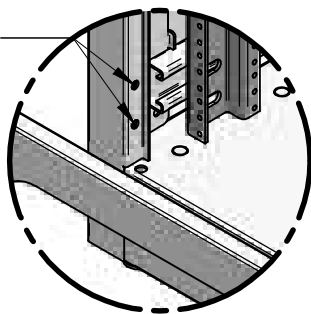


Placement of CCE



DETAIL B

Holes to knock out



DETAIL A

ASSEMBLY INSTRUCTIONS:

- A) Ensure all parts are available. See BOM list.
- B) Remove the 4 knock out holes located at the bottom of frame opening (use proper striking tool). Detail A shows location of knock out holes
- C) Line up CCE at the base of the cabinet so the holes line up with the K.O. holes. Install screws supplied from the inside of the CCE and fasten using nut supplied (Detail B).
- D) If additional support is desired, then drill one 1/4" hole on each side using CCE as a template and fasten additional hardware supplied

PARTS LIST

ITEM No.	DESCRIPTION	QTY
1	CCE---BK1	1
2	SCREW 8-32 X 1/2 LG	6
3	NUT 8-32 KEPS	6

TOOL BOX



Flat Head
Screw Driver



Hammer



Striking
Tool



HAMMOND
MANUFACTURING™
ELECTRONICS GROUP

visit our website @ www.hammondmfg.com