



Chipsmall Limited consists of a professional team with an average of over 10 year of expertise in the distribution of electronic components. Based in Hongkong, we have already established firm and mutual-benefit business relationships with customers from,Europe,America and south Asia,supplying obsolete and hard-to-find components to meet their specific needs.

With the principle of “Quality Parts,Customers Priority,Honest Operation,and Considerate Service”,our business mainly focus on the distribution of electronic components. Line cards we deal with include Microchip,ALPS,ROHM,Xilinx,Pulse,ON,Everlight and Freescale. Main products comprise IC,Modules,Potentiometer,IC Socket,Relay,Connector.Our parts cover such applications as commercial,industrial, and automotives areas.

We are looking forward to setting up business relationship with you and hope to provide you with the best service and solution. Let us make a better world for our industry!



Contact us

Tel: +86-755-8981 8866 Fax: +86-755-8427 6832

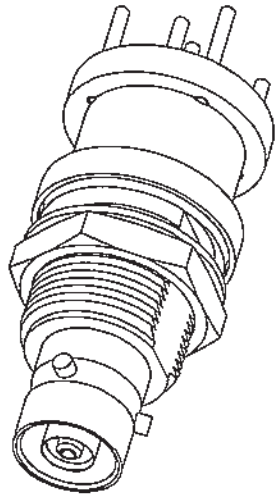
Email & Skype: info@chipsmall.com Web: www.chipsmall.com

Address: A1208, Overseas Decoration Building, #122 Zhenhua RD., Futian, Shenzhen, China

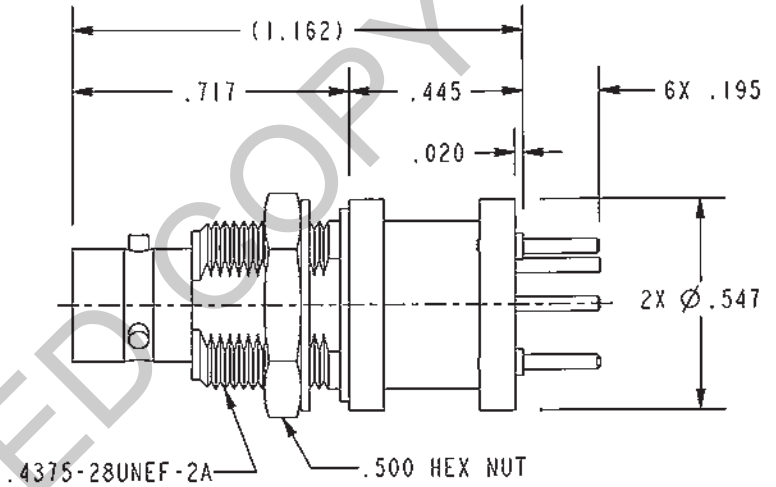
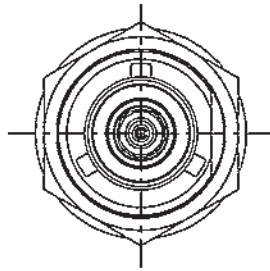


DATA CONTAINED IN THIS DOCUMENT IS PROPRIETARY TO TROMPETER ELECTRONICS INC. AND SHALL NOT BE DISCLOSED, COPIED OR USED FOR PROCUREMENT OR MANUFACTURE WITHOUT EXPRESS WRITTEN PERMISSION.

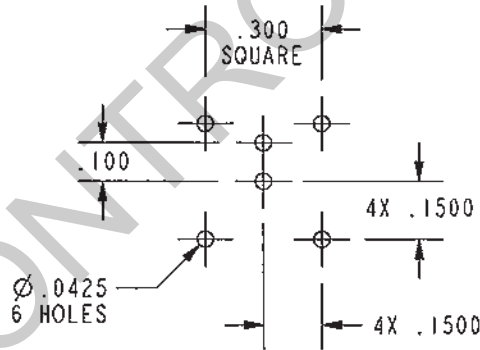
REVISIONS			
REV	DESCRIPTIONS	DATE	APPROVED
D	REVISED PER ECO 14990	3/20/03	WSJ



RED INDICATES ORIGINAL

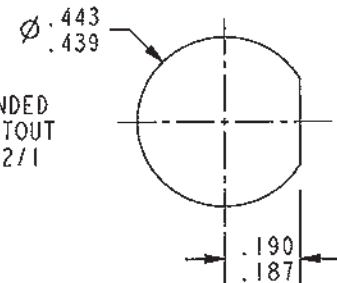


SCALE 2/1




RECOMMENDED MTG HOLE PATTERN SCALE 2/1

RECOMMENDED PANEL CUTOUT SCALE 2/1



- MAX PANEL THICKNESS .250
- FINISH-
BODY: TFS-1A (NICKEL)
CONDUCTORS: TFS-1B (GOLD)
LEGS: TFS-1T (TIN 90/10)
- SUBMINIATURE TRS REAR MOUNT PC BOARD BULKHEAD RECEPTACLE

NOTES: UNLESS OTHERWISE SPECIFIED.

INTERPRET DRAWING PER MIL-STD-100. DIMENSIONS ARE IN INCHES AND INCLUDE FINISH THICKNESS UNLESS OTHERWISE SPECIFIED.		TOL: UNLESS SPECIFIED. .XX ± .01 .XXX ± .003 .XXXX ± .0010 ANGLE ± 1° 00' CRITICAL		 <p>TROMPETER RF connectivity <small>a cinch connectivity solutions brand</small></p>	
DRAWN JCM	DATE 3-19-03	MATERIAL:	TITLE:		
CHK AAW	DATE 3-19-03	FINISH:	CBBJ159		
QUALITY	DATE 3/20/03	SEE NOTE 2			
APPROVED WSJ	DATE 3/20/03	SIZE A	CAGE CODE 14949	DRAWING NO. 3-0306	REV. D
NEXT ASSY	PROJECT/DATE NO. 3-0306	DO NOT SCALE DWG	SCALE 2/1	DATE 11-2-98	SHEET IC