



Chipsmall Limited consists of a professional team with an average of over 10 year of expertise in the distribution of electronic components. Based in Hongkong, we have already established firm and mutual-benefit business relationships with customers from,Europe,America and south Asia,supplying obsolete and hard-to-find components to meet their specific needs.

With the principle of "Quality Parts,Customers Priority,Honest Operation,and Considerate Service",our business mainly focus on the distribution of electronic components. Line cards we deal with include Microchip,ALPS,ROHM,Xilinx,Pulse,ON,Everlight and Freescale. Main products comprise IC,Modules,Potentiometer,IC Socket,Relay,Connector.Our parts cover such applications as commercial,industrial, and automotives areas.

We are looking forward to setting up business relationship with you and hope to provide you with the best service and solution. Let us make a better world for our industry!



Contact us

Tel: +86-755-8981 8866 Fax: +86-755-8427 6832

Email & Skype: info@chipsmall.com Web: www.chipsmall.com

Address: A1208, Overseas Decoration Building, #122 Zhenhua RD., Futian, Shenzhen, China



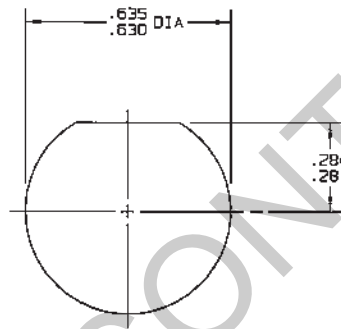
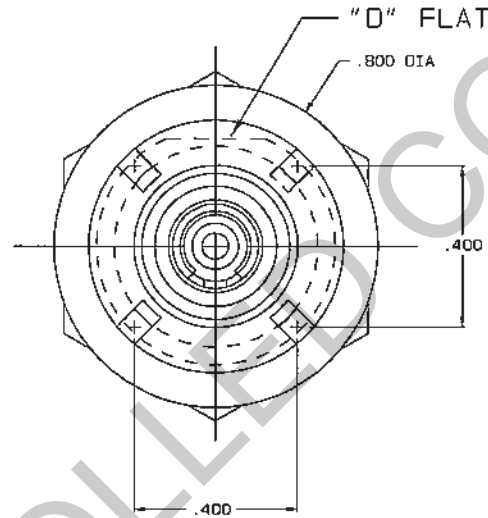
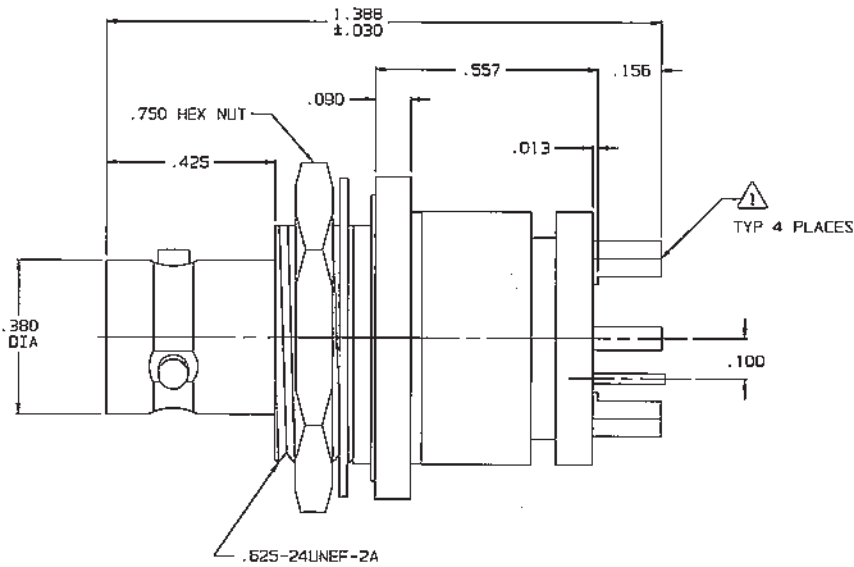
DATA CONTAINED IN THIS DOCUMENT IS PROPRIETARY TO TROMPETER ELECTRONICS INC. AND SHALL NOT BE DISCLOSED, COPIED OR USED FOR PROCUREMENT OR MANUFACTURE WITHOUT EXPRESS WRITTEN PERMISSION OF TROMPETER ELECTRONICS INC.

REVISIONS

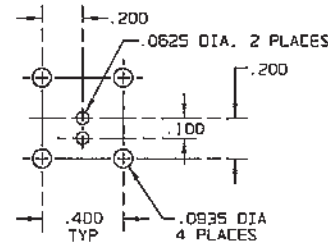
3-0282

SH 1

REV	DESCRIPTION	DATE	APPROVED
C	REVISED PER ECO #15165	11/6/03	<i>WJG</i>



RECOMMENDED
PANEL CUTOUT



RECOMMENDED
MTG HOLE PATT
SCALE: NONE

RED INDICATES ORIGINAL

4. MAXIMUM PANEL THICKNESS .109

3. FEMALE 3-LUG CONCENTRIC TWINAX / TRIAX CIRCUIT BOARD AND INSULATING BULKHEAD MOUNT RECEPTACLE

2. FINISH: YFS-1A (NICKEL)

⚠ PRE-TINNED, .0015 MAXIMUM THICKNESS WITH SN63 OR EQUIV SOLDER, PER BG-S-571, TO WITHIN .060 MAXIMUM OF SHOULDER, AFTER PLATING

INTERPRET DRAWING PER MIL-STD-100 DIMENSIONS ARE IN THICKS AND INCLUDE FINISH THICKNESS UNLESS OTHERWISE SPECIFIED

TOL: UNLESS SPECIFIED
.XX
.XXX ±.005
.XXXX ±.0010
ANGLES

DRAWN	DATE	MATERIAL:
PD	11-04-03	
CHECKED		
<i>T.Kha</i>	11-4-03	
QUALITY		
<i>WJG</i>	11/6/03	
FINISH:		
<i>WJG</i>	11/6/03	
APPROVED		
<i>WJG</i>	11/6/03	

TROMPETER
RF connectivity
a cinch connectivity solutions brand

TITLE: CBBJ74			
SIZE	EAGE CODE	DRAWING NO.	REV.
A	14949	3-0282	C
SCALE	DATE:	SHEET	
4/1	5-20-92	1C	

NEXT ASSY CAD FILE NO. 3-0282C DO NOT SCALE DRG