



Chipsmall Limited consists of a professional team with an average of over 10 year of expertise in the distribution of electronic components. Based in Hongkong, we have already established firm and mutual-benefit business relationships with customers from,Europe,America and south Asia,supplying obsolete and hard-to-find components to meet their specific needs.

With the principle of “Quality Parts,Customers Priority,Honest Operation,and Considerate Service”,our business mainly focus on the distribution of electronic components. Line cards we deal with include Microchip,ALPS,ROHM,Xilinx,Pulse,ON,Everlight and Freescale. Main products comprise IC,Modules,Potentiometer,IC Socket,Relay,Connector.Our parts cover such applications as commercial,industrial, and automotives areas.

We are looking forward to setting up business relationship with you and hope to provide you with the best service and solution. Let us make a better world for our industry!



## Contact us

Tel: +86-755-8981 8866 Fax: +86-755-8427 6832

Email & Skype: info@chipsmall.com Web: www.chipsmall.com

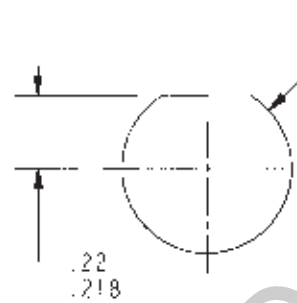
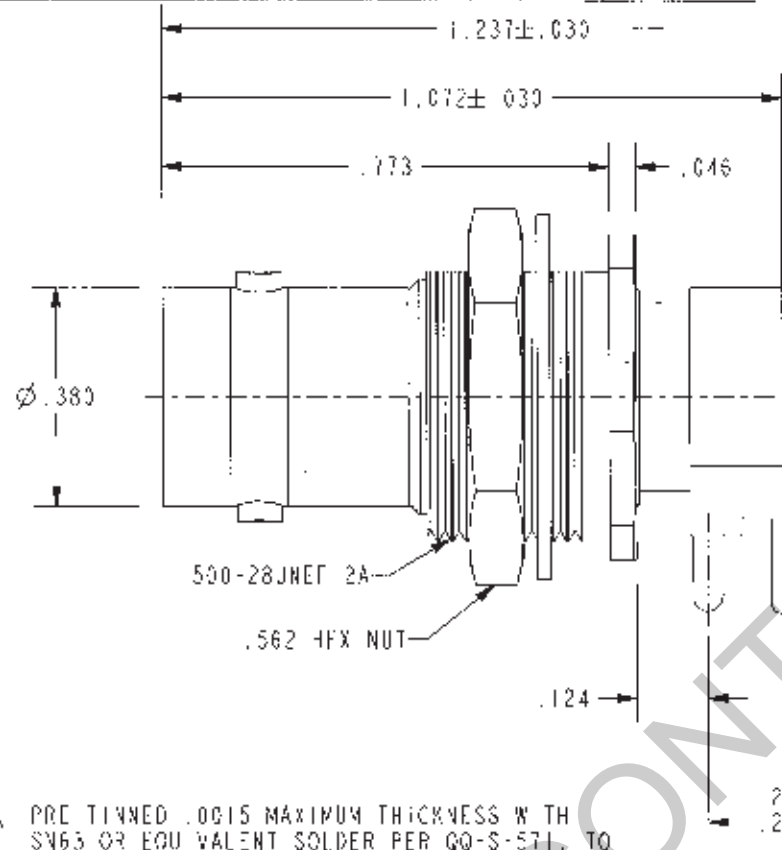
Address: A1208, Overseas Decoration Building, #122 Zhenhua RD., Futian, Shenzhen, China



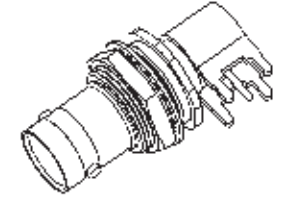
DASH NUMBER	MODEL NUMBER	LETTER CODE	MFD Ω	A DIA	B DIM	C DIM	D DIM	E DIA
-1	CBBJR26		50	.046	.24	.090	.050	.0625
-2	UCHBJR26		75	.029				
-3	CHBJR26A	A	50	.046	.34	.090	.058	.070
-4	JCBBJR26A		75	.029				

DATA CONTAINED IN THIS DOCUMENT IS PROPRIETARY TO TROMPETER ELECTRONICS INC. AND SHALL NOT BE DISCLOSED, COPIED OR REPRODUCED FOR PROCUREMENT OR MANUFACTURE WITHOUT EXPRESS WRITTEN PERMISSION.

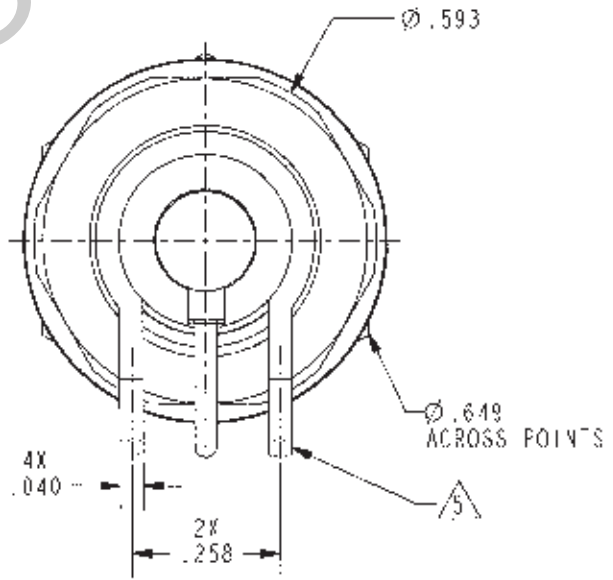
REVISIONS			
REV	DESCRIPTIONS	DATE	APPROVED
E	REVISED PER ECO .6623	7-18-08	[Signature]



RECOMMENDED PANEL CUTOUT SCALE 2/1



SCALE 1/1



-1 SHOWN

**RED INDICATES ORIGINAL**

5. PRE TINNED .0015 MAXIMUM THICKNESS WITH SV63 OR EQUIVALENT SOLDER PER QQ-S-571, TO WITHIN .0060 MAXIMUM OF SHOULDER AFTER PLATING

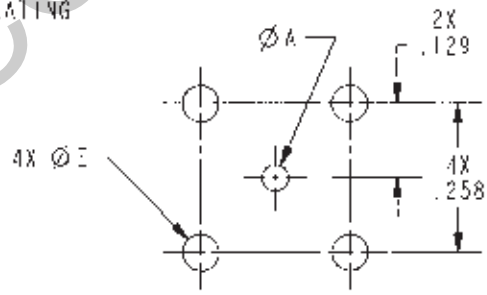
- 4. MAXIMUM PANEL THICKNESS .156
- 3. EXAMPLE OF COMPLETE MODEL NUMBER: CBBJR26 A

BASIC MODEL NUMBER      LETTER CODE


2. FINISH: TFS-1A (NICKEL)

1. 50 & 75 Ω RIGHT ANGLE CIRCUIT BOARD AND INSULATED BULKHEAD MOUNTING BNC RECEPTACLE

NOTES UNLESS OTHERWISE SPECIFIED



RECOMMENDED MFG HOLE PATTERN SCALE 3/1

INTERFACE DRAWING PER MIL-STD-100. DIMENSIONS ARE IN INCHES AND INCLUDE FINISH THICKNESS UNLESS OTHERWISE SPECIFIED.	10. UNLESS SPECIFIED: FX ± .02 LX ± .000 ANGLE ± 1°	 <p>a cinch connectivity solutions brand</p>
DATE: 5/15/06 CHK: gm CMTY:	TITLE: L/CBBJR26/A	
PROJ:	FINISH:	SIZE: A
DATE: 7/17/08	DATE: 10-30-04	DRWG NO: 1-0053
PROJ TITLE: 1-0053	SCALE: 3/1	SHEET: 1C