



Chipsmall Limited consists of a professional team with an average of over 10 year of expertise in the distribution of electronic components. Based in Hongkong, we have already established firm and mutual-benefit business relationships with customers from,Europe,America and south Asia,supplying obsolete and hard-to-find components to meet their specific needs.

With the principle of “Quality Parts,Customers Priority,Honest Operation,and Considerate Service”,our business mainly focus on the distribution of electronic components. Line cards we deal with include Microchip,ALPS,ROHM,Xilinx,Pulse,ON,Everlight and Freescale. Main products comprise IC,Modules,Potentiometer,IC Socket,Relay,Connector.Our parts cover such applications as commercial,industrial, and automotives areas.

We are looking forward to setting up business relationship with you and hope to provide you with the best service and solution. Let us make a better world for our industry!



Contact us

Tel: +86-755-8981 8866 Fax: +86-755-8427 6832

Email & Skype: info@chipsmall.com Web: www.chipsmall.com

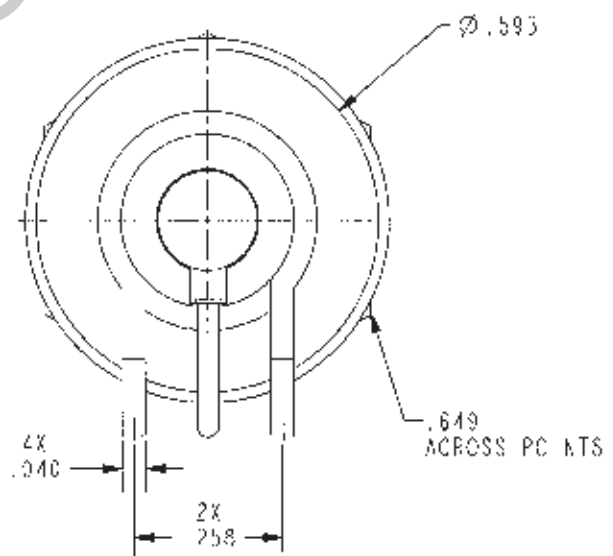
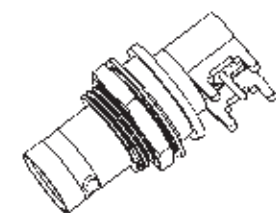
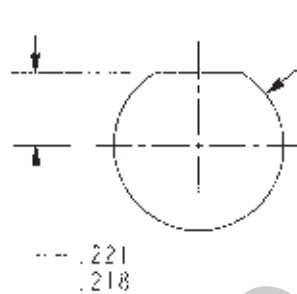
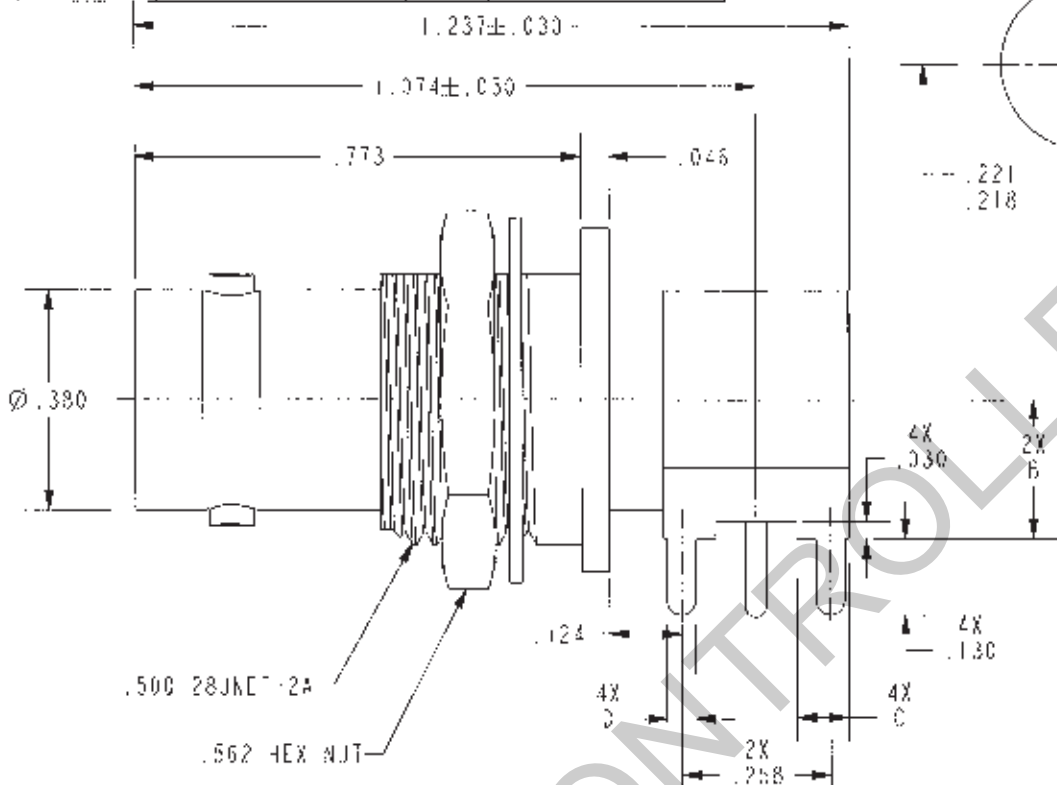
Address: A1208, Overseas Decoration Building, #122 Zhenhua RD., Futian, Shenzhen, China



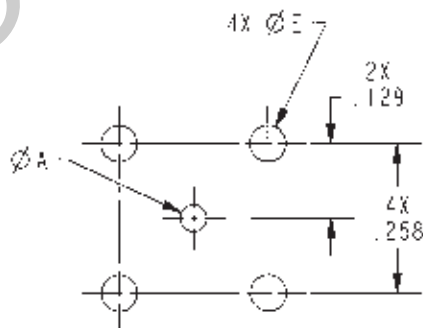
DASH NUMBER	MODEL NUMBER	LETTER CODE	IMPEDANCE Ω	A DIA	B DIM	C DIM	D DIM	F DIA
1	CBBJR29		50	.046	24	.090	.050	.0625
2	UCBBJR29		75	.029				
3	CBBJR29A	A	50	.046	.34	.090	.058	.010
4	UCBBJR29A		75	.029				

DATA CONTAINED IN THIS DOCUMENT IS PROPRIETARY TO TROMPETER ELECTRONICS INC. AND SHALL NOT BE DISCLOSED, COPIED OR USED FOR REPRODUCTION OF MANUFACTURE WITHOUT EXPRESS WRITTEN PERMISSION.

REVISIONS			
REV	DESCRIPTIONS	DATE	APPROVED
6	REVISED PER ECO 6629	7-18-08	[Signature]



- MAXIMUM PANEL THICKNESS .179
- EXAMPLE OF COMPLETE MODEL NUMBER:
CBBJR29 A
BAS C MODEL NUMBER LETTER CODE
- FINISH: TFS-1A (NICKEL)
- 50 & 75 Ω RIGHT ANGLE CIRCUIT BOARD AND BULKHEAD MOUNTING BNC RECEPTACLE



NOT SHOWN RED INDICATES ORIGINAL

NOTES: UNLESS OTHERWISE SPECIFIED.

INTERPRET DRAWING PER MIL-STD-100 DIMENSIONS ARE IN INCHES AND INCLUDE FINISH THICKNESS UNLESS OTHERWISE SPECIFIED.		TOL. UNLESS SPECIFIED: XX + .02 XXX ± .00 ANGLE + 1°			
MATERIAL:		FINISH:			
DATE: 5-19-08	BY: [Signature]	SIZE - CAGE CODE: A 14949		DRAWING NO.: 1-0052	
DATE: 6-23-08		SCALE: 3/1		DATE: 8-10-00	
DATE: 7/17/08		DO NOT SCALE DIMS		SHEET: 10	
PART NO: 0052		SCALE: 3/1		DATE: 8-10-00	