



Chipsmall Limited consists of a professional team with an average of over 10 year of expertise in the distribution of electronic components. Based in Hongkong, we have already established firm and mutual-benefit business relationships with customers from,Europe,America and south Asia,supplying obsolete and hard-to-find components to meet their specific needs.

With the principle of "Quality Parts,Customers Priority,Honest Operation,and Considerate Service",our business mainly focus on the distribution of electronic components. Line cards we deal with include Microchip,ALPS,ROHM,Xilinx,Pulse,ON,Everlight and Freescale. Main products comprise IC,Modules,Potentiometer,IC Socket,Relay,Connector.Our parts cover such applications as commercial,industrial, and automotives areas.

We are looking forward to setting up business relationship with you and hope to provide you with the best service and solution. Let us make a better world for our industry!



## Contact us

Tel: +86-755-8981 8866 Fax: +86-755-8427 6832

Email & Skype: info@chipsmall.com Web: www.chipsmall.com

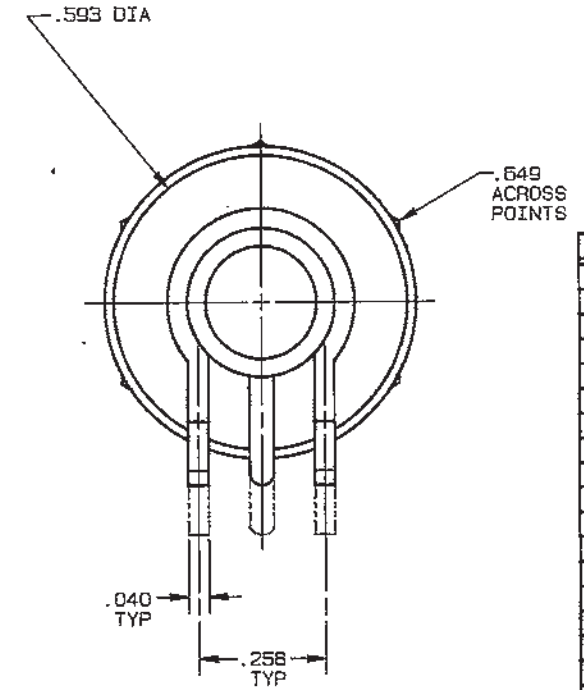
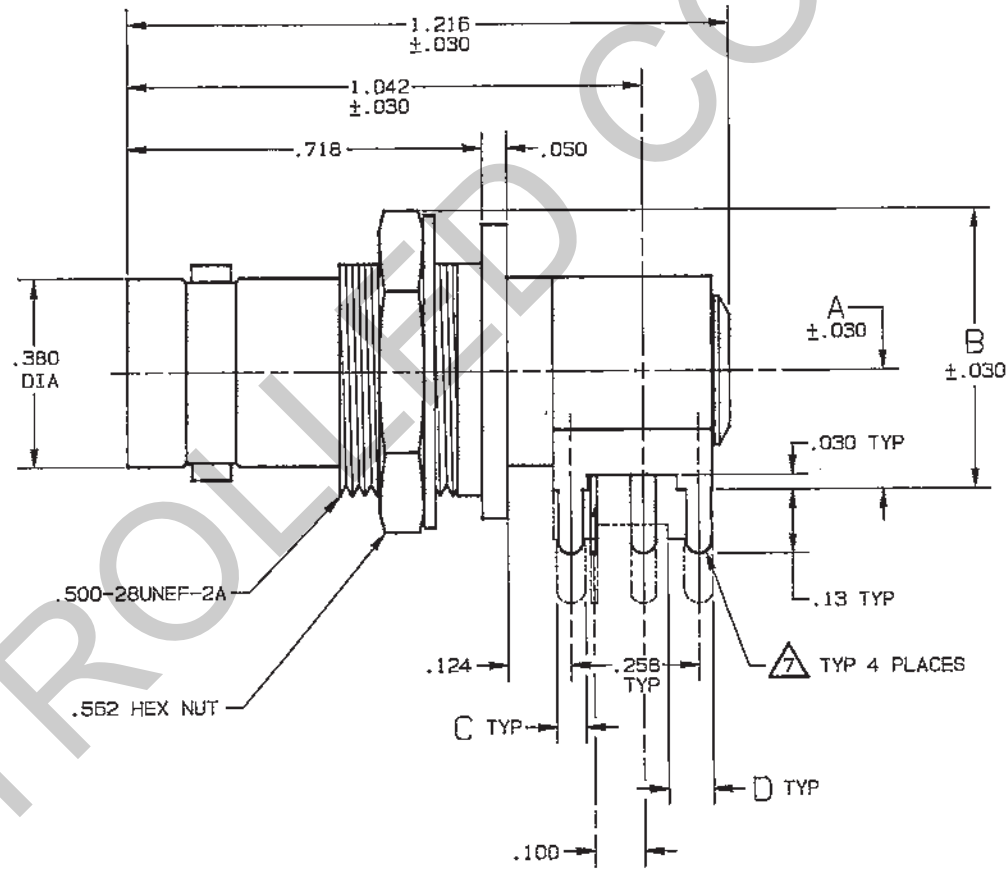
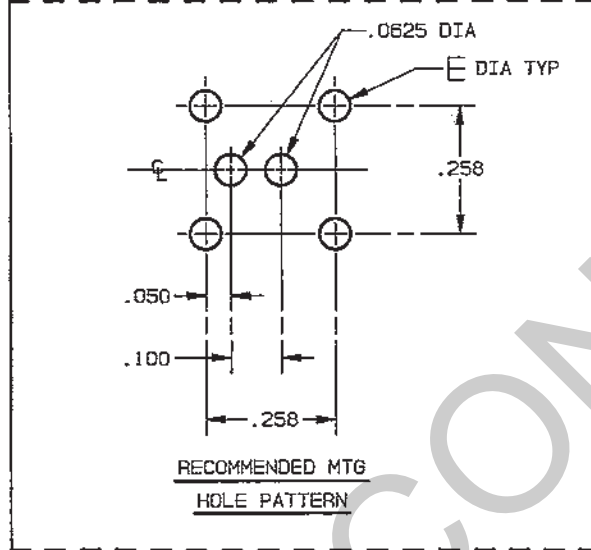
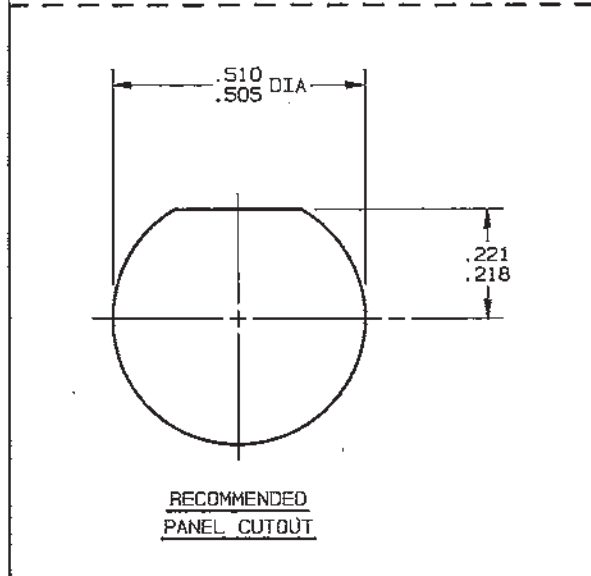
Address: A1208, Overseas Decoration Building, #122 Zhenhua RD., Futian, Shenzhen, China



DISK # H 9	DWG SIZE C	DATA CONTAINED IN THIS DOCUMENT IS PROPRIETARY TO TROMPETER ELECTRONICS INC. AND SHALL NOT BE DISCLOSED, COPIED OR USED FOR PROCUREMENT OR MANUFACTURE WITHOUT EXPRESS WRITTEN PERMISSION.	REVISIONS			3-0273	SH 1
			REV	EO	DESCRIPTION	DWN	APPROVED
			E	9495	-1 AND -2 .090 WAS .070	AAH	10-28-91

DASH NO	MODEL NO	LTR CODE	A DIM	B DIM	C DIM	D DIM	E DIA
-1	CBBJR79TL		.24	.565	.050	.090	.0625
-2	CBBJR79TLA	A	.34	.665	.058	.090	.070

RED INDICATES ORIGINAL



INCH	MM
.0010	0.03
.0015	0.04
.005	0.13
.030	0.76
.040	1.02
.050	1.27
.058	1.47
.060	1.52
.0625	1.59
.070	1.78
.090	2.29
.100	2.54
.124	3.15
.125	3.18
.13	3.30
.218	5.54
.221	5.61
.24	6.10
.258	6.55
.34	8.64
.380	9.65
.505	12.83
.510	12.95
.562	14.27
.565	14.35
.593	15.06
.649	16.48
.665	16.89
.718	18.24
1.042	26.47
1.216	30.89

- 7. PRE-TINNED, .0015 MAXIMUM THICKNESS WITH SN63 OR EQUIV SOLDER, PER QQ-S-571, TO WITHIN .060 MAXIMUM OF SHOULDER, AFTER PLATING
- 6. MAX PNL THK .125
- 5. LTR CODE "A" SHOWN IN PHANTOM
- 4. EXAMPLE OF COMPLETE MODEL NO:  
CBBJR79TL A LTR CODE (SEE TABLE) 5  
BASIC MODEL NO (SEE TABLE)
- 3. FINISH: TFS-1A (NICKEL)
- 2. CONCENTRIC TWINAX/TRIAX RIGHT ANGLE CIRCUIT BOARD AND BULKHEAD MOUNTING 2-LUG TRB SERIES RECEPTACLE
- 1. ALL DIM ARE IN INCHES

QTY	DESCRIPTION	PART NUMBER	ITEM
TOL UNLESS SPECIFIED .XX ± .XXX ±.005 .XXXX ±.0010 ANGLE±	<b>TROMPETER</b> RF connectivity	CBBJR79TL / A	
DWN AAH 10-17-91	MATERIAL	CODE IDENT 14949	DRAWING NO. 3-0273
CHK BHH 10-2-91			REV E
ENGR KQ 10-28-91	SCALE 4/1	DATE 12-4-85	SHEET 1 OF 2
NEXT ASSY	APPR		