



Chipsmall Limited consists of a professional team with an average of over 10 year of expertise in the distribution of electronic components. Based in Hongkong, we have already established firm and mutual-benefit business relationships with customers from,Europe,America and south Asia,supplying obsolete and hard-to-find components to meet their specific needs.

With the principle of “Quality Parts,Customers Priority,Honest Operation,and Considerate Service”,our business mainly focus on the distribution of electronic components. Line cards we deal with include Microchip,ALPS,ROHM,Xilinx,Pulse,ON,Everlight and Freescale. Main products comprise IC,Modules,Potentiometer,IC Socket,Relay,Connector.Our parts cover such applications as commercial,industrial, and automotives areas.

We are looking forward to setting up business relationship with you and hope to provide you with the best service and solution. Let us make a better world for our industry!



## Contact us

Tel: +86-755-8981 8866 Fax: +86-755-8427 6832

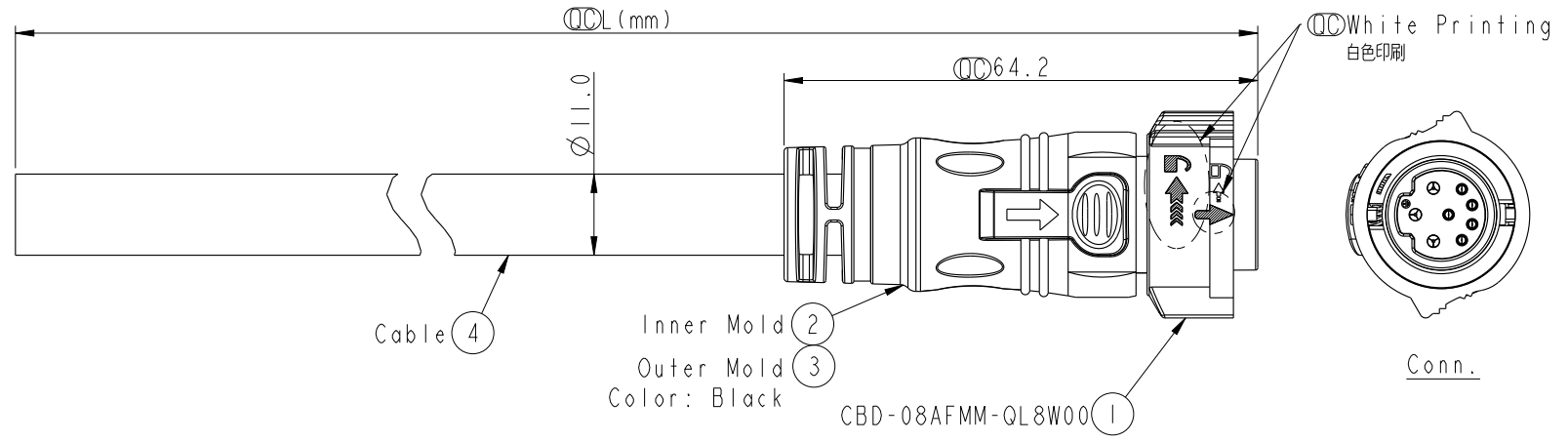
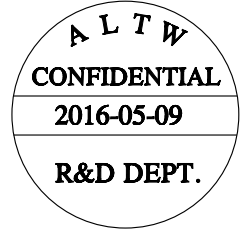
Email & Skype: info@chipsmall.com Web: www.chipsmall.com

Address: A1208, Overseas Decoration Building, #122 Zhenhua RD., Futian, Shenzhen, China

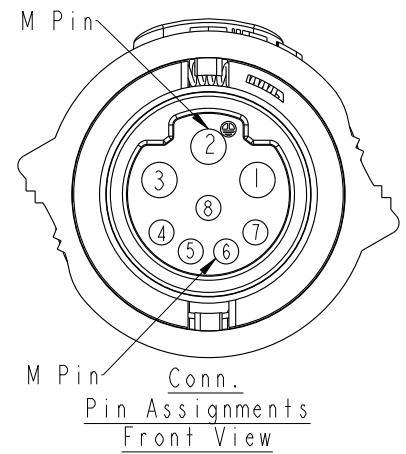


THIS DOCUMENT IS SUBJECT TO CHANGE WITHOUT NOTICE. IT IS CONFIDENTIAL AND A PROPERTY OF Amphenol LTW. DISCLOSURE TO THIRD PARTY HAS TO BE AUTHORIZED BY Amphenol LTW.

REV.	ECN NO.	DATE	SIGN	DESCRIPTION
A	Initial Release	2016-05-09	Spring	Change Rev.01 To Rev.A



- Note:
- \*  $\varnothing$  Important Dimension To Check.
  - \* Waterproof Rate: IP68(Mated, 1M/24hr)
  - \* Working Voltage Rating:  
Power AC/DC 300V  
Data DC 30V
  - \* Working Current:  
Power: 10A  
Data: 05A
  - \* Housing: Nylon+GF, Black
  - \* Pins: Copper Alloy, Gold & Ni Plated
  - \* Cable: UL21996 3C\*16AWG+(26#\*2P+D+AL)+F+AL/MY, PVC Jacket, OD=11.0, Black.
  - \* Cable Length Tolerance: 01M:±40mm  
02M~05M:±60mm  
06M~10M:±100mm  
11M~30M:±200mm  
31M~99M:±500mm



8	Drain	(26AWG)	地線	Twist 對線
7	Blue	(26AWG)	藍	
6	Red	(26AWG)	紅	Twist 對線
5	Green	(26AWG)	綠	
4	White	(26AWG)	白	
3	Black	(16AWG)	黑	
2	Green	(16AWG)	綠	
1	White	(16AWG)	白	
Conn.	Wire Color			
Pin Out				

CBD-08AFMM-QL8FXX  
 ↑  
 XX : 01~99Meters  
 01 : 01Meter  
 02 : 02Meters  
 :  
 :  
 99 : 99Meters  
 Cable Length(L): 01~99Meters

UNIT:mm	
TOLERANCE	±0.5

TITLE X-Lok C Size Cable Molding 8 Pin F Connector M Pin			
SCALE 1:1	SIZE A4	SHEET 1 OF 1	
REV. A	WC-REV. A.1	$\varnothing$ : Inspection item	

**Amphenol LTW**  
 安費諾亮泰企業股份有限公司

ITEM NO	DRAWN BY Spring	DATE 2016-05-09
DWG NO CBD-08AFMM-QL8FXX	CHECKED BY Fisher	DATE 2016-05-09
CUSTOMER ALTW	APPROVED BY Kevin	DATE 2016-05-09