



Chipsmall Limited consists of a professional team with an average of over 10 year of expertise in the distribution of electronic components. Based in Hongkong, we have already established firm and mutual-benefit business relationships with customers from,Europe,America and south Asia,supplying obsolete and hard-to-find components to meet their specific needs.

With the principle of “Quality Parts,Customers Priority,Honest Operation,and Considerate Service”,our business mainly focus on the distribution of electronic components. Line cards we deal with include Microchip,ALPS,ROHM,Xilinx,Pulse,ON,Everlight and Freescale. Main products comprise IC,Modules,Potentiometer,IC Socket,Relay,Connector.Our parts cover such applications as commercial,industrial, and automotives areas.

We are looking forward to setting up business relationship with you and hope to provide you with the best service and solution. Let us make a better world for our industry!



Contact us

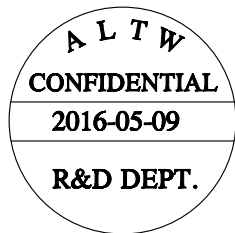
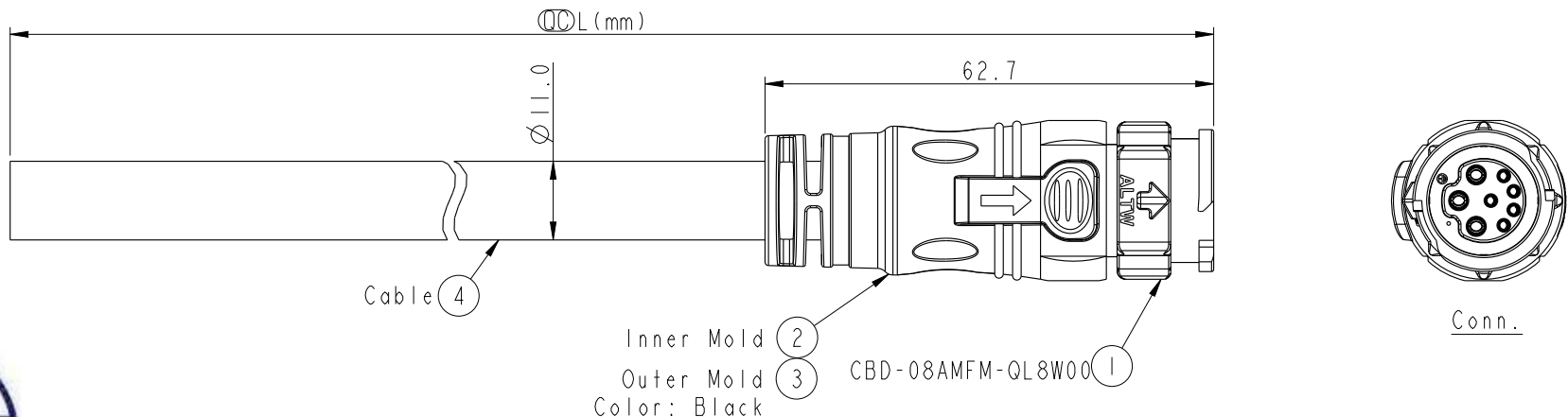
Tel: +86-755-8981 8866 Fax: +86-755-8427 6832

Email & Skype: info@chipsmall.com Web: www.chipsmall.com

Address: A1208, Overseas Decoration Building, #122 Zhenhua RD., Futian, Shenzhen, China



| | | | | |
|------|-----------------|------------|--------|------------------------|
| REV. | ECN NO. | DATE | SIGN | DESCRIPTION |
| A | Initial Release | 2016-05-09 | Spring | Change Rev.01 To Rev.A |

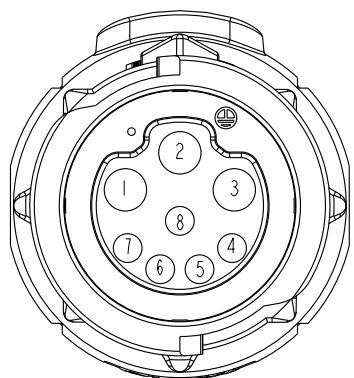


Inner Mold (2)
Outer Mold (3)
Color: Black

CBD-08AMFM-QL8W00 (1)

Note:

- * \varnothing Important Dimension To Check.
- * Waterproof Rate: IP68(Mated, 1M/24hr)
- * Working Voltage Rating:
Power AC/DC 300V
Data DC 30V
- * Working Current:
Power: 10A
Data: 05A
- * Housing: Nylon+GF, Black
- * Pins: Copper Alloy, Gold & Ni Plated
- * Cable: UL21996 3C*16AWG+(26#*2P+D+AL)+F+AL/MY, PVC Jacket, OD=11.0, Black.
- * Cable Length Tolerance: 01M:±40mm
02M~05M:±60mm
06M~10M:±100mm
11M~30M:±200mm
31M~99M:±500mm



Pin Assignments
Front View

| | | |
|-------|------------------|-------------|
| 8 | Drain (26AWG) 地線 | Twist 對線 |
| 7 | Blue (26AWG) 藍 | |
| 6 | Red (26AWG) 紅 | Twist 對線 |
| 5 | Green (26AWG) 綠 | |
| 4 | White (26AWG) 白 | |
| 3 | Black (16AWG) 黑 | |
| 2 | Green (16AWG) 綠 | |
| 1 | White (16AWG) 白 | |
| Conn. | Wire Color | |
| | Pin Out | |

CBD-08AMFM-QL8FXX

XX :01~99Meters
01 :01Meter
02 :02Meters
:
:
99 :99Meters

| | |
|-----------|------|
| UNIT:mm | |
| TOLERANCE | ±0.5 |

| | | | |
|---|----------------|---------------------------------|--|
| TITLE X-Lok C Size Cable Molding 8Pin M Connector F Pin | | | |
| SCALE 1:1 | SIZE A4 | SHEET 1 OF 1 | |
| REV. A | WC-REV. A.1 | \varnothing : Inspection item | |

Amphenol LTW
安費諾亮泰企業股份有限公司

| | | |
|-----------------------------|----------------------|--------------------|
| ITEM NO | DRAWN BY Spring | DATE 2016-05-09 |
| DWG NO CBD-08AMFM-QL8FXX | CHECKED BY Fisher | DATE 2016-05-09 |
| CUSTOMER ALTW | APPROVED BY Kevin | DATE 2016-05-09 |

THIS DOCUMENT IS SUBJECT TO CHANGE WITHOUT NOTICE. IT IS CONFIDENTIAL AND A PROPERTY OF Amphenol LTW. DISCLOSURE TO THIRD PARTY HAS TO BE AUTHORIZED BY Amphenol LTW.