



Chipsmall Limited consists of a professional team with an average of over 10 year of expertise in the distribution of electronic components. Based in Hongkong, we have already established firm and mutual-benefit business relationships with customers from,Europe,America and south Asia,supplying obsolete and hard-to-find components to meet their specific needs.

With the principle of “Quality Parts,Customers Priority,Honest Operation,and Considerate Service”,our business mainly focus on the distribution of electronic components. Line cards we deal with include Microchip,ALPS,ROHM,Xilinx,Pulse,ON,Everlight and Freescale. Main products comprise IC,Modules,Potentiometer,IC Socket,Relay,Connector.Our parts cover such applications as commercial,industrial, and automotives areas.

We are looking forward to setting up business relationship with you and hope to provide you with the best service and solution. Let us make a better world for our industry!



Contact us

Tel: +86-755-8981 8866 Fax: +86-755-8427 6832

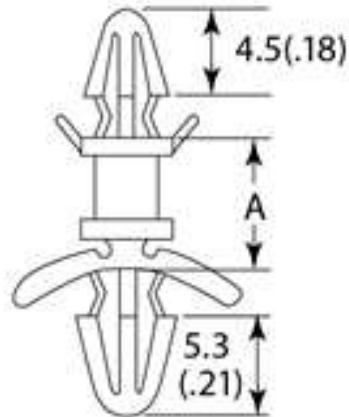
Email & Skype: info@chipsmall.com Web: www.chipsmall.com

Address: A1208, Overseas Decoration Building, #122 Zhenhua RD., Futian, Shenzhen, China



Material: UL94 V-2 Nylon 6/6		
Color: Natural		
Part No.	A	
	mm	in
CBDLS305A	4	.157
CBDLS310A	5	.197
CBDLS315A	6.4	.252
CBDLS320A	7	.276
CBDLS325A	9.5	.374
CBDLS330A	10	.394
CBDLS335A	12.7	.500
CBDLS340A	15.9	.626
CBDLS345A	19	.748
CBDLS350A	20	.787
CBDLS355A	22	.866
CBDLS360A	25.4	1.000
CBDLS365A	28.6	1.126
CBDLS370A	30	1.181
CBDLS375A	35	1.378
CBDLS380A	38	1.496
CBDLS385A	45	1.772

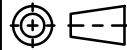

TO SNAP LOCK IN A 4 (.156) Ø HOLE, IN A
1.6 - 1.8 (.062 - .071) PANEL THICKNESS



TO SNAP LOCK IN A 4.8 (.187) Ø HOLE, IN A
0.8 - 2.2 (.031 - .087) PANEL THICKNESS

TOLERANCES
UNLESS NOTED

≤5 mm	±0.2
5 - 20 mm	±0.3
20 - 40 mm	±0.4
40 - 60 mm	±0.5
60 - 100 mm	±0.8
≥100 mm	±1.0

TITLE: DUAL LOCKING CIRCUIT BOARD SUPPORT			 DWG IN MM (IN)	
FILE #: CBDLS	DWN: CLC			
SHEET: 1 OF 1	SHEET SIZE: A	DT: 01/08/15	PART #	PRINT TYPE
RE:		 ESSENTRA COMPONENTS		SEE TABLE CA