



Chipsmall Limited consists of a professional team with an average of over 10 year of expertise in the distribution of electronic components. Based in Hongkong, we have already established firm and mutual-benefit business relationships with customers from,Europe,America and south Asia,supplying obsolete and hard-to-find components to meet their specific needs.

With the principle of “Quality Parts,Customers Priority,Honest Operation,and Considerate Service”,our business mainly focus on the distribution of electronic components. Line cards we deal with include Microchip,ALPS,ROHM,Xilinx,Pulse,ON,Everlight and Freescale. Main products comprise IC,Modules,Potentiometer,IC Socket,Relay,Connector.Our parts cover such applications as commercial,industrial, and automotives areas.

We are looking forward to setting up business relationship with you and hope to provide you with the best service and solution. Let us make a better world for our industry!



Contact us

Tel: +86-755-8981 8866 Fax: +86-755-8427 6832

Email & Skype: info@chipsmall.com Web: www.chipsmall.com

Address: A1208, Overseas Decoration Building, #122 Zhenhua RD., Futian, Shenzhen, China



PART NO.	FIG.	"D1"	"HD"	"D2"	"T" REF.	"E" REF.	"L"	MATERIAL/COLOR
CBHP-1	1	.012 (0.3)	.025 (0.6)	.047 (1.2)	5/16 (7.9)	1/8 (3.2)	1/2 (12.7)	NYLON 4-6, BLACK, RMS-109
CBHP-2	1	.015 (0.4)	.050 (1.3)	.082 (2.1)		11/64 (4.4)	35/64 (13.9)	
CBHP-3S	2	.040 (1.0)	.100 (2.5)	.160 (4.1)		7/32 (5.6)	19/32 (15.1)	SILICONE, BLACK, RMS-123
CBHP-4S	2	.090 (2.3)	.150 (3.8)	.209 (5.3)				
CBHP-5S	2	.140 (3.6)	.200 (5.1)	.261 (6.6)				
CBHP-6S	2	.200 (5.1)	.250 (6.4)	.309 (7.8)		11/64 (4.4)	35/64 (13.9)	
CBHP-7S	3	.261 (6.6)	.312 (7.9)	.355 (9.0)	31/64 (12.3)			
CBHP-8S	3	.320 (8.1)	.375 (9.5)	.420 (10.7)				
CBHP-9S	3	.443 (11.3)	.500 (12.7)	.539 (13.7)				

NOTE: METRIC EQUIVALENT FOR REFERENCE ONLY

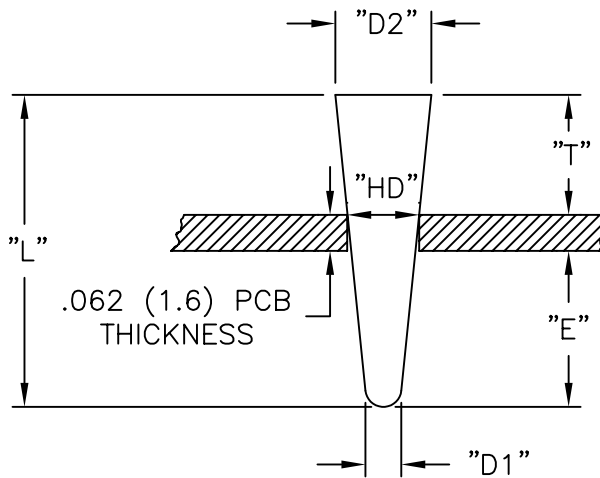


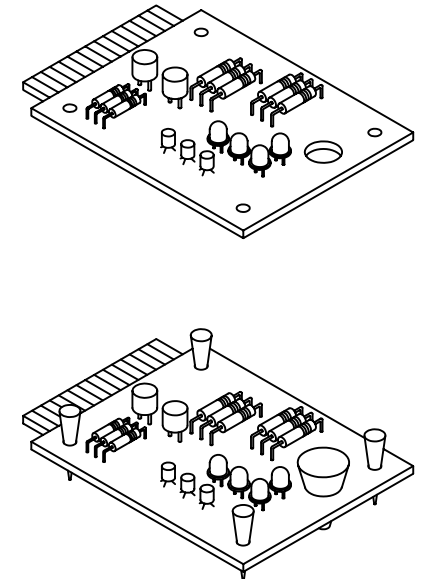
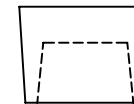
FIG. 1



FIG. 2



FIG. 3



NOTES:

1. UL RATINGS DO NOT APPLY SINCE PARTS SHOULD NOT BE PERMANENTLY INSTALLED UN ASSEMBLY

TITLE: CIRCUIT BOARD HOLE PLUG				DWG IN IN (MM)		FINAL	
D	RMS-109 WAS RMS-122	SM 07.23.01	TOLERANCES UNLESS NOTED	FILE # CBHP	DWN: P.B.	APP:	PART #
C	ADDED RMS-122 & -123, CHANGED FILE #	SM 06.01.01	.XX=±.010	MAT'L: SEE TABLE	DT: 04-22-94	DT:	
B	DIMS. "D1" & "D2" REVERSED	PB 081794	.XXX=±.005	RE: RICHCO, INC	RICHCO INC.		SEE TABLE
A	PART NO. CBHP-XX WAS CBHP-XX-01; NOTE ADDED	PB 071994	FRAC=±1/64	PO BOX 804238, CHICAGO, 60680		PRINT TYPE	
REV	DESCRIPTION	ENGR DATE	ANG=±1°	(773) 539-4060		CA	