



Chipsmall Limited consists of a professional team with an average of over 10 year of expertise in the distribution of electronic components. Based in Hongkong, we have already established firm and mutual-benefit business relationships with customers from,Europe,America and south Asia,supplying obsolete and hard-to-find components to meet their specific needs.

With the principle of “Quality Parts,Customers Priority,Honest Operation,and Considerate Service”,our business mainly focus on the distribution of electronic components. Line cards we deal with include Microchip,ALPS,ROHM,Xilinx,Pulse,ON,Everlight and Freescale. Main products comprise IC,Modules,Potentiometer,IC Socket,Relay,Connector.Our parts cover such applications as commercial,industrial, and automotives areas.

We are looking forward to setting up business relationship with you and hope to provide you with the best service and solution. Let us make a better world for our industry!



## Contact us

Tel: +86-755-8981 8866 Fax: +86-755-8427 6832

Email & Skype: info@chipsmall.com Web: www.chipsmall.com

Address: A1208, Overseas Decoration Building, #122 Zhenhua RD., Futian, Shenzhen, China



DATA CONTAINED IN THIS DOCUMENT IS PROPRIETARY TO TROMPETER ELECTRONICS INC. AND SHALL NOT BE DISCLOSED, COPIED OR USED FOR PROCUREMENT OR MANUFACTURE WITHOUT EXPRESS WRITTEN PERMISSION.

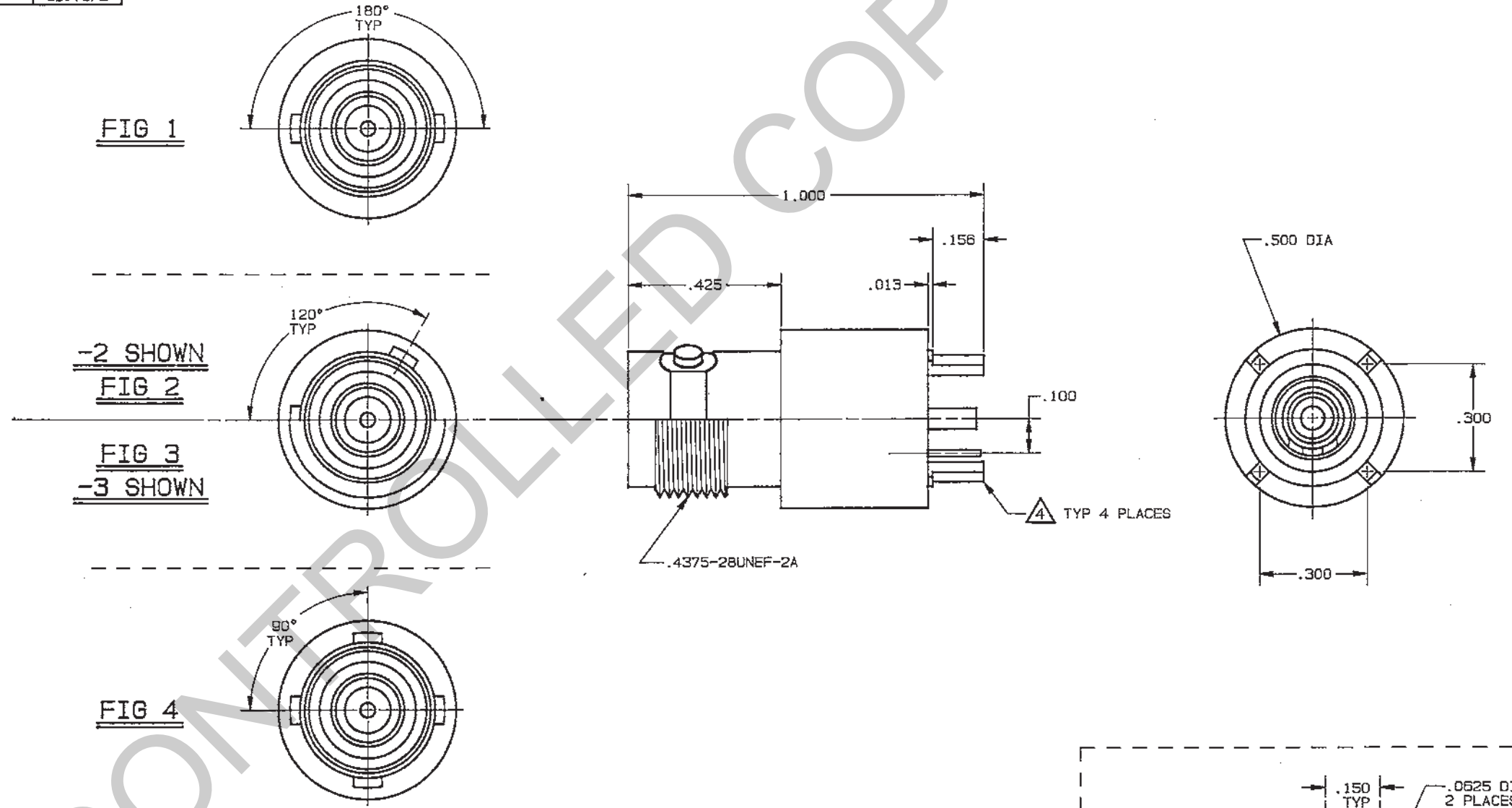
REVISIONS			3-0003		SH 1
REV	EO	DESCRIPTION	DWN	APPROVED	DATE
A	8534	ADDED NOTE $\Delta$ : DWG NO WAS 3000-0003; REDRAWN	DKC	<i>DKC</i>	9-21-89

DISK #  
H9

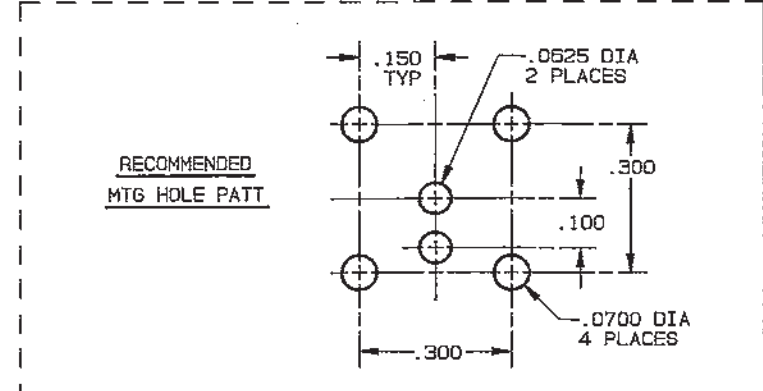
DASH NO	FIG NO	CONN TYP	MODEL NO
-1	1	2-LUG	CBJ70TL
-2	2	3-LUG	CBJ70
-3	3	THREADED	CBJ370
-4	4	4-LUG	CBJ70FL

INCH	MM
.0010	0.03
.0015	0.04
.005	0.13
.013	0.33
.060	1.52
.0625	1.59
.0700	1.78
.100	2.54
.150	3.81
.156	3.96
.300	7.62
.425	10.80
.500	12.70
1.000	25.40

RED INDICATES ORIGINAL



- $\Delta$  PRE-TINNED, .0015 MAXIMUM THICKNESS WITH SN63 OR EQUIV SOLDER, PER QQ-S-571, TO WITHIN .060 MAXIMUM OF SHOULDER, AFTER PLATING
- 3. 2/3/4 LUG & THREADED CONCENTRIC TWINAX / TRIAX CIRCUIT BOARD MOUNT RECEPTACLE
- 2. FINISH: TFS-1A (NICKEL)
- 1. ALL DIM ARE IN INCHES



QTY	DESCRIPTION	PART NUMBER	ITEM		
TOL UNLESS SPECIFIED .xx ± .xxx ± .005 .xxxx ± .0010 ANGLES 1°			CBJ70/TL/FL/370		
DWN	DKC 7-14-89			MATERIAL	CODE IDENT
CHK	<i>DKC</i> 9/6/89		14949	3-0003	A
ENGR	<i>DKC</i> 9/19/89				
NEXT ASSY	APPR <i>DKC</i> 9/26/89	SCALE 4/1	DATE 12-16-86	SHEET 1 OF 2	