



Chipsmall Limited consists of a professional team with an average of over 10 year of expertise in the distribution of electronic components. Based in Hongkong, we have already established firm and mutual-benefit business relationships with customers from,Europe,America and south Asia,supplying obsolete and hard-to-find components to meet their specific needs.

With the principle of “Quality Parts,Customers Priority,Honest Operation,and Considerate Service”,our business mainly focus on the distribution of electronic components. Line cards we deal with include Microchip,ALPS,ROHM,Xilinx,Pulse,ON,Everlight and Freescale. Main products comprise IC,Modules,Potentiometer,IC Socket,Relay,Connector.Our parts cover such applications as commercial,industrial, and automotives areas.

We are looking forward to setting up business relationship with you and hope to provide you with the best service and solution. Let us make a better world for our industry!



Contact us

Tel: +86-755-8981 8866 Fax: +86-755-8427 6832

Email & Skype: info@chipsmall.com Web: www.chipsmall.com

Address: A1208, Overseas Decoration Building, #122 Zhenhua RD., Futian, Shenzhen, China



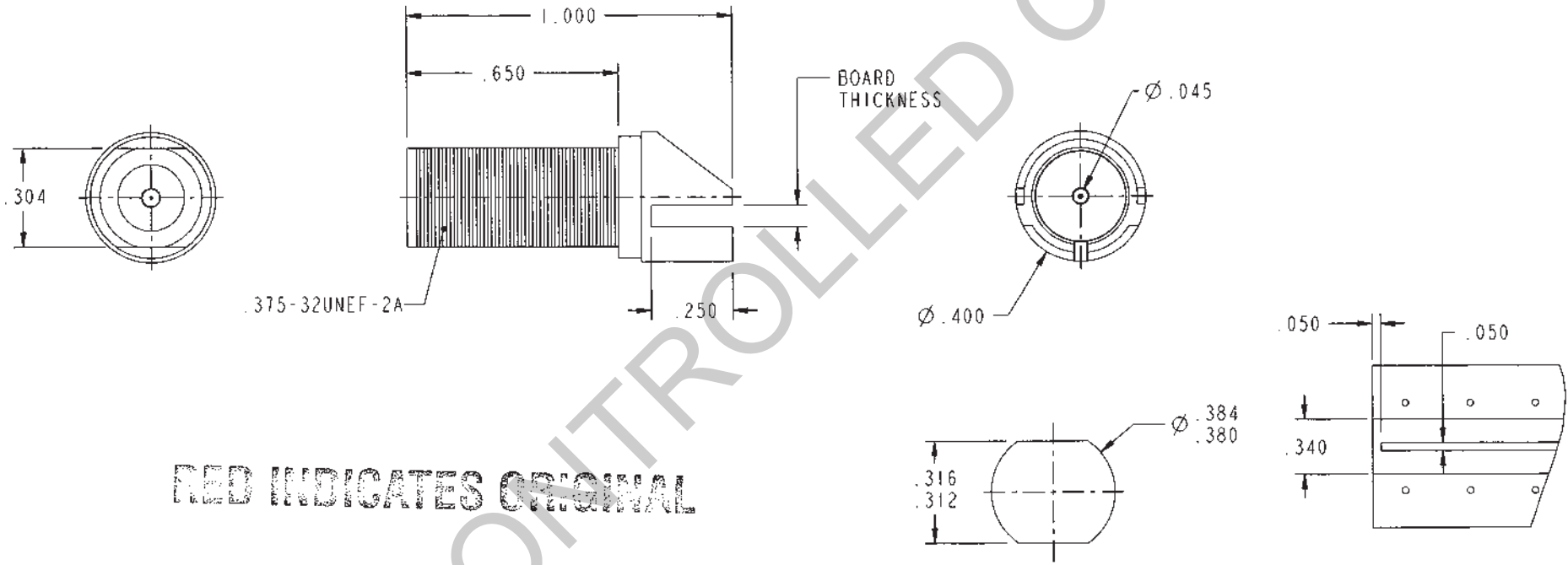
| DASH NO | BOARD THICKNESS |
|---------|-----------------|
| -1 | .060-.064 |
| -2 | .028-.033 |

DATA CONTAINED IN THIS DOCUMENT IS PROPRIETARY TO TROMPETER ELECTRONICS INC AND SHALL NOT BE DISCLOSED, COPIED OR USED FOR PROCUREMENT OR MANUFACTURE WITHOUT EXPRESS WRITTEN PERMISSION.

| REVISIONS | | | |
|-----------|-----------------------|----------|----------|
| REV | DESCRIPTIONS | DATE | APPROVED |
| E | REVISED PER ECO 16389 | 11/13/07 | AMES |



SCALE 1/1



RED INDICATES ORIGINAL

3. EXAMPLE OF A COMPLETE MODEL NO.

CBJE130 -1

MODEL | DASH NO (SEE TABLE)

2. FINISH: BODY: TFS-1Z (GOLD)
CONTACT: TFS-1B (GOLD)

1. CIRCUIT BOARD EDGE MOUNT
"F" STYLE FEMALE JACK

NOTES: UNLESS OTHERWISE SPECIFIED.

| | | | | | | |
|--|-----------------------|--|-------------|------------------------|--------------------|--------|
| INTERPRET DRAWING PER ALL-STD-100. DIMENSIONS ARE IN INCHES AND INCLUDE FINISH THICKNESS UNLESS OTHERWISE SPECIFIED. | | DOL: UNLESS SPECIFIED. .XX = ± .02 .XXX = ± .010 | | | | |
| DRN J. CARPENTER 11-09-07 CMR 11/9/07 QUAL MANUF APPROVED 11/13/07 | MATERIAL: | TITLE: CBJE130 | | | | |
| NEXT ASSY | PROJE FILE NO. 1-0579 | DO NOT SCALE DWG | SCALE 2/1 | SIZE A CAGE CODE 14949 | DRAWING NO. 1-0579 | REV. E |
| | | | DATE 8-3-01 | SHEET 1C | | |