



Chipsmall Limited consists of a professional team with an average of over 10 year of expertise in the distribution of electronic components. Based in Hongkong, we have already established firm and mutual-benefit business relationships with customers from,Europe,America and south Asia,supplying obsolete and hard-to-find components to meet their specific needs.

With the principle of “Quality Parts,Customers Priority,Honest Operation,and Considerate Service”,our business mainly focus on the distribution of electronic components. Line cards we deal with include Microchip,ALPS,ROHM,Xilinx,Pulse,ON,Everlight and Freescale. Main products comprise IC,Modules,Potentiometer,IC Socket,Relay,Connector.Our parts cover such applications as commercial,industrial, and automotives areas.

We are looking forward to setting up business relationship with you and hope to provide you with the best service and solution. Let us make a better world for our industry!



Contact us

Tel: +86-755-8981 8866 Fax: +86-755-8427 6832

Email & Skype: info@chipsmall.com Web: www.chipsmall.com

Address: A1208, Overseas Decoration Building, #122 Zhenhua RD., Futian, Shenzhen, China



DASH NO	MODEL NO
-1	CBJR157
-2	CBJR157FL
-3	CBJR3157

DISK #
H9

DATA CONTAINED IN THIS DOCUMENT IS PROPRIETARY TO TROMPETER ELECTRONICS INC. AND SHALL NOT BE DISCLOSED, COPIED OR USED FOR PROCUREMENT OR MANUFACTURE WITHOUT EXPRESS WRITTEN PERMISSION.

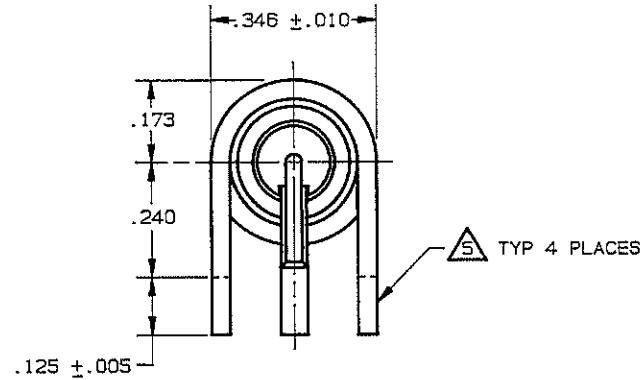
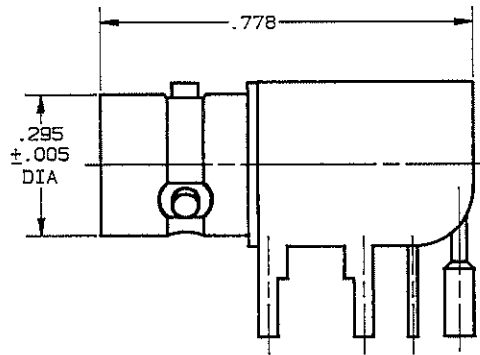
REVISIONS

3-0080

SH 1

REV	EO	DESCRIPTION	DWN	APPROVED	DATE
E	8534	ADDED NOTE /S/ AND REDWN	DKC	<i>[Signature]</i>	9-21-89

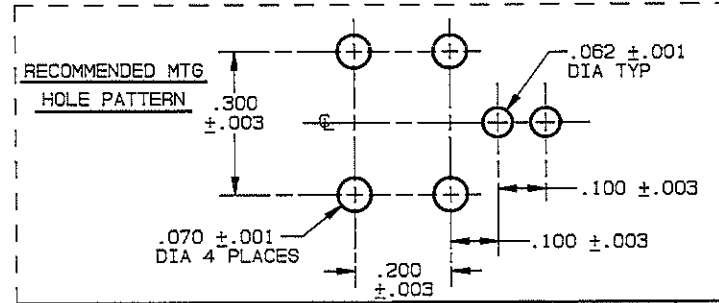
INCH	MM
.001	0.03
.0015	0.04
.003	0.08
.005	0.13
.010	0.25
.030	0.76
.060	1.52
.062	1.57
.070	1.78
.100	2.54
.125	3.18
.173	4.39
.200	5.08
.240	6.10
.295	7.49
.300	7.62
.346	8.79
.480	12.19
.778	19.76



-1 SHOWN

5 PRE-TINNED, .0015 MAXIMUM THICKNESS WITH SN63 OR EQUIV SOLDER, PER QQ-S-571, TO WITHIN .060 MAXIMUM OF SHOULDER, AFTER PLATING

4. VERTICAL CLEARANCE BETWEEN CIRCUIT BOARDS (INCLUDING MATING CONNECTOR) .480 MINIMUM
3. CONCENTRIC TWINAX/TRIAX, RIGHT ANGLE CIRCUIT BOARD MOUNT RECEPTACLE
2. FINISH: TFS-1A (NICKEL)
1. ALL DIM ARE IN INCHES



QTY	DESCRIPTION	PART NUMBER	ITEM
TOL UNLESS SPECIFIED		TROMPETER ELECTRONICS, INC.	CBJR157 / FL / CBJR3157
.XX ±			
.XXX ± .030			
.XXXX ±			
ANGLES ±			
DWN	DKC 7-7-89	MATERIAL	CODE IDENT
CHK	<i>[Signature]</i> 9/6/89		14949
ENGR	<i>[Signature]</i> 9/19/89	DRAWING NO.	3-0080
APPR	<i>[Signature]</i> 9-20-89	REV	E
NEXT ASSY	APPR	SCALE 4/1	DATE 10-21-82 SHEET 1 OF 2