



Chipsmall Limited consists of a professional team with an average of over 10 year of expertise in the distribution of electronic components. Based in Hongkong, we have already established firm and mutual-benefit business relationships with customers from,Europe,America and south Asia,supplying obsolete and hard-to-find components to meet their specific needs.

With the principle of “Quality Parts,Customers Priority,Honest Operation,and Considerate Service”,our business mainly focus on the distribution of electronic components. Line cards we deal with include Microchip,ALPS,ROHM,Xilinx,Pulse,ON,Everlight and Freescale. Main products comprise IC,Modules,Potentiometer,IC Socket,Relay,Connector.Our parts cover such applications as commercial,industrial, and automotives areas.

We are looking forward to setting up business relationship with you and hope to provide you with the best service and solution. Let us make a better world for our industry!



Contact us

Tel: +86-755-8981 8866 Fax: +86-755-8427 6832

Email & Skype: info@chipsmall.com Web: www.chipsmall.com

Address: A1208, Overseas Decoration Building, #122 Zhenhua RD., Futian, Shenzhen, China



DISK # C9
DWG SIZE B

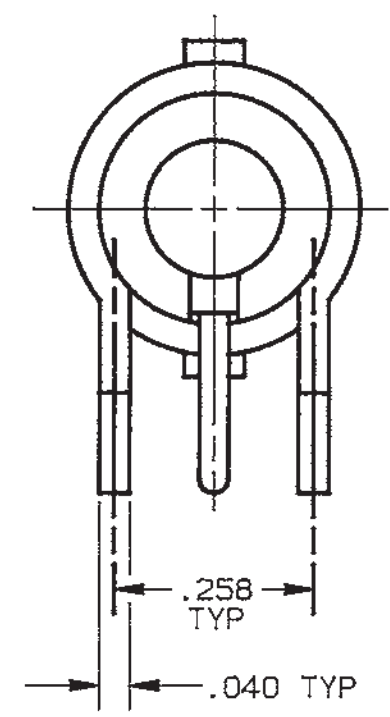
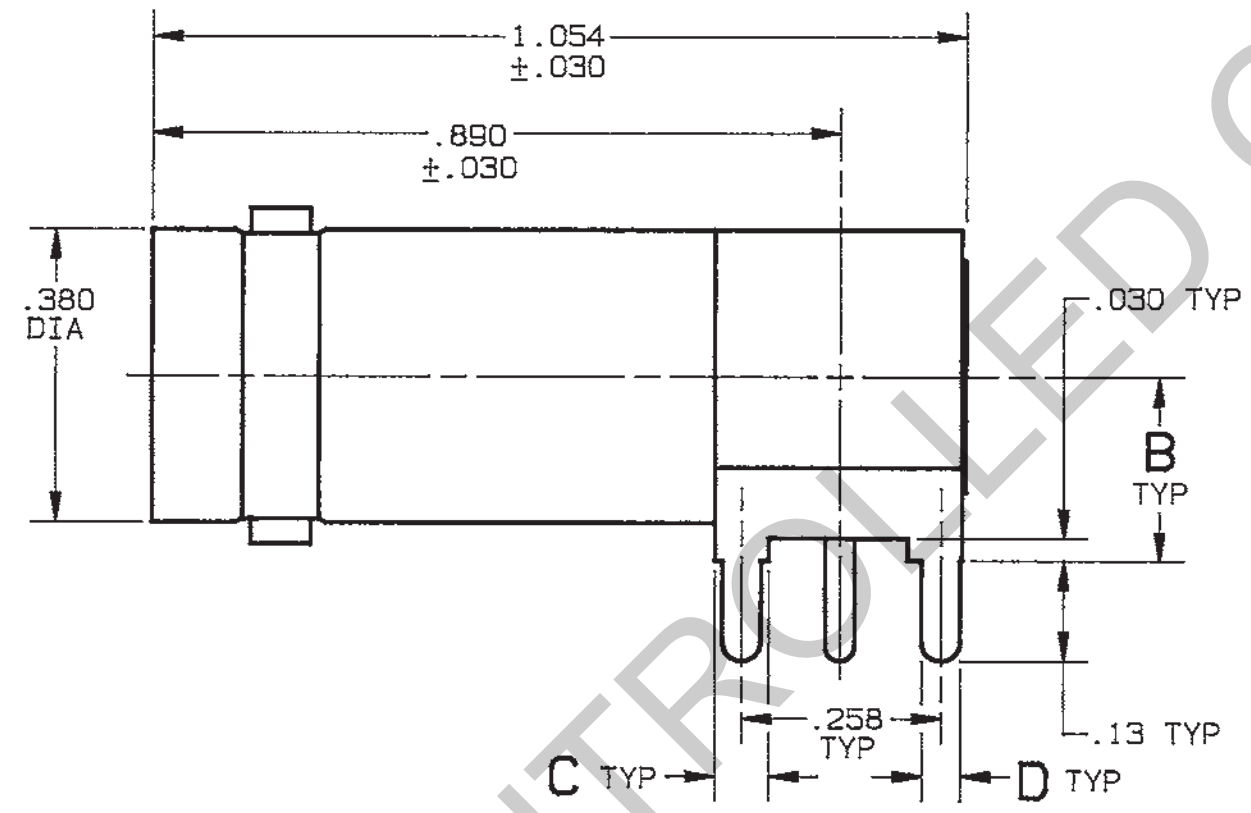
DATA CONTAINED IN THIS DOCUMENT IS PROPRIETARY TO TROMPETER ELECTRONICS INC. AND SHALL NOT BE DISCLOSED, COPIED OR USED FOR PROCUREMENT OR MANUFACTURE WITHOUT EXPRESS WRITTEN PERMISSION.

REVISIONS			1-0044		SH 1
REV	EO	DESCRIPTION	DWN	APPROVED	DATE
H	9449	CHANGE "C" DIM FROM .070 TO .090, -1 AND -2; DWG NO WAS 1000-0044; & REDWN	DKC	B.M.; Dal	10-2-91

DASH NO	MODEL NO	LTR CODE	IMPD	A DIA	B DIM	C DIM	D DIM	E DIA
-1	CBJR20	A	50	.046	.24	.090	.050	.0625
-2	UCBJR20		75	.029				
-3	CBJR20A		50	.046	.34		.058	.070
-4	UCBJR20A		75	.029				

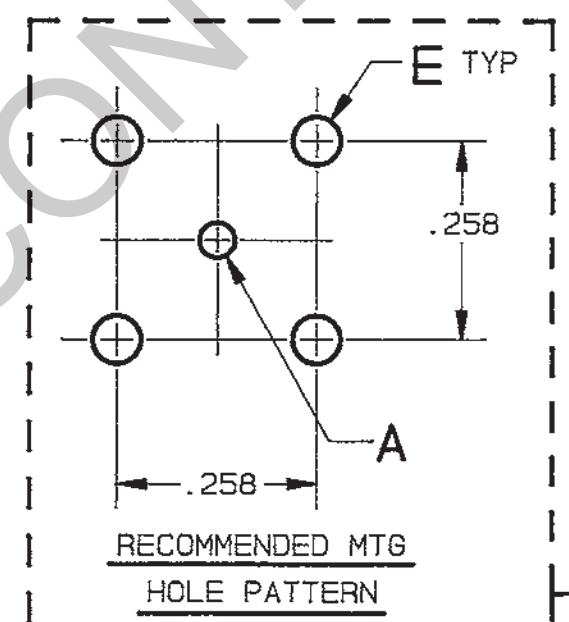
INCH	MM
.001	0.03
.005	0.13
.010	0.25
.029	0.74
.030	0.76
.040	1.02
.046	1.17
.050	1.27
.058	1.47
.0625	1.59
.090	2.29
.13	3.30
.24	6.10
.258	6.55
.34	8.64
.380	9.65
.890	22.61
1.054	26.77

-1 SHOWN



4. EXAMPLE OF COMPLETE MODEL NO:
U/CBJR20/A
 ↳ LTR CODE (SEE TABLE)
 ↳ BASIC MODEL NO (SEE TABLE)
 ↳ 75 OHM DESIGNATION-NONE
 REQD FOR 50 OHM

3. FINISH: TFS-1A (NICKEL)
2. 50 & 75 OHM RIGHT ANGLE CIRCUIT BOARD MOUNTING BNC RECEPTACLE
1. ALL DIM ARE IN INCHES



QTY	DESCRIPTION		PART NUMBER	ITEM
TOL UNLESS SPECIFIED			U/CBJR20/A	
.XX ± .01 .XXX ± .005 .XXXX ± .0010 ANGLES ±				
DWN	DKC	9-13-91	MATERIAL	CODE IDENT
CHK	B.M.	9-24-91	14949	DRAWING NO. 1-0044
ENGR	Dal	10-2-91	SCALE 4/1	DATE 2-1-83
APPR	DR	10-2-91	SHEET 1 OF 2	

NEXT ASSY