



Chipsmall Limited consists of a professional team with an average of over 10 year of expertise in the distribution of electronic components. Based in Hongkong, we have already established firm and mutual-benefit business relationships with customers from,Europe,America and south Asia,supplying obsolete and hard-to-find components to meet their specific needs.

With the principle of “Quality Parts,Customers Priority,Honest Operation,and Considerate Service”,our business mainly focus on the distribution of electronic components. Line cards we deal with include Microchip,ALPS,ROHM,Xilinx,Pulse,ON,Everlight and Freescale. Main products comprise IC,Modules,Potentiometer,IC Socket,Relay,Connector.Our parts cover such applications as commercial,industrial, and automotives areas.

We are looking forward to setting up business relationship with you and hope to provide you with the best service and solution. Let us make a better world for our industry!



Contact us

Tel: +86-755-8981 8866 Fax: +86-755-8427 6832

Email & Skype: info@chipsmall.com Web: www.chipsmall.com

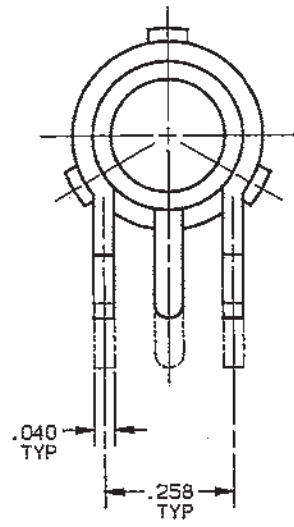
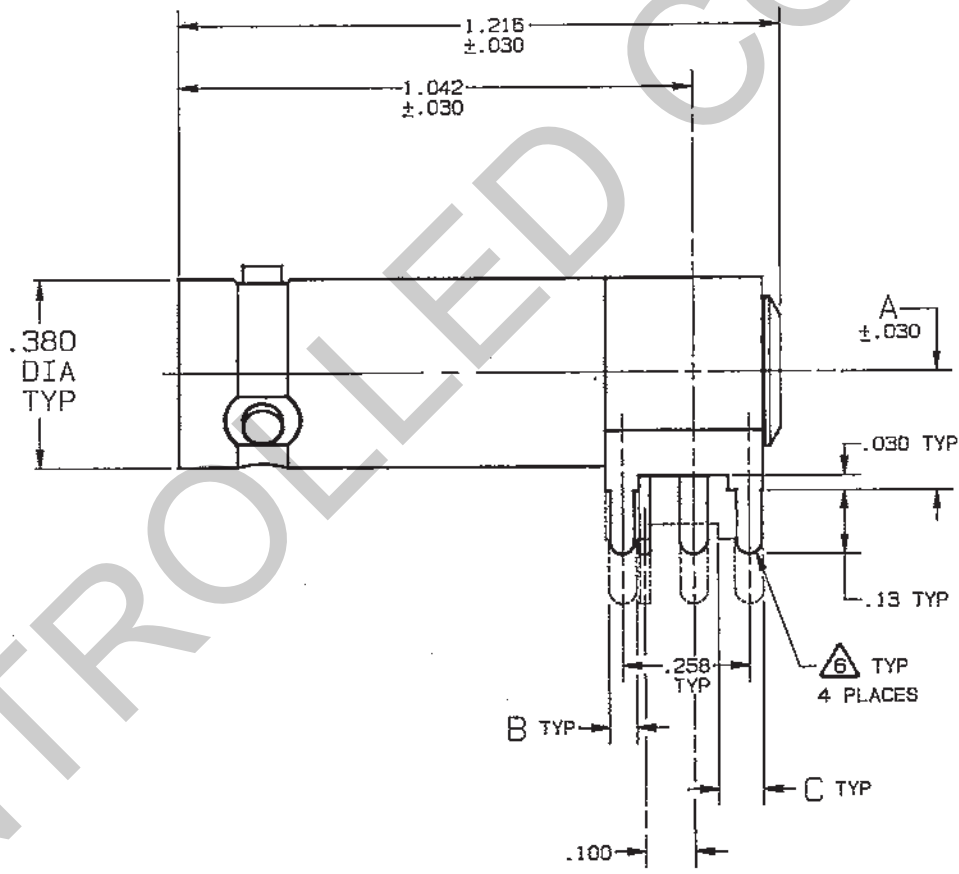
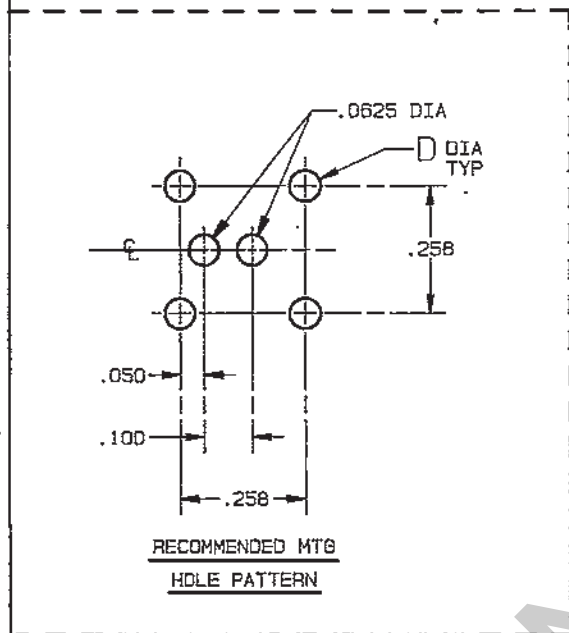
Address: A1208, Overseas Decoration Building, #122 Zhenhua RD., Futian, Shenzhen, China



| | | | | | | | | |
|--------------|------------------|--|----|-------------|-----------|----------|--------|------|
| DIN # H12 | DWG SIZE C | DATA CONTAINED IN THIS DOCUMENT IS PROPRIETARY TO TROMPETER ELECTRONICS INC. AND SHALL NOT BE DISCLOSED, COPIED OR USED FOR PROCUREMENT OR MANUFACTURE WITHOUT EXPRESS WRITTEN PERMISSION. | | | REVISIONS | | 3-0280 | SH 1 |
| | | REV | EO | DESCRIPTION | DWN | APPROVED | DATE | |

| DASH NO | MODEL NO | LTR CODE | A DIM | B DIM | C DIM | D DIM |
|---------|----------|----------|-------|-------|-------|-------|
| -1 | CBJR70 | — | .24 | .050 | .090 | .0625 |
| -2 | CBJR70A | A | .34 | .058 | .090 | .070 |

RED INDICATES ORIGINAL



| INCH | MM |
|-------|-------|
| .0010 | 0.03 |
| .0015 | 0.04 |
| .005 | 0.13 |
| .030 | 0.76 |
| .040 | 1.02 |
| .050 | 1.27 |
| .058 | 1.47 |
| .060 | 1.52 |
| .0625 | 1.59 |
| .070 | 1.78 |
| .090 | 2.29 |
| .100 | 2.54 |
| .13 | 3.30 |
| .24 | 6.10 |
| .258 | 6.55 |
| .34 | 8.64 |
| .380 | 9.65 |
| 1.042 | 26.47 |
| 1.216 | 30.89 |

- 6 PRE-TINNED, .0015 MAXIMUM THICKNESS WITH SN63 OR EQUIV SOLDER, PER QQ-S-571, TO WITHIN .060 MAXIMUM OF SHOULDER, AFTER PLATING
- 5 LTR CODE "A" SHOWN IN PHANTOM
- 4. EXAMPLE OF COMPLETE MODEL NO:

| | | |
|--------|----------------------------|---|
| CBJR70 | A | |
| | LTR CODE (SEE TABLE) | 5 |
| | BASIC MODEL NO (SEE TABLE) | |

- 3. FINISH: TFS-1A (NICKEL)
- 2. CONCENTRIC TWIAX/TRIAX RIGHT ANGLE CIRCUIT BOARD MOUNT TRB SERIES RECEPTACLE
- 1. ALL DIM ARE IN INCHES

| QTY | DESCRIPTION | PART NUMBER | ITEM |
|---|-------------------------------------|------------------|--------------------|
| TOL UNLESS SPECIFIED .XX ± .XXX ±.005 .XXXX ±.0010 ANGLES ± | TROMPETER RF connectivity | CBJR70 / A | |
| DWN J S 4/20/92 | MATERIAL | CODE IDENT 14949 | DRAWING NO. 3-0280 |
| CHK BMM 4/22/92 | ENGR | APPR | SCALE 4/1 |
| NEXT ASSY | DATE 4-23-92 | SHEET 1 OF 2 | |