



Chipsmall Limited consists of a professional team with an average of over 10 year of expertise in the distribution of electronic components. Based in Hongkong, we have already established firm and mutual-benefit business relationships with customers from,Europe,America and south Asia,supplying obsolete and hard-to-find components to meet their specific needs.

With the principle of “Quality Parts,Customers Priority,Honest Operation,and Considerate Service”,our business mainly focus on the distribution of electronic components. Line cards we deal with include Microchip,ALPS,ROHM,Xilinx,Pulse,ON,Everlight and Freescale. Main products comprise IC,Modules,Potentiometer,IC Socket,Relay,Connector.Our parts cover such applications as commercial,industrial, and automotives areas.

We are looking forward to setting up business relationship with you and hope to provide you with the best service and solution. Let us make a better world for our industry!



## Contact us

Tel: +86-755-8981 8866 Fax: +86-755-8427 6832

Email & Skype: info@chipsmall.com Web: www.chipsmall.com

Address: A1208, Overseas Decoration Building, #122 Zhenhua RD., Futian, Shenzhen, China



## RJ ADAPTERS & CABLES



### ORDERING INFORMATION

MODEL	DESCRIPTION	PART NUMBER
DRRJ	RJ-11/12 Connector to Terminal Adapter	DRRJ11T6
	RJ-45 Connector to Terminal Adapter	DRRJ45T8
	RJ-45 Parallel Connector	DRRJ45P6
CBJ	RJ-11 to RJ-11 6" Jumper Cable	CBJ11BD5
CBL	RJ-12 to RJ-12 1' Cable	CBLRLC01
	RJ-12 to RJ-12 10' Cable	CBLRLC02
	RJ-45 to RJ-45 1' Cable	CBLRLC03
	RJ-45 to RJ-45 10' Cable	CBLRLC04
	RJ-45 to RJ-45 6" Jumper Cable	CBLRLC07

### DRRJ11T6 and DRRJ45T8 Connector to Terminal Adapters

#### DESCRIPTION

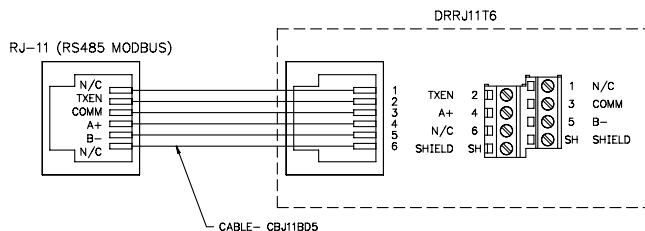
These adapters convert modular RJ-style connectors to terminal block connectors, providing a rugged means by which standard shielded cabling can be used in lieu of flat, unshielded cable. The DRRJ11T6 can be used with RJ-11 or RJ-12 cables, while the DRRJ45T8 can be used with RJ-45 connectors. The adapters are designed to mount on any standard DIN rail.

Each screw-terminal accepts wire in size from 26 to 14 AWG (0.14 to 2.5 mm solid; 0.14 to 1.5 mm stranded). Terminal numbers for the screw-terminals correspond directly to the terminal pin out of the RJ connector. There is an extra terminal on each block labeled "S" for the connection of shields.

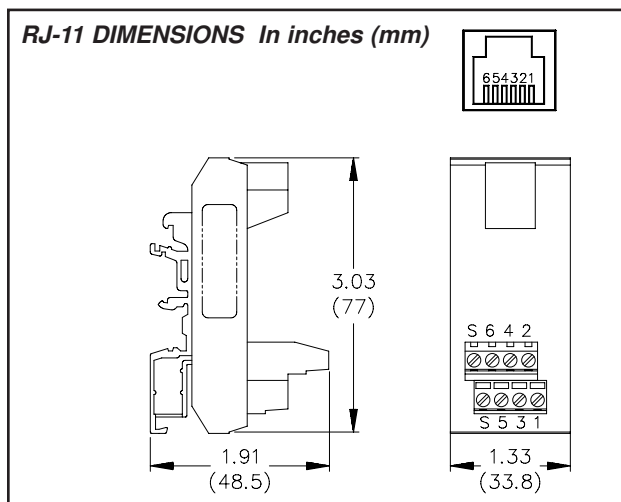
#### APPLICATION EXAMPLES

##### RS485 via RJ-11 connector and DRRJ11T6

Product Examples: DLC, IAMS, ITMS, and PAX.

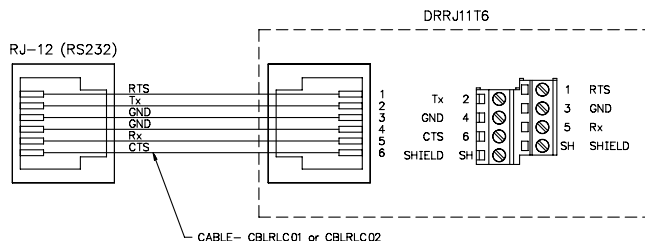


A Red Lion Controls device with an RS485 RJ-11 port is connected to the DRRJ11T6 adapter using the CBJ11BD5 cable. The terminal block is then wired to run the RS485 MODBUS serial information to another device.



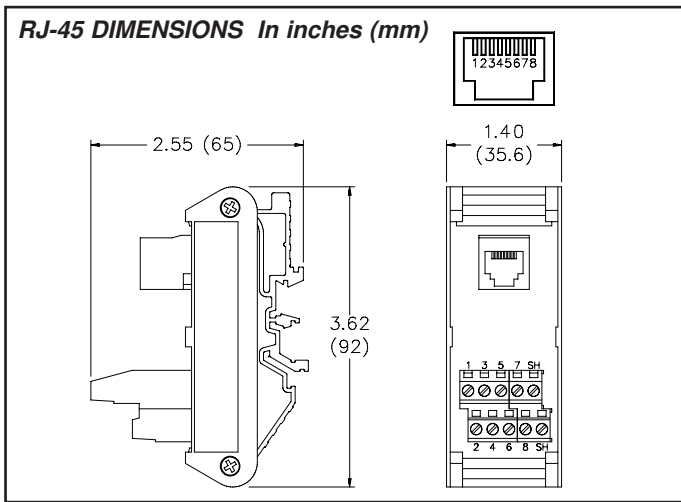
##### RS232 via RJ-12 connector and DRRJ11T6

Product Examples: G3, Modular Controller, and Paradigm (CL, CX, GL, TX, and VX)



A Red Lion Controls device with an RS232 RJ-12 port is connected to the DRRJ11T6 adapter using the CBLRLC01 or CBLRLC02 cable. The terminal block is then wired to run the RS232 serial information to another device.

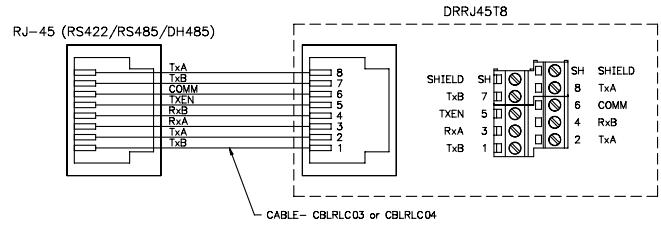




## APPLICATION EXAMPLES

### RS422/RS485/DH485 via RJ-45 connector and DRRJ45T8

Product Examples: G3 and Modular Controller

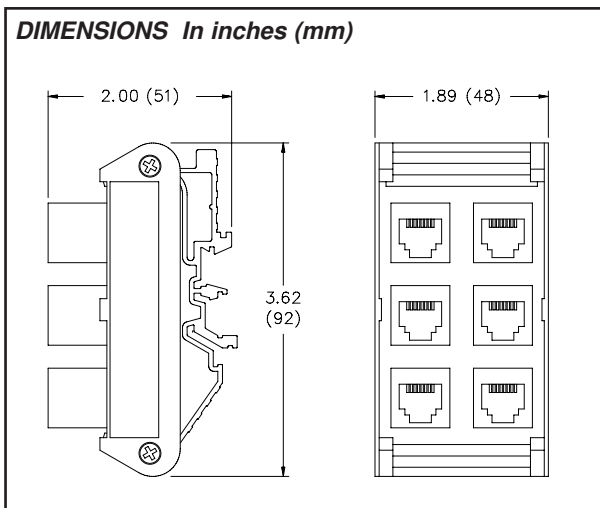


A Red Lion Controls device with an RS422/RS485/DH485 port via RJ-45 is connected to the DRRJ45T8 adapter using the CBLRLC03 or CBLRLC04 cable. The terminal block is then wired to run the RS422/RS485/DH485 serial information to another device.

## DRRJ45P6 - RJ45 Parallel Connector

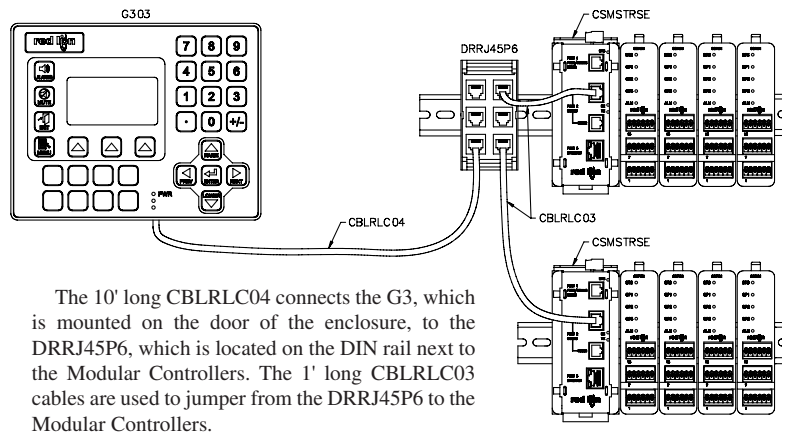
### DESCRIPTION

The DRRJ45P6 allows Red Lion products that utilize an RJ45-RS485 port to be quickly multi-dropped, saving wiring time. All six of the connectors on the DRRJ45P6 are wired in parallel, allowing products such as the G3 operator panel and the Modular Controller to be easily connected for multi-drop applications.



### APPLICATION EXAMPLE

G3 operator panel connected to two Modular Controller masters.



The 10' long CBLRLC04 connects the G3, which is mounted on the door of the enclosure, to the DRRJ45P6, which is located on the DIN rail next to the Modular Controllers. The 1' long CBLRLC03 cables are used to jumper from the DRRJ45P6 to the Modular Controllers.

## LIMITED WARRANTY

The Company warrants the products it manufactures against defects in materials and workmanship for a period limited to one year from the date of shipment, provided the products have been stored, handled, installed, and used under proper conditions. The Company's liability under this limited warranty shall extend only to the repair or replacement of a defective product, at The Company's option. The Company disclaims all liability for any affirmation, promise or representation with respect to the products.

The customer agrees to hold Red Lion Controls harmless from, defend, and indemnify RLC against damages, claims, and expenses arising out of subsequent sales of RLC products or products containing components manufactured by RLC and based upon personal injuries, deaths, property damage, lost profits, and other matters which Buyer, its employees, or sub-contractors are or may be to any extent liable, including without limitation penalties imposed by the Consumer Product Safety Act (P.L. 92-573) and liability imposed upon any person pursuant to the Magnuson-Moss Warranty Act (P.L. 93-637), as now in effect or as amended hereafter.

No warranties expressed or implied are created with respect to The Company's products except those expressly contained herein. The Customer acknowledges the disclaimers and limitations contained herein and relies on no other warranties or affirmations.