



Chipsmall Limited consists of a professional team with an average of over 10 year of expertise in the distribution of electronic components. Based in Hongkong, we have already established firm and mutual-benefit business relationships with customers from,Europe,America and south Asia,supplying obsolete and hard-to-find components to meet their specific needs.

With the principle of “Quality Parts,Customers Priority,Honest Operation,and Considerate Service”,our business mainly focus on the distribution of electronic components. Line cards we deal with include Microchip,ALPS,ROHM,Xilinx,Pulse,ON,Everlight and Freescale. Main products comprise IC,Modules,Potentiometer,IC Socket,Relay,Connector.Our parts cover such applications as commercial,industrial, and automotives areas.

We are looking forward to setting up business relationship with you and hope to provide you with the best service and solution. Let us make a better world for our industry!



## Contact us

Tel: +86-755-8981 8866 Fax: +86-755-8427 6832

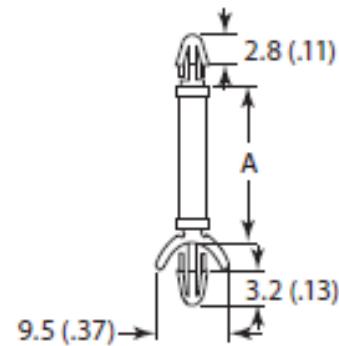
Email & Skype: info@chipsmall.com Web: www.chipsmall.com

Address: A1208, Overseas Decoration Building, #122 Zhenhua RD., Futian, Shenzhen, China



Material: UL94 V-2 Nylon 6/6		
Color: Natural		
Part No.	A	
	mm	in
CBLS305A	3.2	.126
CBLS310A	4.8	.189
CBLS315A	6.4	.252
CBLS320A	7.9	.311
CBLS325A	9.5	.374
CBLS330A	11.1	.437
CBLS335A	12.7	.500
CBLS340A	14.3	.563
CBLS345A	15.9	.626
CBLS350A	19	.748



TO SNAP LOCK IN A 3 (.118) Ø HOLE, IN A  
1.2 - 1.7 (.047 - .067) PANEL THICKNESS



TO SNAP LOCK IN A 3 (.118) Ø HOLE, IN A  
0.8 - 2 (.031 - .078) PANEL THICKNESS

TOLERANCES  
UNLESS NOTED

≤ 5 mm	±0.2
5 - 20 mm	±0.3
20 - 40 mm	±0.4
40 - 60 mm	±0.5
60 - 100 mm	±0.8
≥ 100 mm	±1.0

TITLE: DUAL LOCKING CIRCUIT BOARD SUPPORT			 DWG IN MM (IN)	
FILE: CBLS3XX	DWN: CLC			
SHEET: 1 OF 1	SHEET SIZE: A	DT: 01/08/15	PART #	PRINT TYPE
RE:		 ESSENTRA COMPONENTS		SEE TABLE CA