



Chipsmall Limited consists of a professional team with an average of over 10 year of expertise in the distribution of electronic components. Based in Hongkong, we have already established firm and mutual-benefit business relationships with customers from,Europe,America and south Asia,supplying obsolete and hard-to-find components to meet their specific needs.

With the principle of “Quality Parts,Customers Priority,Honest Operation,and Considerate Service”,our business mainly focus on the distribution of electronic components. Line cards we deal with include Microchip,ALPS,ROHM,Xilinx,Pulse,ON,Everlight and Freescale. Main products comprise IC,Modules,Potentiometer,IC Socket,Relay,Connector.Our parts cover such applications as commercial,industrial, and automotives areas.

We are looking forward to setting up business relationship with you and hope to provide you with the best service and solution. Let us make a better world for our industry!



Contact us

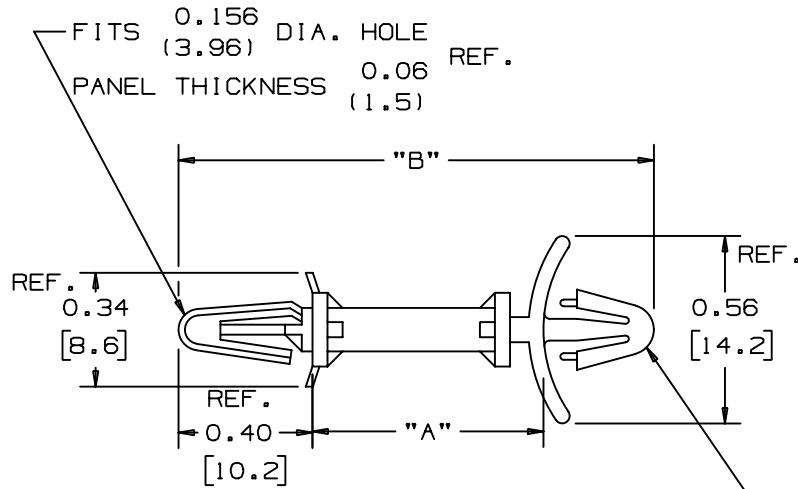
Tel: +86-755-8981 8866 Fax: +86-755-8427 6832

Email & Skype: info@chipsmall.com Web: www.chipsmall.com

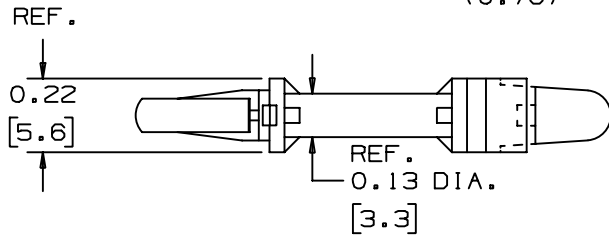
Address: A1208, Overseas Decoration Building, #122 Zhenhua RD., Futian, Shenzhen, China



THIS COPY IS PROVIDED ON A RESTRICTED BASIS AND IS NOT TO BE USED IN ANY WAY DETRIMENTAL TO THE INTERESTS OF PANDUIT CORP.



REF: FITS 0.187 TO 0.192 DIA. HOLE (4.75) (4.88)
 PANEL THICKNESS 0.03 TO 0.08 (0.76) (2.03)



PANDUIT PART NO. *	"A" in/mm	"B" in/mm	WEIGHT lbs/100 (g)/pcs
CBLS18	0.18 (4.6)	0.92 (23.4)	0.024 (11)
CBLS25	0.25 (6.4)	0.98 (24.9)	0.051 (23)
CBLS37	0.37 (9.4)	1.11 (28.2)	0.075 (34)
CBLS50	0.50 (12.7)	1.23 (31.2)	0.099 (45)
CBLS62	0.62 (15.7)	1.35 (34.3)	0.123 (56)
CBLS75	0.75 (19.1)	1.48 (37.6)	0.150 (68)

NOTE:

* SEE CURRENT PRICE SHEET FOR PART NUMBER SUFFIX, DESIGNATION FOR PACKAGE SIZE AND PART COLOR.

(DIMENSIONS IN PARENTHESES ARE IN METRIC.)

CAD FILENAME/LAYERS

G00239HL_PI_CBLS_00

PANDUIT CORP. TINLEY PARK, ILLINOIS
 CBLS
 CIRCUIT BOARD LOCKING SUPPORT

UNLESS OTHERWISE SPECIFIED,
 DIMENSIONAL TOLERANCES ARE:
 (.X) ±0.1(2.5) (.XXX) ±0.020(.5)
 (.XX) ±0.05(1.3) ANGLES ±5°

UNLESS OTHERWISE SPECIFIED,
 ALL DIMENSIONS ARE GIVEN
 IN INCHES, THIRD ANGLE PROJECTION.

DRAWN BY
 LGG

MAT'L:

SCALE
 2X

DATE
 6/13/01

NYLON 6/6

DRAWING NO.
 GB0239HL

DWG
 A
 SIZE

REV	DATE	BY	CHK	DESCRIPTION	ECN	R	CUST	SUP
R	6-13-01	LGG		CHANGED DRAWING FROM SS-18657 (RV 4)	GB0239HL	R		