



Chipsmall Limited consists of a professional team with an average of over 10 year of expertise in the distribution of electronic components. Based in Hongkong, we have already established firm and mutual-benefit business relationships with customers from,Europe,America and south Asia,supplying obsolete and hard-to-find components to meet their specific needs.

With the principle of “Quality Parts,Customers Priority,Honest Operation,and Considerate Service”,our business mainly focus on the distribution of electronic components. Line cards we deal with include Microchip,ALPS,ROHM,Xilinx,Pulse,ON,Everlight and Freescale. Main products comprise IC,Modules,Potentiometer,IC Socket,Relay,Connector.Our parts cover such applications as commercial,industrial, and automotives areas.

We are looking forward to setting up business relationship with you and hope to provide you with the best service and solution. Let us make a better world for our industry!



Contact us

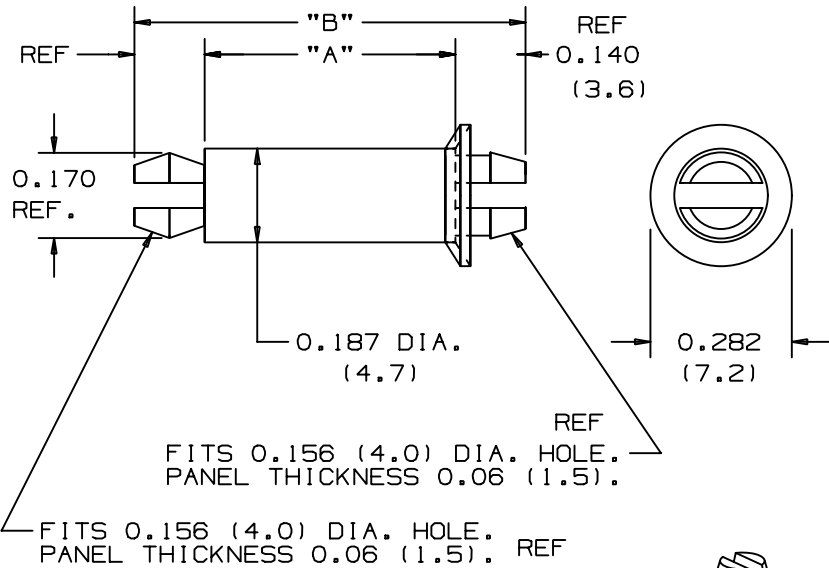
Tel: +86-755-8981 8866 Fax: +86-755-8427 6832

Email & Skype: info@chipsmall.com Web: www.chipsmall.com

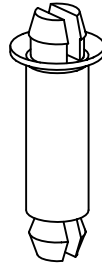
Address: A1208, Overseas Decoration Building, #122 Zhenhua RD., Futian, Shenzhen, China



THIS COPY IS PROVIDED ON A RESTRICTED BASIS AND IS NOT TO BE USED IN ANY WAY DETRIMENTAL TO THE INTERESTS OF PANDUIT CORP.



*PANDUIT PART NO.	A (REF) in/(mm) STANDOFF HEIGHT	B in/(mm)	WEIGHT lbs(g)/100pcs
CBP12	0.12 (3.0)	0.40 (10.2)	0.029 (13)
CBP25	0.25 (6.4)	0.53 (13.5)	0.042 (19)
CBP31	0.31 (7.9)	0.59 (15.0)	0.048 (22)
CBP37	0.37 (9.4)	0.62 (15.7)	0.055 (25)
CBP50	0.50 (12.7)	0.78 (19.8)	0.068 (31)
CBP62	0.62 (15.7)	0.90 (22.9)	0.081 (37)
CBP75	0.75 (19.1)	1.03 (26.2)	0.090 (41)
CBP87	0.87 (22.1)	1.15 (29.2)	0.106 (48)
CBP100	1.00 (25.4)	1.28 (32.5)	0.119 (54)



NOTE:

*1. SEE CURRENT PRICE SHEET FOR PART NUMBER SUFFIX DESIGNATION FOR PACKAGE SIZE AND PART NUMBER.

(DIMENSIONS IN PARENTHESES ARE IN METRIC.)

CAD FILENAME/LAYERS

G00239BK_PB_CBP_03



CORP. TINLEY PARK, ILLINOIS

CBP - CIRCUIT BOARD POST

REV	DATE	BY	CHK	DESCRIPTION	ECN	R	CUST	SUP
3	5-2-02	LGG		ADDED HEIGHT AND REFERENCE TO DIM 'A' TABLE	G0239BK	3		
2	6-26-01	LGG		ADDED REF TO DIM UPDATED FOR WEB	G0239BK	2		
1	6-26-96	CJG		ADDED .170 REF. DIM.	G0239BK	1		
R	1-9-93	JRL		INITIAL RELEASE	G0239BK	R		

UNLESS OTHERWISE SPECIFIED, DIMENSIONAL TOLERANCES ARE:
 (.X) ±0.1(2.5) (.XXX) ±0.020(1.5)
 (.XX) ±0.05(1.3) ANGLES ±5°

UNLESS OTHERWISE SPECIFIED, ALL DIMENSIONS ARE GIVEN IN INCHES, THIRD ANGLE PROJECTION.

DRAWN BY JRL

MAT'L:

SCALE NONE

DATE 1/8/93

NYLON 6/6

DRAWING NO.

G0239BK

DWG SIZE A