



Chipsmall Limited consists of a professional team with an average of over 10 year of expertise in the distribution of electronic components. Based in Hongkong, we have already established firm and mutual-benefit business relationships with customers from,Europe,America and south Asia,supplying obsolete and hard-to-find components to meet their specific needs.

With the principle of "Quality Parts,Customers Priority,Honest Operation,and Considerate Service",our business mainly focus on the distribution of electronic components. Line cards we deal with include Microchip,ALPS,ROHM,Xilinx,Pulse,ON,Everlight and Freescale. Main products comprise IC,Modules,Potentiometer,IC Socket,Relay,Connector.Our parts cover such applications as commercial,industrial, and automotives areas.

We are looking forward to setting up business relationship with you and hope to provide you with the best service and solution. Let us make a better world for our industry!



Contact us

Tel: +86-755-8981 8866 Fax: +86-755-8427 6832

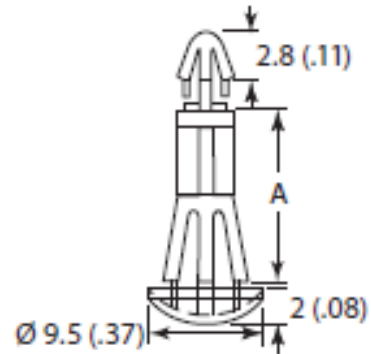
Email & Skype: info@chipsmall.com Web: www.chipsmall.com

Address: A1208, Overseas Decoration Building, #122 Zhenhua RD., Futian, Shenzhen, China



Material: UL94 V-2 Nylon 6/6		
Color: Natural		
Part No.	A	
	mm	in
CBRLDS305A	3.5	.138
CBRLDS310A	4.8	.189
CBRLDS315A	6.4	.252
CBRLDS320A	7	.276
CBRLDS325A	8	.315
CBRLDS330A	10	.394
CBRLDS335A	11	.433
CBRLDS340A	12.7	.500
CBRLDS345A	15.9	.626

TO SNAP LOCK IN A 3 (.118) Ø HOLE, IN A
1.6 (.062) PANEL THICKNESS



TO SNAP LOCK IN A 5.5 (.216) Ø HOLE, IN A
0.8 - 1.6 (.031 - .062) PANEL THICKNESS

TOLERANCES
UNLESS NOTED

≤ 5 mm	±0.2
5 - 20 mm	±0.3
20 - 40 mm	±0.4
40 - 60 mm	±0.5
60 - 100 mm	±0.8
≥ 100 mm	±1.0

TITLE: DUAL LOCKING CIRCUIT BOARD SUPPORT				
FILE# CBRLDS3XX			DWG IN MM (IN)	
SHEET: 1 OF 1	SHEET SIZE: A	DT: 01/08/15	PART #	PRINT TYPE
RE:			SEE TABLE	CA