



Chipsmall Limited consists of a professional team with an average of over 10 year of expertise in the distribution of electronic components. Based in Hongkong, we have already established firm and mutual-benefit business relationships with customers from,Europe,America and south Asia,supplying obsolete and hard-to-find components to meet their specific needs.

With the principle of “Quality Parts,Customers Priority,Honest Operation,and Considerate Service”,our business mainly focus on the distribution of electronic components. Line cards we deal with include Microchip,ALPS,ROHM,Xilinx,Pulse,ON,Everlight and Freescale. Main products comprise IC,Modules,Potentiometer,IC Socket,Relay,Connector.Our parts cover such applications as commercial,industrial, and automotives areas.

We are looking forward to setting up business relationship with you and hope to provide you with the best service and solution. Let us make a better world for our industry!



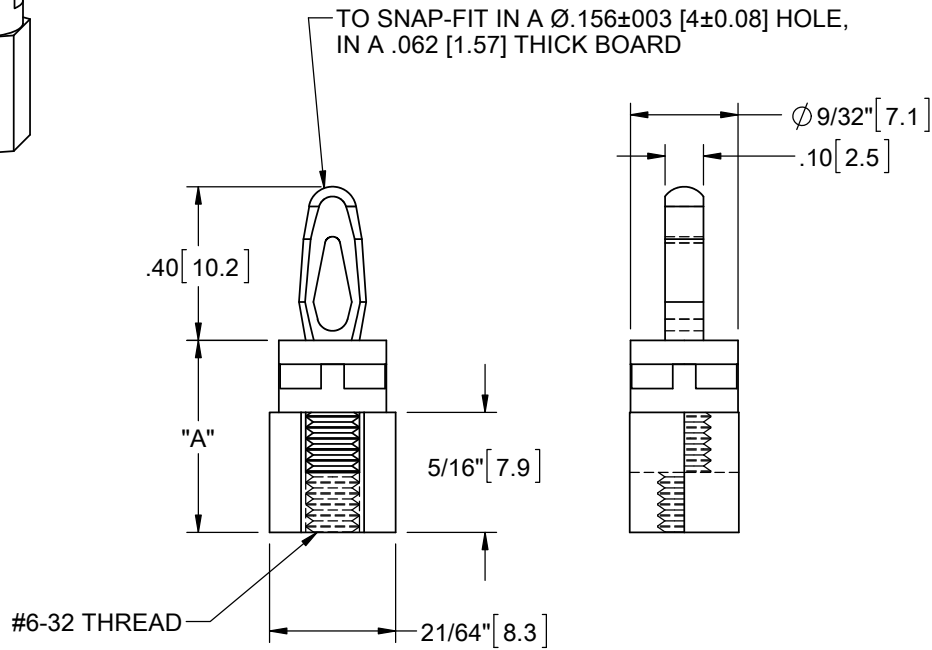
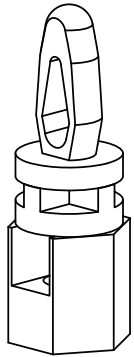
Contact us

Tel: +86-755-8981 8866 Fax: +86-755-8427 6832

Email & Skype: info@chipsmall.com Web: www.chipsmall.com

Address: A1208, Overseas Decoration Building, #122 Zhenhua RD., Futian, Shenzhen, China



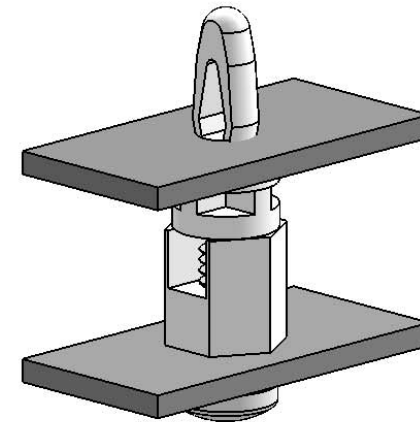


MATERIAL: NYLON 6/6
UL94 V-2 (RMS-01),
COLOR NATURAL.
PART NO.

MATERIAL: NYLON 6/6
UL94 V-0 (RMS-19),
COLOR NATURAL.
PART NO.

"A"±.015

CBS-TF-6-01	CBS-TF-6-19	3/8 [9.5]
CBS-TF-8-01	CBS-TF-8-19	1/2 [12.7]
CBS-TF-10-01	CBS-TF-10-19	5/8 [15.9]
CBS-TF-12-01	CBS-TF-12-19	3/4 [19.1]
CBS-TF-14-01	CBS-TF-14-19	7/8 [22.2]
CBS-TF-16-01	CBS-TF-16-19	1 [25.4]



NOTES:
1. THREAD M4 AVAILABLE BY SPECIAL ORDER. TO ORDER
ADD "-M4" TO PART NO. EXAMPLE: CBS-TF-M4-8-XX

TITLE: CBS THREADED FEMALE		UNITS= IN [MM]		FINAL	
CREATED USING SOLIDWORKS	FILE #: CBS-TF	DWN: SK	APP: SK	PART #	
TOLERANCES UNLESS NOTED	SHEET: 1 OF 1	SHEET SIZE: A	DT: 09/23/11	CHKD: MJB	PRINT TYPE
XX=±.010	RE: RICHCO, INC.		RICHCO, INC.		CA
.XXX=±.005			WWW.RICHCO-INC.COM		
FRAC.=±1/64			SEE TABLE		
ANG.=±1°					

E	REDRAWN, SEE CO 200713	SK	09/23/11
-	SEE ENGINEERING FOR REV A TO D	---	----
REV.	DESCRIPTION	ENGR.	DATE