



Chipsmall Limited consists of a professional team with an average of over 10 year of expertise in the distribution of electronic components. Based in Hongkong, we have already established firm and mutual-benefit business relationships with customers from,Europe,America and south Asia,supplying obsolete and hard-to-find components to meet their specific needs.

With the principle of “Quality Parts,Customers Priority,Honest Operation,and Considerate Service”,our business mainly focus on the distribution of electronic components. Line cards we deal with include Microchip,ALPS,ROHM,Xilinx,Pulse,ON,Everlight and Freescale. Main products comprise IC,Modules,Potentiometer,IC Socket,Relay,Connector.Our parts cover such applications as commercial,industrial, and automotives areas.

We are looking forward to setting up business relationship with you and hope to provide you with the best service and solution. Let us make a better world for our industry!



Contact us

Tel: +86-755-8981 8866 Fax: +86-755-8427 6832

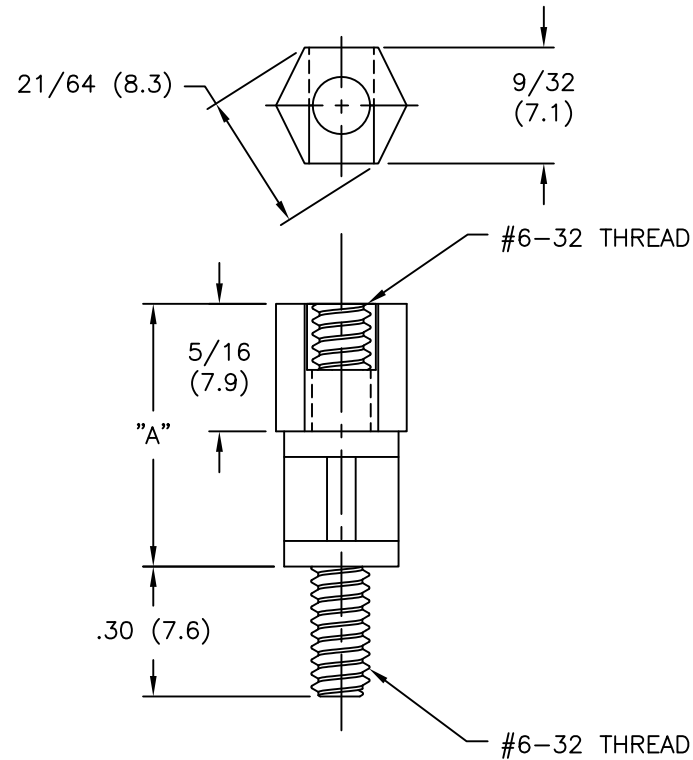
Email & Skype: info@chipsmall.com Web: www.chipsmall.com

Address: A1208, Overseas Decoration Building, #122 Zhenhua RD., Futian, Shenzhen, China



AVAILABLE BY SPECIAL ORDER ONLY

NYLON 6/6 (RMS-01) COLOR: NATURAL PART NO.	FLAME RET. (RMS-19) COLOR: NATURAL PART NO.	"A" ±.015 (±0.4)
CBS-TFM-6-01	CBS-TFM-6-19	3/8 (9.5)
CBS-TFM-8-01	CBS-TFM-8-19	1/2 (12.7)
CBS-TFM-10-01	CBS-TFM-10-19	5/8 (15.9)
CBS-TFM-12-01	CBS-TFM-12-19	3/4 (19.1)
CBS-TFM-14-01	CBS-TFM-14-19	7/8 (22.2)
CBS-TFM-16-01	CBS-TFM-16-19	1 (25.4)



NOTES:

- M4 THREAD AVAILABLE BY SPECIAL ORDER ONLY.
TO ORDER, ADD "-M4" TO PART NO.
EXAMPLE: CBS-TFM-M4-8-XX

TITLE: CBS THREADED FEMALE-MALE			DWG IN IN(MM)		FINAL		PRINT TYPE		
F	SEE ECN #862 FOR CHANGES	SM 10.04.04	FILE #	CBS-TFM	DWN:	P.B.	APP:	PART # SEE TABLE	PRINT TYPE CA
E	UPDATED PRINT AND CHANGED FILE NO.	SM 05.08.02	MAT'L:	SEE TABLE	DT:	06-20-94	DT:		
D	FR-NYLON REMOVED FROM CHART	J.L. 2.17.98	RE:	RICHCO, INC.	RICHCO INC. PO BOX 804238, CHICAGO, 60680 (773) 539-4060				
C	MAT'L RMS-19 ADDED	J.L. 12.18.97	TOLERANCES UNLESS NOTED						
B	CHANGED PART # AND ADD DIM & NOTES	JB 09.27.95	.XX=±.010						
A	CONVERTED TO ACAD	PB 06.20.94	.XXX=±.005						
REV	DESCRIPTION	ENGR DATE	FRAC=±1/64						
			ANG=±1°						