



Chipsmall Limited consists of a professional team with an average of over 10 year of expertise in the distribution of electronic components. Based in Hongkong, we have already established firm and mutual-benefit business relationships with customers from,Europe,America and south Asia,supplying obsolete and hard-to-find components to meet their specific needs.

With the principle of "Quality Parts,Customers Priority,Honest Operation,and Considerate Service",our business mainly focus on the distribution of electronic components. Line cards we deal with include Microchip,ALPS,ROHM,Xilinx,Pulse,ON,Everlight and Freescale. Main products comprise IC,Modules,Potentiometer,IC Socket,Relay,Connector.Our parts cover such applications as commercial,industrial, and automotives areas.

We are looking forward to setting up business relationship with you and hope to provide you with the best service and solution. Let us make a better world for our industry!



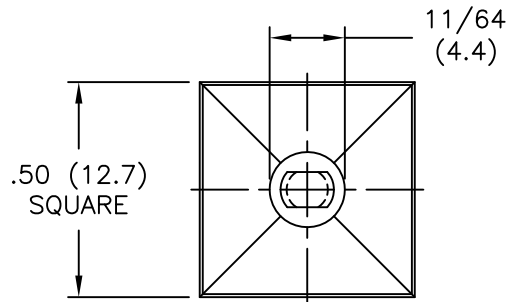
## Contact us

Tel: +86-755-8981 8866 Fax: +86-755-8427 6832

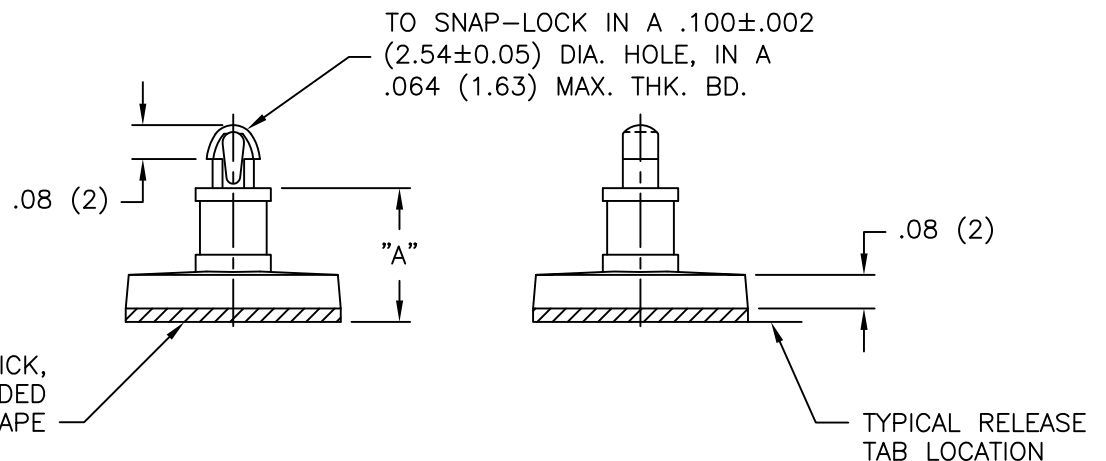
Email & Skype: info@chipsmall.com Web: www.chipsmall.com

Address: A1208, Overseas Decoration Building, #122 Zhenhua RD., Futian, Shenzhen, China





PART NO.	DIM. "A" ±.015 (±0.4)
CBSBT-3-01A-RT	3/16 (4.76)
CBSBT-4-01A-RT	1/4 (6.35)
CBSBT-5-01A-RT	5/16 (7.94)
CBSBT-6-01A-RT	3/8 (9.53)
CBSBT-7-01A-RT	7/16 (11.11)
CBSBT-8-01A-RT	1/2 (12.70)
CBSBT-9-01A-RT	9/16 (14.29)
CBSBT-10-01A-RT	5/8 (15.88)



NOTES:

- MAT'L: NYLON 6/6 (RMS-01).  
FLAME RETARDANT, NYLON (RMS-19),  
AVAILABLE BY SPECIAL ORDER ONLY.
- COLOR: NATURAL.
- ACRYLIC ADHESIVE TAPE (RMS-15), WHITE LINER.  
PART ALSO AVAILABLE WITHOUT TAPE.  
TO ORDER REMOVE "A-RT" FROM PART NO.  
[SUBTRACT 1/32 (0.8) FROM "A" DIM]
- RUBBER BASED ADHESIVE TAPE (RMS-102),  
AVAILABLE BY SPECIAL ORDER ONLY.  
TO ORDER REPLACE "A-RT" WITH "A1-RT".

1/32 (0.8) THICK,  
DOUBLE SIDED  
ADHESIVE TAPE

TYPICAL RELEASE  
TAB LOCATION

G   SEE C0200705 FOR CHANGES   SK 09.07.11			TITLE: CIRCUIT BOARD SUPPORT ON BASE, TEARDROP			DWG IN IN (MM) FINAL		PRINT TYPE CA	
-   SEE ENG FOR REVISIONS A TO F   -----			TOLERANCES UNLESS NOTED .XX=±.010 .XXX=±.005 FRAC=±1/64 ANG=±1°		FILE # CBSBT	DWN: P.B.	APP:	PART #	
REV   DESCRIPTION   ENGR DATE			MAT'L: SEE NOTES		DT: 02-27-95	DT:	SEE TABLE		
			RE: RICHCO, INC.		RICHCO INC. PO BOX 804238, CHICAGO, 60680 (773) 539-4060				