



Chipsmall Limited consists of a professional team with an average of over 10 year of expertise in the distribution of electronic components. Based in Hongkong, we have already established firm and mutual-benefit business relationships with customers from,Europe,America and south Asia,supplying obsolete and hard-to-find components to meet their specific needs.

With the principle of “Quality Parts,Customers Priority,Honest Operation,and Considerate Service”,our business mainly focus on the distribution of electronic components. Line cards we deal with include Microchip,ALPS,ROHM,Xilinx,Pulse,ON,Everlight and Freescale. Main products comprise IC,Modules,Potentiometer,IC Socket,Relay,Connector.Our parts cover such applications as commercial,industrial, and automotives areas.

We are looking forward to setting up business relationship with you and hope to provide you with the best service and solution. Let us make a better world for our industry!



Contact us

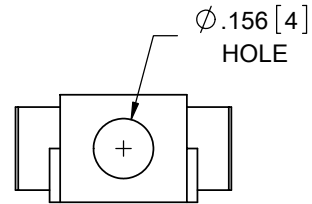
Tel: +86-755-8981 8866 Fax: +86-755-8427 6832

Email & Skype: info@chipsmall.com Web: www.chipsmall.com

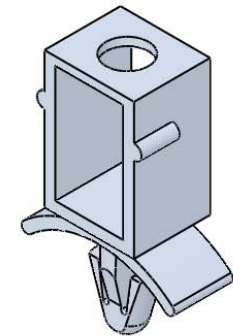
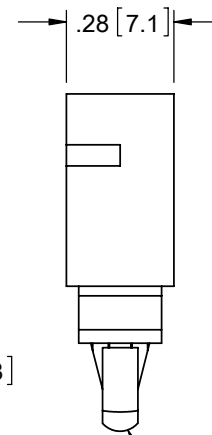
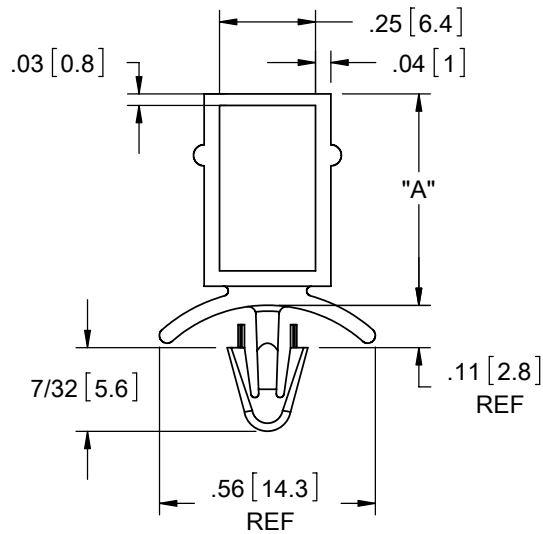
Address: A1208, Overseas Decoration Building, #122 Zhenhua RD., Futian, Shenzhen, China



AVAILABLE BY SPECIAL ORDER ONLY



MATERIAL: NYLON 6/6 UL 94 V-2 (RMS-01) COLOR: NATURAL PART NO.	MATERIAL: NYLON 6/6 UL 94 V-0 (RMS-19) COLOR: NATURAL PART NO.	"A"±.015 [0.4]
CBSS-8-01	CBSS-8-19	.43 [10.9]
CBSS-10-01	CBSS-10-19	.55 [14]
CBSS-12-01	CBSS-12-19	.68 [17.3]
CBSS-14-01	CBSS-14-19	.80 [20.3]



TO SNAP-LOCK IN A .156±.003
[4±0.08] DIA. HOLE, IN A
.031-.078 [0.79-1.98] PANEL THICKNESS

NOTE: WHEN USED IN STACKING APPLICATION,
RECOMMENDED MAX. PANEL THICKNESS
BETWEEN CBSS PARTS IS .070 [1.78]

NOTES:
1. ALTERNATE UNITS FOR REFERENCE ONLY

TITLE: CIRCUIT BOARD STACKING SPACERS					DWG IN IN [MM]	
CREATED USING SOLIDWORKS	FILE #: CBSS	DWN: SK	APP: RT	FINAL		
TOLERANCES UNLESS NOTED	SHEET: 1 OF 1	SHEET SIZE: A	DT: 11/29/06	CHKD: DZ	PART #	PRINT TYPE
XX=±.010 .XXX=±.005 FRAC.=±1/64 ANG.=±1°	RE: RICHCO, INC.	RICHCO, INC. ENG@RICHCO-INC.COM (773) 539-4060		SEE TABLE	CA	

REV.	DESCRIPTION	ENGR.	DATE
D	REDRAWN, SEE ECN #1258 FOR CHANGES	SK	12/05/06
-	SEE ENGINEERING FOR REVISIONS A-C	---	----