



Chipsmall Limited consists of a professional team with an average of over 10 year of expertise in the distribution of electronic components. Based in Hongkong, we have already established firm and mutual-benefit business relationships with customers from,Europe,America and south Asia,supplying obsolete and hard-to-find components to meet their specific needs.

With the principle of “Quality Parts,Customers Priority,Honest Operation,and Considerate Service”,our business mainly focus on the distribution of electronic components. Line cards we deal with include Microchip,ALPS,ROHM,Xilinx,Pulse,ON,Everlight and Freescale. Main products comprise IC,Modules,Potentiometer,IC Socket,Relay,Connector.Our parts cover such applications as commercial,industrial, and automotives areas.

We are looking forward to setting up business relationship with you and hope to provide you with the best service and solution. Let us make a better world for our industry!



Contact us

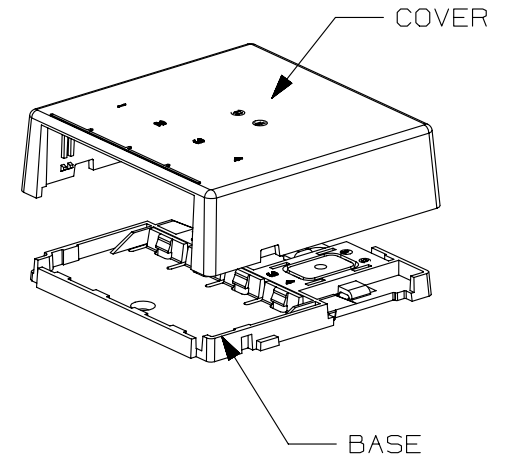
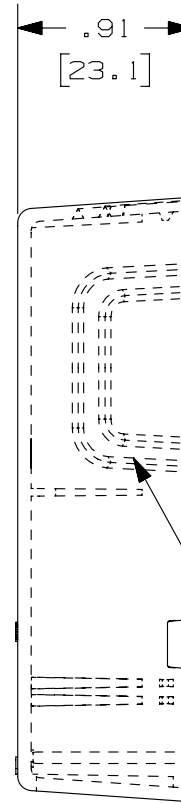
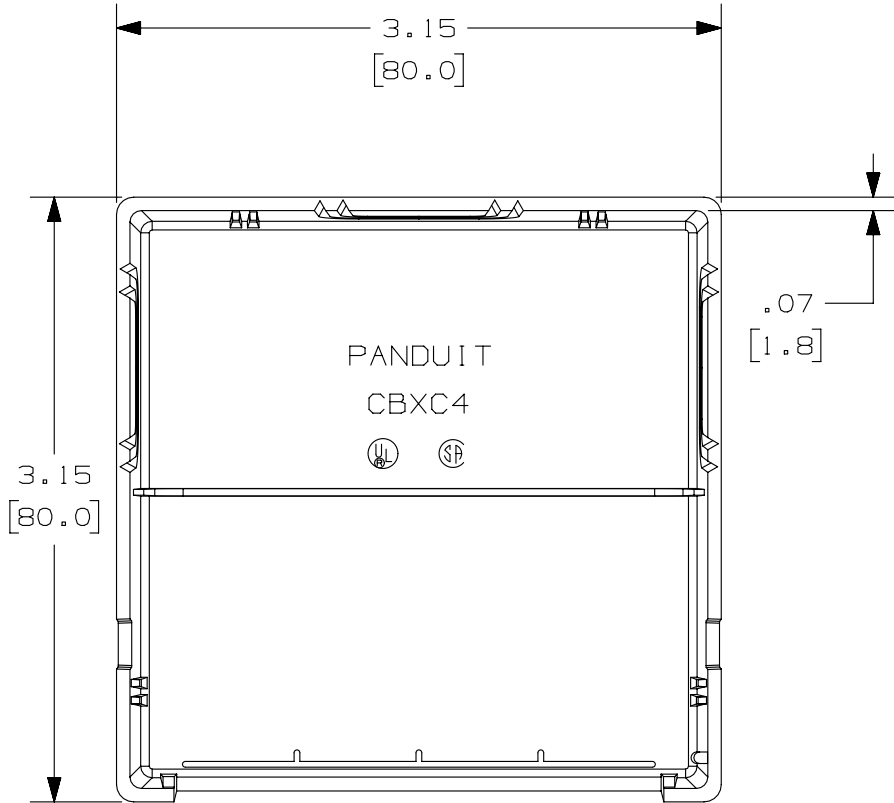
Tel: +86-755-8981 8866 Fax: +86-755-8427 6832

Email & Skype: info@chipsmall.com Web: www.chipsmall.com

Address: A1208, Overseas Decoration Building, #122 Zhenhua RD., Futian, Shenzhen, China



THIS COPY IS PROVIDED ON A RESTRICTED BASIS AND IS NOT TO BE USED IN ANY WAY DETRIMENTAL TO THE INTERESTS OF PANDUIT CORP.



BREAKOUT AREA
(3 PLACES)
SEE NOTE 5

PART NUMBER	CBXC4** - A	PRODUCT SPEC/PKG SPEC	N/A
I.I. NUMBER	N/A	WORK INSTRUCTION	N/A

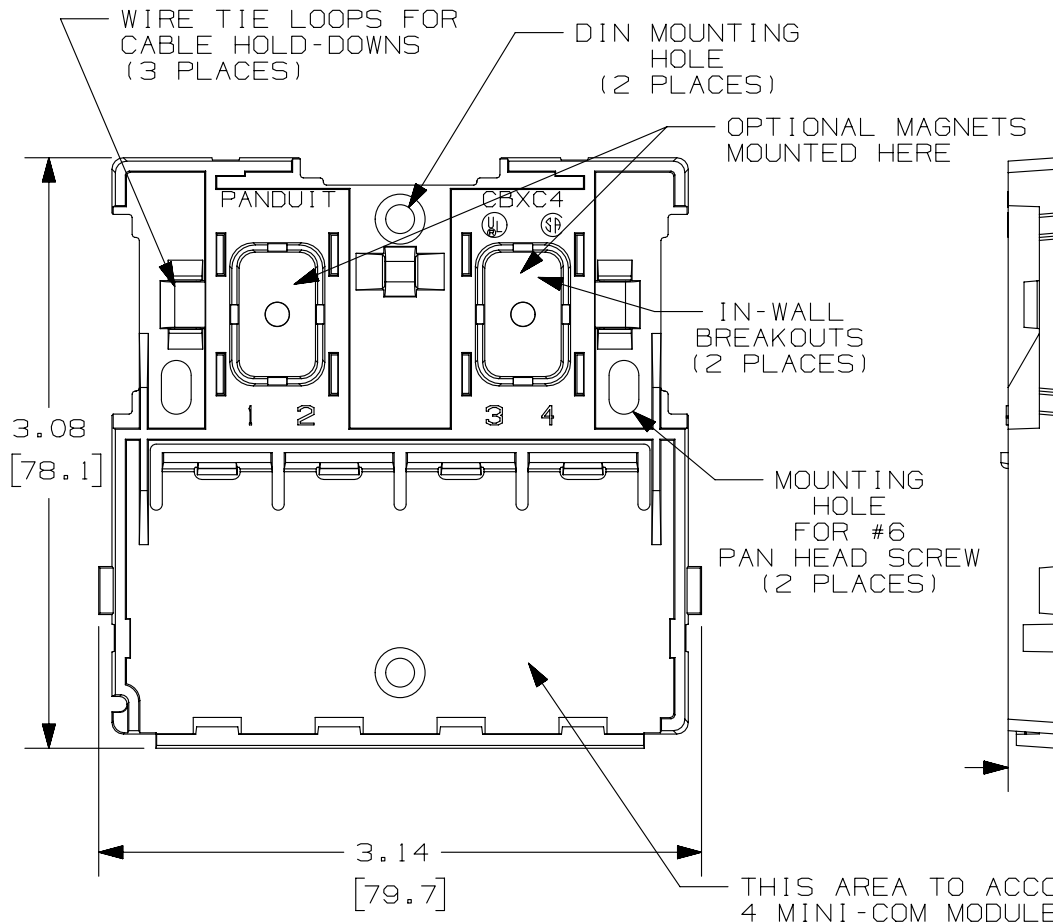
TITLE	MINICOM LOW PROFILE 4 PORT SURFACE MOUNT BOX		
	CUSTOMER DRAWING		
ITEM REVISION NAME	M00056BE/04.PRT		
DATASET FILE NAME	M00056BE_DC/04B.PRT		

UNLESS OTHERWISE SPECIFIED, DIMENSIONAL TOLERANCES ARE: IN [mm]		PANDUIT TM
.x ±	.xxx ± .010 [.3]	
.xx ± .03 [.8]	ANGLES ±	MATERIAL: ABS
 THIRD ANGLE PROJECTION		DRAWING NUMBER: 00056-03

3	7-01-13	MDJR	JSP	JSP	SEE SHEET 1 OF 2.	00056-03
2	11-14-12	BJN	JSP	JSP	SEE SHEET 1 OF 2	00056-03
1	11-17-98	JSP	PBD	CYM	SEE SHEET 1 OF 2	00056-03
R	9-9-98	JSP	PBD	RJD	SEE SHEET 1 OF 2	00056-03

REV	DATE	BY	CHK	APR	DESCRIPTION	ECN	DRAWN BY	DATE	CHK	SCALE	SHT 2 OF 2	SIZE
							JSP	9-9-98	PBD	NONE		A

THIS COPY IS PROVIDED ON A RESTRICTED BASIS AND IS NOT TO BE USED IN ANY WAY DETRIMENTAL TO THE INTERESTS OF PANDUIT CORP.



PANDUIT P/N	WEIGHT
CBXC4**-A	.79 LB/10 PCS (359.5 g/10 PCS) △A

NOTES:

1. SEE CURRENT CATALOG FOR ADDITIONAL PART NUMBER SUFFIXES TO INDICATE COLOR AND OR PACKAGE QUANTITY.
2. SEE CATALOG FOR A COMPLETE LIST OF PARTS APPLICABLE FOR USE WITH THIS PART.
3. OPTIONAL MAGNET (CBM-X) ADHERES TO BOX BASE IN TWO LOCATIONS FOR MOUNTING ON METAL SURFACES.
4. DIMENSIONS IN PARENTHESES ARE IN METRIC.
5. BREAKOUTS DESIGNED TO ACCEPT LD3 AND LD5 RACEWAYS.
6. LOW PROFILE BOX HOLDS UP TO 4 MINI-COM MODULES.
7. ALSO INCLUDED WITH BOX:
 - a. (1) PLT1.51-C PAN-TY
 - b. (2) STRIPS OF 1.25" X .75" 32W125X75STR FOAM TAPE FOR MOUNTING. (BASE CONTAINS TAPE LOCATION INDICATORS.)

NO WARRANTY, EXPRESSED OR IMPLIED, IS MADE BY PANDUIT WITH RESPECT TO ADHESIVE BOND PERFORMANCE. AMONG OTHER THINGS, THE CONDITIONS UNDER WHICH THESE MOUNTS MAY BE APPLIED AND/OR THE SURFACE TO WHICH THEY MAY BE APPLIED ARE BEYOND PANDUIT'S CONTROL.

PART NUMBER	CBXC4**-A	PRODUCT SPEC/PKG SPEC	N/A
I.I. NUMBER	N/A	WORK INSTRUCTION	N/A

TITLE
MINICOM LOW PROFILE 4 PORT SURFACE MOUNT BOX
 CUSTOMER DRAWING

ITEM REVISION NAME
M00056BE/04.PRT

DATASET FILE NAME
M00056BE_DC/04B.PRT

UNLESS OTHERWISE SPECIFIED, DIMENSIONAL TOLERANCES ARE: IN [mm]

.x ± .xxx ± .010 [.3]
 .xx ± .03 [.8] ANGLES ±

THIRD ANGLE PROJECTION

MATERIAL:
ABS

DRAWING NUMBER:
00056-03

REV	DATE	BY	CHK	APR	DESCRIPTION	ECN
3	7-01-13	MDJR	JSP	JSP	C. CHANGED TITLE TO MINICOM AND ADDED "4 PORT".	
2	11-14-12	BJN	JSP	JSP	B. UPDATED DRAWING FORMAT TO REFLECT CURRENT LOGO	00056-03
1	11-17-98	JSP	PBD	CYM	A. WEIGHT WAS .32#/10PCS.	00056-03
R	9-9-98	JSP	PBD	FJD	RELEASED TO PRODUCTION	00056-03

DRAWN BY	DATE	CHK	SCALE	SHT 1 OF 2	SIZE
JSP	9-9-98	PBD	NONE		A