



Chipsmall Limited consists of a professional team with an average of over 10 year of expertise in the distribution of electronic components. Based in Hongkong, we have already established firm and mutual-benefit business relationships with customers from,Europe,America and south Asia,supplying obsolete and hard-to-find components to meet their specific needs.

With the principle of “Quality Parts,Customers Priority,Honest Operation,and Considerate Service”,our business mainly focus on the distribution of electronic components. Line cards we deal with include Microchip,ALPS,ROHM,Xilinx,Pulse,ON,Everlight and Freescale. Main products comprise IC,Modules,Potentiometer,IC Socket,Relay,Connector.Our parts cover such applications as commercial,industrial, and automotives areas.

We are looking forward to setting up business relationship with you and hope to provide you with the best service and solution. Let us make a better world for our industry!



Contact us

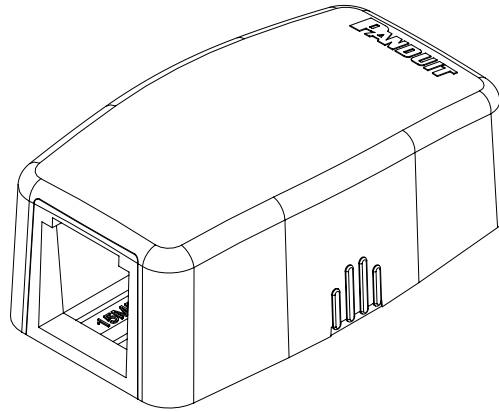
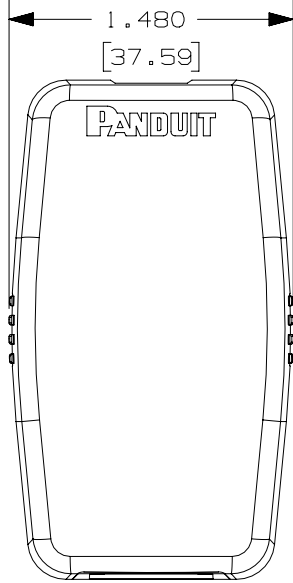
Tel: +86-755-8981 8866 Fax: +86-755-8427 6832

Email & Skype: info@chipsmall.com Web: www.chipsmall.com

Address: A1208, Overseas Decoration Building, #122 Zhenhua RD., Futian, Shenzhen, China



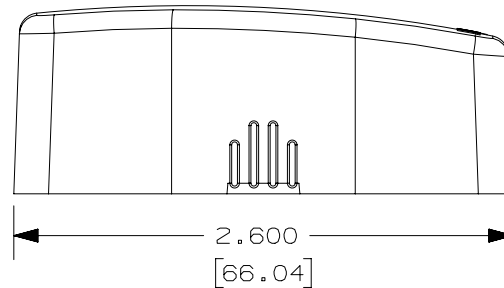
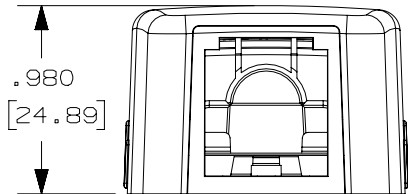
THIS COPY IS PROVIDED ON A RESTRICTED BASIS AND IS NOT TO BE USED IN ANY WAY DETRIMENTAL TO THE INTERESTS OF PANDUIT CORP.




PANDUIT P/N	WEIGHT
CBXQ1**-A	.36 LB/10 PCS 163.4 g/10 PCS

NOTES:

1. SEE CURRENT CATALOG FOR ADDITIONAL PART NUMBER SUFFIXES TO INDICATE COLOR AND OR PACKAGE QUANTITY.
2. SEE CATALOG FOR A COMPLETE LIST OF PARTS APPLICABLE FOR USE WITH THIS PART.
3. DIMENSIONS IN PARENTHESES ARE IN METRIC.
4. BREAKOUTS DESIGNED TO ACCEPT LD3/LDPH3 RACEWAY. (DOES NOT ENTER BOX.)
5. INCLUDED WITH BOX KIT:
 - a. (1) BOX COVER
 - b. (1) BOX BASE
 - c. (1) PLT1M PAN-TY
 - d. (1) STRIP OF 1.00" X .75" TAPE FOR MOUNTING



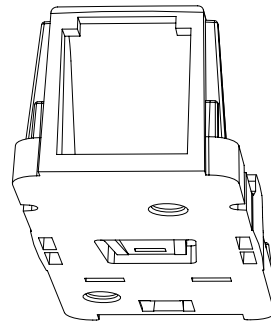
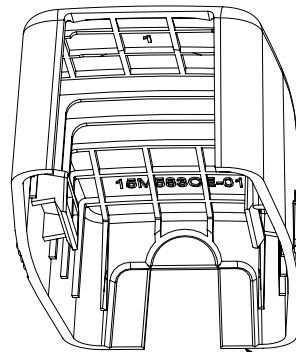
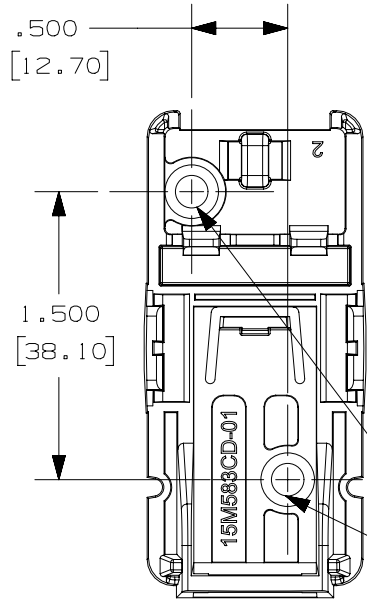
NO WARRANTY, EXPRESSED OR IMPLIED, IS MADE BY PANDUIT WITH RESPECT TO ADHESIVE BOND PERFORMANCE. AMONG OTHER THINGS, THE CONDITIONS UNDER WHICH THESE MOUNTS MAY BE APPLIED AND/OR THE SURFACE TO WHICH THEY MAY BE APPLIED ARE BEYOND PANDUIT'S CONTROL

PART NUMBER		SEE TABLE			
TITLE					
MINI-COM 1 POSITION BOX KIT					
CUSTOMER DRAWING					
ITEM REVISION NAME		15M583CF/16			
DATASET FILE NAME		15M583CF_DC06/16A			
UNLESS OTHERWISE SPECIFIED, DIMENSIONAL TOLERANCES ARE: IN (mm)		 MATERIAL: SEE NOTES			
.X ±				.XXX ±	
.XX ±				ANGLES ±	
DRAWN BY		DATE			
BJN		4-1-16			
CHK		SCALE			
JCO		NONE			
DRAWING NUMBER:		15M583CF - 06			
REV		DATE			
BY		CHK			
APR		DESCRIPTION			
R		4-5-16			
BJN		JCO			
MMR		RELEASED TO PRODUCTION			
ECN		15M583CF-06			
SHT 1 OF 2		A			

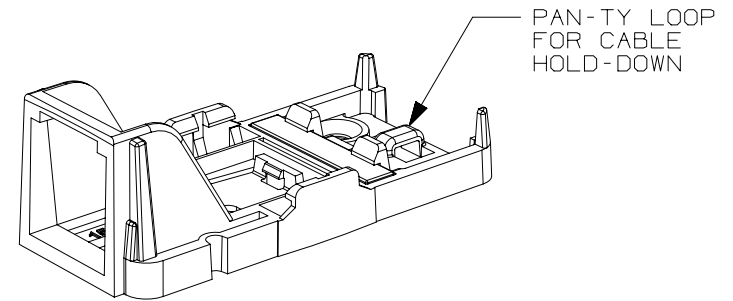
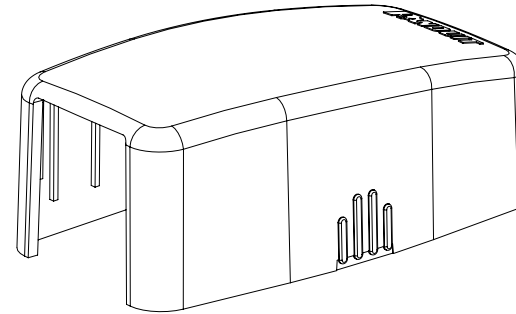
REV	DATE	BY	CHK	APR	DESCRIPTION	ECN
R	4-5-16	BJN	JCO	MMR	RELEASED TO PRODUCTION	15M583CF-06

D10100DA/14

THIS COPY IS PROVIDED ON A RESTRICTED BASIS AND IS NOT TO BE USED IN ANY WAY DETRIMENTAL TO THE INTERESTS OF PANDUIT CORP.



BREAKOUT AREA



PAN-TY LOOP FOR CABLE HOLD-DOWN

MOUNTING HOLES FOR #6 COUNTERSUNK SCREW (NOT INCLUDED)

PART NUMBER		SEE TABLE	
TITLE			
MINI-COM 1 POSITION BOX KIT			
CUSTOMER DRAWING			
ITEM REVISION NAME		15M583CF/16	
DATASET FILE NAME		15M583CF_DC06/16A	
UNLESS OTHERWISE SPECIFIED, DIMENSIONAL TOLERANCES ARE: IN (mm)		PANDUIT	
.X ±			
.XX ±		MATERIAL:	
.XXX ±		SEE NOTES	
ANGLES ±		DRAWING NUMBER:	
THIRD ANGLE PROJECTION		15M583CF - 02	
DRAWN BY	DATE	CHK	SCALE
BJN	4-1-16	JCO	NONE
REV	DATE	BY	CHK
APR			
DESCRIPTION		ECN	
SEE SHEET 1 FOR REVISION HISTORY		15M583CF-02	
SHT 2 OF 2		A	

D10100DA/14