



Chipsmall Limited consists of a professional team with an average of over 10 year of expertise in the distribution of electronic components. Based in Hongkong, we have already established firm and mutual-benefit business relationships with customers from,Europe,America and south Asia,supplying obsolete and hard-to-find components to meet their specific needs.

With the principle of “Quality Parts,Customers Priority,Honest Operation,and Considerate Service”,our business mainly focus on the distribution of electronic components. Line cards we deal with include Microchip,ALPS,ROHM,Xilinx,Pulse,ON,Everlight and Freescale. Main products comprise IC,Modules,Potentiometer,IC Socket,Relay,Connector.Our parts cover such applications as commercial,industrial, and automotives areas.

We are looking forward to setting up business relationship with you and hope to provide you with the best service and solution. Let us make a better world for our industry!



Contact us

Tel: +86-755-8981 8866 Fax: +86-755-8427 6832

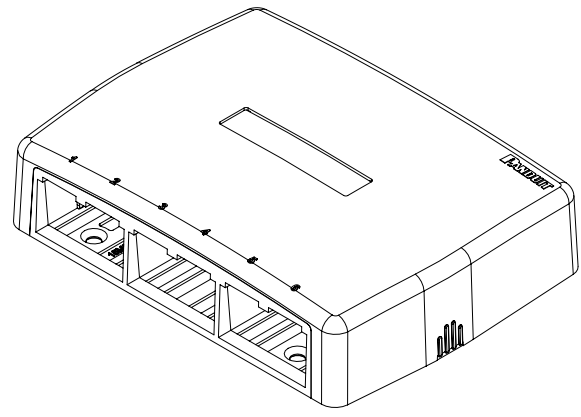
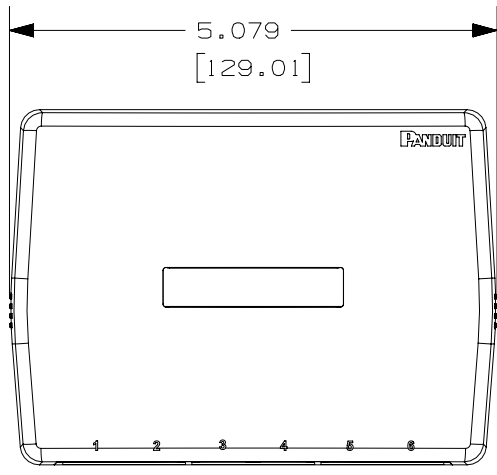
Email & Skype: info@chipsmall.com Web: www.chipsmall.com

Address: A1208, Overseas Decoration Building, #122 Zhenhua RD., Futian, Shenzhen, China

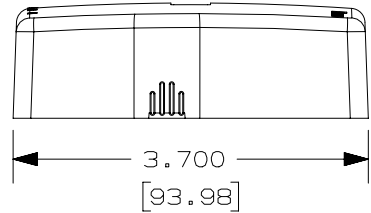
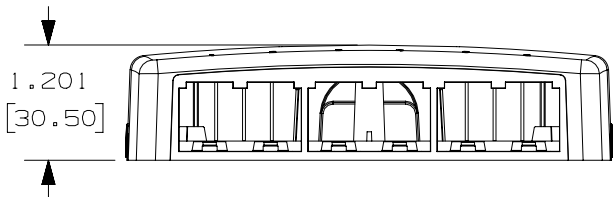


THIS COPY IS PROVIDED ON A RESTRICTED BASIS AND IS NOT TO BE USED IN ANY WAY DETRIMENTAL TO THE INTERESTS OF PANDUIT CORP.

PANDUIT P/N	WEIGHT
CBXQ6**-A	1.27 LB/10 PCS 574.5 g/10 PCS



- NOTES:
- SEE CURRENT CATALOG FOR ADDITIONAL PART NUMBER SUFFIXES TO INDICATE COLOR AND/OR PACKAGE QUANTITY.
 - SEE CATALOG FOR A COMPLETE LIST OF PARTS APPLICABLE FOR USE WITH THIS PART.
 - DIMENSIONS IN PARENTHESES ARE IN METRIC.
 - BREAKOUTS DESIGNED TO ACCEPT LD5/LDPH5 and LD10/LDPH10 RACEWAY.
 - INCLUDED WITH BOX KIT:
 - (1) BOX COVER
 - (1) BOX BASE
 - (2) PLT1M PAN-TY
 - (1) LABEL AND LABEL COVER
 - (1) SCREW (USED TO SECURE COVER TO BASE)
 - (2) STRIP OF 3.00" X .75" FOAM TAPE FOR MOUNTING



NO WARRANTY, EXPRESSED OR IMPLIED, IS MADE BY PANDUIT WITH RESPECT TO ADHESIVE BOND PERFORMANCE. AMONG OTHER THINGS, THE CONDITIONS UNDER WHICH THESE MOUNTS MAY BE APPLIED AND/OR THE SURFACE TO WHICH THEY MAY BE APPLIED ARE BEYOND PANDUIT'S CONTROL

PART NUMBER		SEE TABLE	
TITLE			
MINI-COM 6 PORT BOX w/ QUICK RELEASE COVER			
CUSTOMER DRAWING			
ITEM REVISION NAME		15M583CY/05	
DATASET FILE NAME		15M583CY_DC06/05A	
UNLESS OTHERWISE SPECIFIED, DIMENSIONAL TOLERANCES ARE: IN (mm)			PANDUIT
.X ±	.XXX ±		
.XX ±	ANGLES ±		MATERIAL:
THIRD ANGLE PROJECTION			DRAWING NUMBER:
			15M583CY-06
DRAWN BY	DATE	CHK	SCALE
TWV	7-19-16	JCO	NONE
SHT 1 OF 2			SIZE
			A

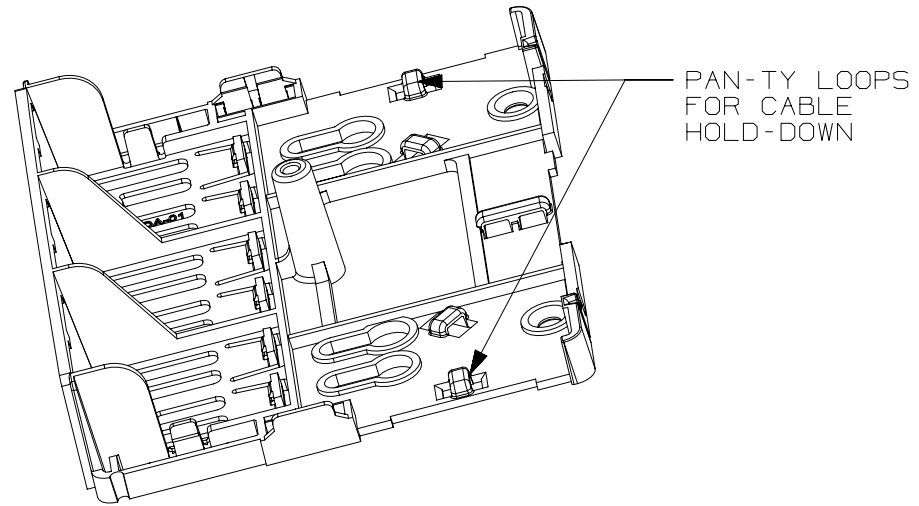
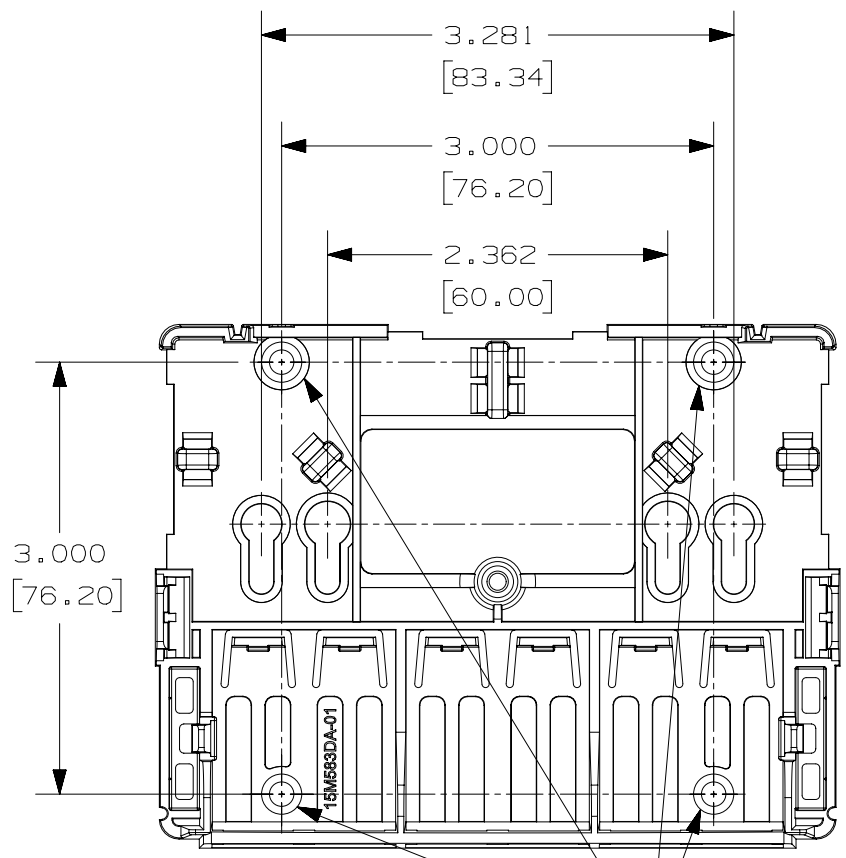
REV	DATE	BY	CHK	APR	DESCRIPTION	ECN
R	7-19-16	TWV	JCO	MMR	RELEASED TO PRODUCTION	15M583CY-06

D10100DA/14

2

1

THIS COPY IS PROVIDED ON A RESTRICTED BASIS AND IS NOT TO BE USED IN ANY WAY DETRIMENTAL TO THE INTERESTS OF PANDUIT CORP.



MOUNTING HOLES FOR #6 COUNTERSUNK SCREW (NOT INCLUDED)

PART NUMBER		SEE TABLE	
TITLE			
MINI-COM 6 PORT BOX w/ QUICK RELEASE COVER			
CUSTOMER DRAWING			
ITEM REVISION NAME		15M583CY/05	
DATASET FILE NAME		15M583CY_DC06/05A	
UNLESS OTHERWISE SPECIFIED, DIMENSIONAL TOLERANCES ARE: IN (mm)			
.X ±		.XXX ±	
.XX ±		ANGLES ±	
		THIRD ANGLE PROJECTION	
DRAWING NUMBER:		15M583CY-06	
DRAWN BY		SCALE	
T WV		NONE	
DATE		SHT 2 OF 2	
7-19-16		A	
CHK		SIZE	
J CO		A	

D10100DA/14

REV	DATE	BY	CHK	APR	DESCRIPTION	ECN
R	7-19-16	T WV	J CO	MMR	SEE SHEET 1 FOR REVISION HISTORY	15M583CY-06

2

1