



Chipsmall Limited consists of a professional team with an average of over 10 year of expertise in the distribution of electronic components. Based in Hongkong, we have already established firm and mutual-benefit business relationships with customers from,Europe,America and south Asia,supplying obsolete and hard-to-find components to meet their specific needs.

With the principle of “Quality Parts,Customers Priority,Honest Operation,and Considerate Service”,our business mainly focus on the distribution of electronic components. Line cards we deal with include Microchip,ALPS,ROHM,Xilinx,Pulse,ON,Everlight and Freescale. Main products comprise IC,Modules,Potentiometer,IC Socket,Relay,Connector.Our parts cover such applications as commercial,industrial, and automotives areas.

We are looking forward to setting up business relationship with you and hope to provide you with the best service and solution. Let us make a better world for our industry!



Contact us

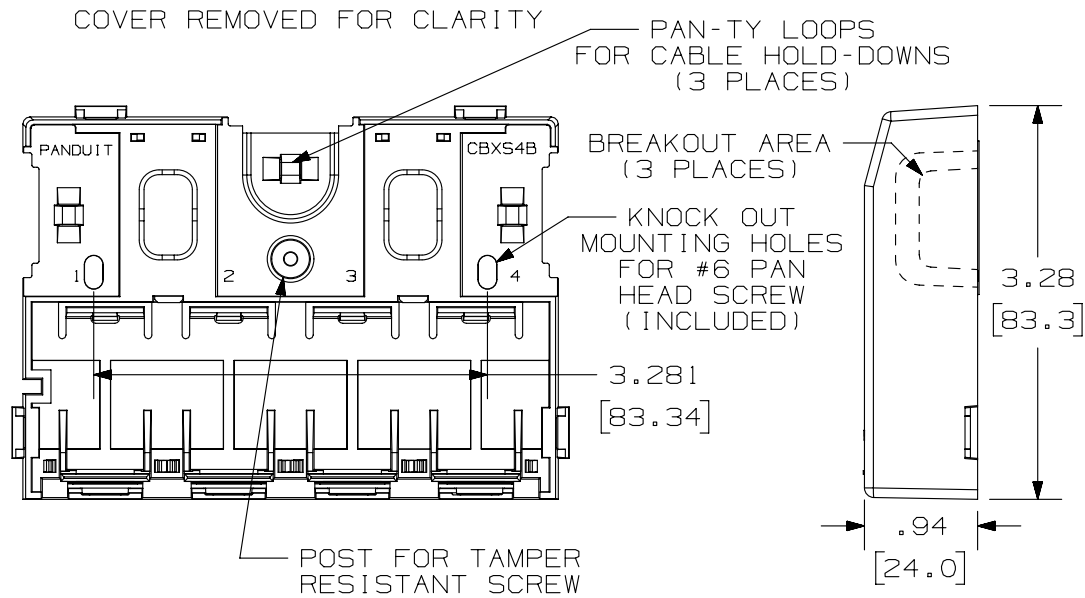
Tel: +86-755-8981 8866 Fax: +86-755-8427 6832

Email & Skype: info@chipsmall.com Web: www.chipsmall.com

Address: A1208, Overseas Decoration Building, #122 Zhenhua RD., Futian, Shenzhen, China



THIS COPY IS PROVIDED ON A RESTRICTED BASIS AND IS NOT TO BE USED IN ANY WAY DETRIMENTAL TO THE INTERESTS OF PANDUIT CORP.



PANDUIT P/N	WEIGHT
CBXS4**-AY	1.07 LB/10 PCS (485.3 g/10 PCS)

NOTES:

- SEE CURRENT CATALOG FOR ADDITIONAL PART NUMBER SUFFIXES TO INDICATE COLOR AND OR PACKAGE QUANTITY.
- SEE CATALOG FOR A COMPLETE LIST OF PARTS APPLICABLE FOR USE WITH THIS PART.
- DIMENSIONS IN [] ARE IN METRIC.
- BOX INCLUDES:
 - BOX BASE
 - BOX COVER
 - PLT1.5I-M PAN-TY
 - LABEL/ LABEL COVER
 - MOUNTING SCREW
 - MOUNTING SCREW (USED TO SECURE COVER TO BASE)
 - STRIP OF 1.00" X .75" FOAM TAPE FOR MOUNTING
 - STRIP OF 3.00" X .75" FOAM TAPE FOR MOUNTING
- BASE HAS TWO POCKETS FOR OPTIONAL MAGNET (CSBM-X)
- BREAKOUTS DESIGNED TO ACCEPT LD3/LDPH3 AND LD5/LDPH5 RACEWAY.
- BASE MATERIAL THICKNESS= .090 [2.29]

NO WARRANTY, EXPRESSED OR IMPLIED, IS MADE BY PANDUIT WITH RESPECT TO ADHESIVE BOND PERFORMANCE. AMONG OTHER THINGS, THE CONDITIONS UNDER WHICH THESE MOUNTS MAY BE APPLIED AND/OR THE SURFACE TO WHICH THEY MAY BE APPLIED ARE BEYOND PANDUIT'S CONTROL.

PART NUMBER		CBXS4**-AY	
TITLE			
MINI-COM 4 POSITION SHUTTERED SURFACE MOUNT BOX			
CUSTOMER DRAWING			
ITEM REVISION NAME		M02479EU/02	
DATASET FILE NAME		M02479EU_DC127/02A	
UNLESS OTHERWISE SPECIFIED, DIMENSIONAL TOLERANCES ARE: IN [mm]		MATERIAL:	
.x ± .xx ± .03 [.8]		BOX: ABS DOORS: PC	
ANGLES ±		DRAWING NUMBER:	
THIRD ANGLE PROJECTION		02479-127	
DRAWN BY	DATE	CHK	SCALE
JSP	12-27-06	MJD	NONE
SHT 1 OF 1			SIZE
			A

REV	DATE	BY	CHK	APR	DESCRIPTION	ECN
1	3/19/14	JSP	REFR	MMR	A. REVISED DRAWING TITLE BLOCK.	02479-127
R	12-27-06	JSP	MJD	MJD	RELEASED TO PRODUCTION	02479-127

D101000DA/14