



Chipsmall Limited consists of a professional team with an average of over 10 year of expertise in the distribution of electronic components. Based in Hongkong, we have already established firm and mutual-benefit business relationships with customers from,Europe,America and south Asia,supplying obsolete and hard-to-find components to meet their specific needs.

With the principle of “Quality Parts,Customers Priority,Honest Operation,and Considerate Service”,our business mainly focus on the distribution of electronic components. Line cards we deal with include Microchip,ALPS,ROHM,Xilinx,Pulse,ON,Everlight and Freescale. Main products comprise IC,Modules,Potentiometer,IC Socket,Relay,Connector.Our parts cover such applications as commercial,industrial, and automotives areas.

We are looking forward to setting up business relationship with you and hope to provide you with the best service and solution. Let us make a better world for our industry!



## Contact us

Tel: +86-755-8981 8866 Fax: +86-755-8427 6832

Email & Skype: info@chipsmall.com Web: www.chipsmall.com

Address: A1208, Overseas Decoration Building, #122 Zhenhua RD., Futian, Shenzhen, China





**STURDY DESIGN REPLACES  
OLD COPPER  
"ONE SIZE ONLY" CLIPS**



### Features and Benefits:

- ◇ Unit can hold three different sizes of capillary tubing 1/8", 1/4" and 3/8"
- ◇ Slots for tie anchors
- ◇ Inside tapered ridges allow tubing to be snapped in place
- ◇ Mounting in either horizontal or vertical planes
- ◇ Corner slot accepts 1/4" sensors
- ◇ Clips can be separated into two parts
  - Use one as a capillary mounting clip
  - The other part can be used as a sensor mounting bracket
- ◇ Plenum rated, class 94V-2 nylon
- ◇ Available in NATURAL, GREY & BLACK



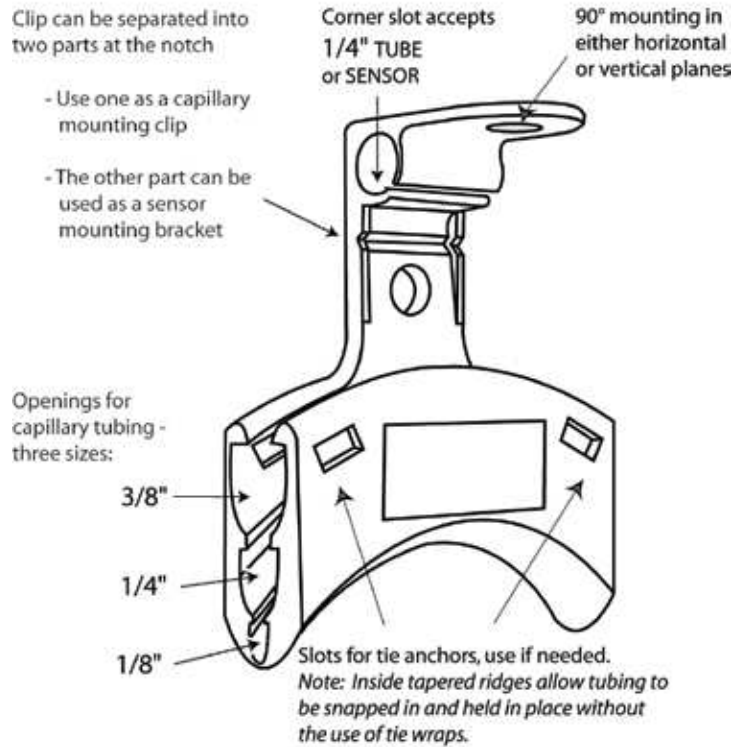
### Ordering Information:

<b>PART NUMBER</b>	
CC1-N.....	NATURAL
CC1-G.....	GREY
CC1-BK.....	BLACK
Custom colors and logos available (10,000 piece minimum)	





**Design Enhancements:**



**Dimensions:**

