



Chipsmall Limited consists of a professional team with an average of over 10 year of expertise in the distribution of electronic components. Based in Hongkong, we have already established firm and mutual-benefit business relationships with customers from,Europe,America and south Asia,supplying obsolete and hard-to-find components to meet their specific needs.

With the principle of “Quality Parts,Customers Priority,Honest Operation,and Considerate Service”,our business mainly focus on the distribution of electronic components. Line cards we deal with include Microchip,ALPS,ROHM,Xilinx,Pulse,ON,Everlight and Freescale. Main products comprise IC,Modules,Potentiometer,IC Socket,Relay,Connector.Our parts cover such applications as commercial,industrial, and automotives areas.

We are looking forward to setting up business relationship with you and hope to provide you with the best service and solution. Let us make a better world for our industry!



Contact us

Tel: +86-755-8981 8866 Fax: +86-755-8427 6832

Email & Skype: info@chipsmall.com Web: www.chipsmall.com

Address: A1208, Overseas Decoration Building, #122 Zhenhua RD., Futian, Shenzhen, China



DATA SHEET

SURFACE-MOUNT CERAMIC MULTILAYER CAPACITORS

Mid-voltage: NP0/X7R
(Pb Free & RoHS compliant)

100 V TO 500 V

10 pF to 470 nF



SCOPE

This specification describes Mid-voltage NP0/X7R series chip capacitors with lead-free terminations.

APPLICATIONS

- PCs, hard disk, game PCs
- Power supplies
- LCD panel
- ADSL, modem

FEATURES

- Supplied in tape on reel
- Nickel-barrier end termination

ORDERING INFORMATION

Part number is identified by the series, size, tolerance, packing style, TC material, rated voltage and capacitance value.

YAGEO ORDERING CODE

CC XXXX X X XXX X **B X XXX**
 (1) (2) (3) (4) (5) (6) (7)

(1) SIZE – INCH BASED (METRIC)

0603 (1608)
 0805 (2012)
 1206 (3216)
 1210 (3225)
 1808 (4520)
 1812 (4532)

(2) TOLERANCE

J = ±5%
 K = ±10%

(3) PACKING STYLE

R = 7" paper tape
 K = 7" blister tape
 P = 13" paper tape
 F = 13" blister tape
 C = Bulk case

(4) TC MATERIAL

NP0
 X7R

(5) RATED VOLTAGE

0 = 100 V
 A = 200 V
 Y = 250 V
 B = 500 V

(6) PROCESS

B = BME
 N = NME

(7) CAPACITANCE VALUE:

First two for significant figures and 3rd for number of zero
 Letter "R" for decimal point

CONSTRUCTION

The capacitor consists of a rectangular block of ceramic dielectric in which a number of interleaved metal electrodes are contained. This structure gives rise to a high capacitance per unit volume.

The inner electrodes are connected to the two end terminations and finally covered with a layer of plated tin (NiSn). The terminations are lead-free. A cross section of the structure is shown in Fig. 1.

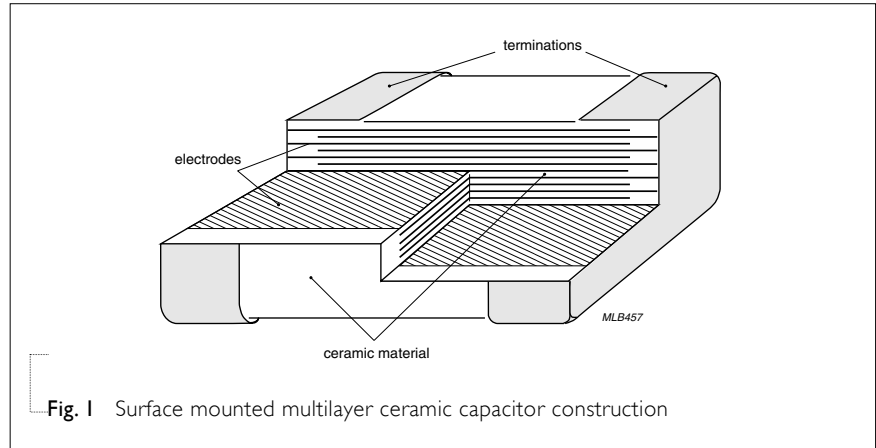


Fig. 1 Surface mounted multilayer ceramic capacitor construction

DIMENSION

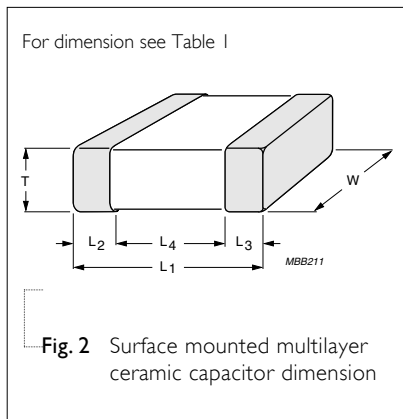


Table 1

TYPE	CC0603	CC0805	CC1206	CC1210	CC1808	CC1812
L₁ (mm)	1.6 ±0.10	2.0 ±0.20	3.2±0.20	3.2 ±0.20	4.5 ±0.30	4.5 ±0.30
W (mm)	0.8 ±0.07	1.25 ±0.20	1.6±0.20	2.5 ±0.20	2.0 ±0.30	3.2 ±0.30
T (mm)	Refer to table 2 to 7					
L₂/L₃ (mm)	min.	0.20	0.25	0.25	0.25	0.25
	max.	0.50	0.75	0.75	0.75	0.75
L₄ (mm)	min.	0.60	0.55	1.40	1.40	2.20

CAPACITANCE RANGE & THICKNESS FOR NPO 100V

Table 2 For NPO 100 V sizes from 0603 to 1812

CAPACITANCE (pF)	100 V 0603	0805	1206	1210	1808	1812
10						
12						
15						
18						
22						
27						
33						
39						
47						
56						
68						
82						
100	0.8 ±0.10	0.6 ±0.10				
120						
150			0.6 ±0.10			
180						
220						
270						
330						
390						
470						
560						
680						
820						
1,000						
1,200						
1,500		0.85 ±0.10				
1,800						
2,200				0.6 ±0.10	1.25 ±0.20	1.25 ±0.20
2,700						
3,300		1.25 ±0.20				
3,900			0.85 ±0.10			
4,700						
5,600			1.15±0.15	0.85 ±0.10		

Table 2 For NP0 100 V sizes from 0603 to 1812 (continued)

CAPACITANCE (pF)	100 V					
	0603	0805	1206	1210	1808	1812
6,800			1.15±0.15			
8,200				0.85 ±0.10		1.25 ±0.20
10,000			1.25 ±0.20			
12,000						
15,000				1.25 ±0.20		0.85 ±0.10
18,000						
22,000						1.15±0.15
27,000						
33,000						
39,000						
47,000						

NOTE

1. Values in shaded cells indicate thickness class in mm.
2. Capacitance range < 10 pF is on request.

CAPACITANCE RANGE & THICKNESS FOR NP0 200/250 V

Table 3 For NP0 200/250 V sizes from 0603 to 1812

CAPACITANCE (pF)	200/250 V					
	0603	0805	1206	1210	1808	1812
10						
12						
15						
18						
22						
27						
33						
39						
47	0.8 ±0.10	0.6 ±0.10	0.6 ±0.10			
56						
68						
82						
100						
120						
150						
180						

Table 3 For NP0 200/250 V sizes from 0603 to 1812 (continued)

CAPACITANCE (pF)	200/250 V					
	0603	0805	1206	1210	1808	1812
220						
270						
330	0.8 ±0.10	0.85 ±0.10				
390			0.6 ±0.10			
470						
560		1.25 ±0.20				
680						
820		0.8 ±0.10				
1,000			0.85 ±0.10			
1,200				1.25 ±0.20		
1,500		1.25 ±0.20	1.15±0.15			
1,800			0.8 ±0.10			1.25 ±0.20
2,200				0.85 ±0.10		
2,700					1.25 ±0.20	
3,300			1.25 ±0.20	1.15±0.15		
3,900						0.85 ±0.10
4,700				1.25 ±0.20		1.15±0.15
5,600						
6,800						
8,200						
10,000						

NOTE

1. Values in shaded cells indicate thickness class in mm.
2. Capacitance range < 10 pF is on request.

CAPACITANCE RANGE & THICKNESS FOR NP0 500 V

Table 4 For NP0 500 V sizes from 0805 to 1812

CAPACITANCE (pF)	500 V				
	0805	1206	1210	1808	1812
10					
12					
15	0.6 ±0.10	0.6 ±0.10			
18					
22					
27					

Table 4 For NP0 500 V sizes from 0805 to 1812 (continued)

CAPACITANCE (pF)	500 V				
	0805	1206	1210	1808	1812
33					
39					
47					
56					
68	0.6 ±0.10	0.6 ±0.10			
82					
100					
120					
150					
180			0.85 ±0.10		
220					
270					
330	0.85 ±0.10				
390					
470		0.85 ±0.10			
560					
680					
820	1.25 ±0.20	1.15±0.15			
1,000					
1,200		0.8 ±0.10			
1,500			1.15±0.15		1.25 ±0.20
1,800		1.25 ±0.20		1.25 ±0.20	
2,200			1.25 ±0.20		
2,700					1.15±0.15
3,300					
3,900					
4,700					1.25 ±0.20
5,600					
6,800					
8,200					
10,000					

NOTE

1. Values in shaded cells indicate thickness class in mm.
2. Capacitance range < 10 pF is on request.

CAPACITANCE RANGE & THICKNESS FOR X7R 100V

Table 5 For X7R 100 V sizes from 0805 to 1812

CAPACITANCE (pF)	100 V 0603	0805	1206	1210	1808	1812
100						
150						
220						
330						
470						
680						
1,000	0.8 ±0.10					
1,500						
2,200		0.6 ±0.10	0.85 ±0.10			
3,300						
4,700						
6,800						
10,000						
15,000						
22,000		0.85 ±0.10				
33,000						
47,000		1.25 ±0.20				0.85 ±0.10
68,000				0.85 ±0.10	1.25 ±0.20	
100,000			1.15±0.15			
150,000				1.15±0.15		1.15±0.15
220,000				1.6 ±0.20		
330,000						
470,000						1.6 ±0.20
680,000						
1,000,000						

NOTE

1. Values in shaded cells indicate thickness class in mm.

CAPACITANCE RANGE & THICKNESS FOR X7R 200/250 V

Table 6 For X7R 200/250 V sizes from 0805 to 1812

CAPACITANCE (pF)	200/250 V					
	0805	1206	1210	1808	1812	
100						
150						
220						
330						
470						
680						
1,000	0.85 ±0.10					
1,500						
2,200						
3,300		0.85 ±0.10				
4,700						
6,800						
10,000	1.25 ±0.20					
15,000	0.8 ±0.10		0.85 ±0.10			
22,000	1.25 ±0.20					
33,000		1.15±0.15	1.15±0.15	1.25 ±0.20		
47,000						
68,000		1.25 ±0.20				
100,000			1.25 ±0.20			1.15±0.15
150,000						
220,000						1.6 ±0.20
330,000						2.0 ±0.20
470,000						
680,000						
1,000,000						

NOTE

I. Values in shaded cells indicate thickness class in mm.

CAPACITANCE RANGE & THICKNESS FOR X7R 500 V

Table 7 For X7R 500 V sizes from 0805 to 1812

CAPACITANCE (pF)	500 V					
	0805	1206	1210	1808	1812	
100						
150						
220						
330						
470						
680						
1,000	0.8 ±0.10					
1,500						
2,200		1.15±0.15				
3,300						
4,700			1.15±0.15			0.85 ±0.10
6,800						
10,000	1.25 ±0.20	1.25 ±0.20				1.15±0.15
15,000				1.25 ±0.20		
22,000			1.25 ±0.20			
33,000		1.6 ±0.20				
47,000						1.25 ±0.20
68,000						
100,000						1.6 ±0.20
150,000						
220,000						
330,000						
470,000						
680,000						
1,000,000						

NOTE

1. Values in shaded cells indicate thickness class in mm.

THICKNESS CLASSES AND PACKING QUANTITY

Table 8

DESCRIPTION	SIZE CODE	THICKNESS CLASSIFICATION (mm)	8 mm TAPE WIDTH/AMOUNT PER REEL				12 mm TAPE WIDTH /AMOUNT PER REEL
			Ø180 mm, 7"		Ø330 mm, 13"		Ø180 mm, 7" Blister
			Paper	Blister	Paper	Blister	
Mid / High voltage	0603	0.8 ±0.10	4,000	---	---	---	---
		0805	0.6 ±0.10	4,000	---	---	---
	0805	0.8 ±0.10	4,000	---	---	---	---
		0.85 ±0.1	4,000	---	---	---	---
		1.25 ±0.20	---	3,000	---	---	---
		1206	0.6 ±0.10	4,000	---	20,000	---
	1206	0.8 ±0.10	4,000	---	---	---	---
		0.85 ±0.10	4,000	---	15,000	---	---
		1.00 ±0.10	---	3,000	---	10,000	---
		1.15 ±0.15	---	3,000	---	10,000	---
		1.25 ±0.20	---	3,000	---	---	---
		1210	0.6 ±0.10	---	4,000	---	15,000
	1210	0.85 ±0.10	---	4,000	---	10,000	---
		1.15 ±0.15	---	3,000	---	10,000	---
		1.25 ±0.20	---	3,000	---	---	---
		1.6 ±0.20	---	2,000	---	---	---
	1808	1.15 ±0.15	---	---	---	---	1,500
		1.25 ±0.20	---	---	---	---	3,000
		1.35 ±0.15	---	---	---	---	1,000
		1.5 ±0.10	---	---	---	---	1,000
		1.6 ±0.20	---	---	---	---	2,000
		2.0 ±0.20	---	---	---	---	2,000
	1812	0.85 ±0.10	---	---	---	---	2,000
		1.15 ±0.15	---	---	---	---	1,500
		1.25 ±0.20	---	---	---	---	1,000
		1.35 ±0.15	---	---	---	---	1,000
		1.5 ±0.1	---	---	---	---	1,000
		1.6 ±0.2	---	---	---	---	1,000
		2.0 ±0.20	---	---	---	---	2,000

ELECTRICAL CHARACTERISTICS

NP0/X7R DIELECTRIC CAPACITORS; NISN TERMINATIONS

Unless otherwise stated all electrical values apply at an ambient temperature of 20±1 °C, an atmospheric pressure of 86 to 106 kPa, and a relative humidity of 63 to 67%.

Table 9

DESCRIPTION	VALUE
Capacitance range ⁽¹⁾	10 pF to 470 nF
Capacitance tolerance ⁽¹⁾ :	
NP0	±5%
X7R	±10%
Dissipation factor (D.F.) ⁽¹⁾ :	
NP0	≤ 0.1%
X7R	≤ 2.5%
Insulation resistance after 1 minute at U _r (DC)	R _{ins} ≥ 10 GΩ or R _{ins} × C ≥ 500 seconds whichever is less
Maximum capacitance change as a function of temperature (temperature characteristic/coefficient):	
NP0	±30 ppm/°C
X7R	±15%
Operating temperature range:	
NP0/X7R	-55 °C to +125 °C

NOTE

- 1. NP0: frequency = 1 MHz for C ≤ 1 nF, measuring at voltage 1 V_{rms}; frequency = 1 KHz for C > 1 nF, measuring at voltage 1 V_{rms}
 X7R: frequency = 1 KHz for C ≤ 10 μF, measuring at voltage 1 V_{rms}.

TESTS AND REQUIREMENTS

Table 10 Test condition, procedure and requirements

TEST	TEST METHOD	PROCEDURE	REQUIREMENTS
Mounting	IEC 60384-21/22	4.3 The capacitors may be mounted on printed-circuit boards or ceramic substrates	No visible damage
Visual inspection and dimension check		4.4 Any applicable method using × 10 magnification	In accordance with specification
Capacitance		4.5.1 NP0: f = 1 MHz for C ≤ 1 nF, measuring at voltage 1 V _{rms} at 20 °C; f = 1 KHz for C > 1 nF, measuring at voltage 1 V _{rms} at 20 °C X7R: f = 1 KHz for C ≤ 10 μF, measuring at voltage 1 V _{rms} at 20 °C	Within specified tolerance
Dissipation factor (D.F.)		4.5.2 NP0: f = 1 MHz for C ≤ 1 nF, measuring at voltage 1 V _{rms} at 20 °C; f = 1 KHz for C > 1 nF, measuring at voltage 1 V _{rms} at 20 °C X7R: f = 1 KHz for C ≤ 10 μF, measuring at voltage 1 V _{rms} at 20 °C	In accordance with specification
Insulation resistance		4.5.3 At U _r (DC) for 1 minute	In accordance with specification
Voltage proof		4.5.4.2 Test voltage (DC) applied for 1 minute U _r ≤ 100 V: 2.5 × U _r applied to NP0/X7R series 100 V < U _r ≤ 200 V: 1.5 × U _r + 100 V applied to NP0/X7R series 200 V < U _r ≤ 500 V: 1.3 × U _r + 100 V applied to NP0/X7R series U _r > 500 V: 1.3 × U _r applied to NP0/X7R series I: 7.5 mA	No breakdown or flashover
Temperature characteristic		4.6 Between minimum and maximum temperature	NP0: ΔC/C: 30 ppm/°C X7R: ΔC/C: 15%
Adhesion		4.15 A force applied for 10 seconds to the line joining the terminations and in a plane parallel to the substrate for size ≥ 0603: a force of 5 N applied for size 0402: a force of 2.5 N applied	No visible damage

Table 10 Test condition, procedure and requirements (continued)

TEST	TEST METHOD	PROCEDURE	REQUIREMENTS
Bond strength of plating on end face	IEC 60384-21/22 4.8	Mounting in accordance with IEC 60384-22 paragraph 4.3 Conditions: bending 1 mm at a rate of 1 mm/s, radius jig 340 mm	No visible damage NP0: $\Delta C/C_i \leq 1\%$ or 0.5 pF whichever is greater X7R: $\Delta C/C_i \leq 10\%$
Resistance to soldering heat	4.9	Precondition: 150 +0/-10 °C for 1 hour, then keep for 24 ± 1 hours at room temperature Preheating: for size ≤ 1206: 120 to 150 °C for 1 minute Preheating: for size > 1206: 100 to 120 °C for 1 minute and 170 to 200 °C for 1 minute Solder bath temperature: 260 ± 5 °C Dipping time: 10 ± 0.5 seconds Recovery time: 24 ± 2 hours.	The termination shall be well tinned NP0: $\Delta C/C_i \leq 0.5\%$ or 0.5 pF whichever is greater X7R: $\Delta C/C_i \leq 10\%$ D.F.: within initial specified value R _{ins} : within initial specified value
Solderability	4.10	Unmounted chips completely immersed in a solder bath at 235 ± 5 °C Dipping time: 2 ± 0.5 seconds Depth of immersion: 10 mm	The termination shall be well tinned.
Rapid change of temperature	4.11	Preconditioning; 150 +0/-10 °C for 1 hour, then keep for 24 ± 1 hours at room temperature <hr/> 5 cycles with following detail: 30 minutes at lower category temperature; 30 minutes at upper category temperature <hr/> Recovery time 24 ± 2 hours.	No visual damage NP0: $\Delta C/C_i \leq 1\%$ or 1 pF whichever is greater X7R: $\Delta C/C_i \leq 15\%$ D.F.: within initial specified value R _{ins} : within initial specified value
Damp heat, with U _r load	4.13	Initial measurements; after 150 +0/-10 °C for 1 hour, then keep for 24 ± 1 hours at room temperature Duration and conditions: 500 ± 12 hours at 40 ± 2 °C; 90 to 95% RH; U _r applied Final measurement: perform a heat treatment at 150 +0/-10 °C for 1 hour, final measurements shall be carried out 24 ± 1 hours after recovery at room temperature without load.	NP0: $\Delta C/C_i \leq 2\%$ or 1 pF whichever is greater X7R: $\Delta C/C_i \leq 15\%$ NP0: D.F.: 2 × initial value max. X7R ≥ 100 V: D.F. ≤ 5% NP0: R _{ins} ≥ 2,500 MΩ or R _{ins} × C _r ≥ 25 seconds, whichever is less X7R: R _{ins} ≥ 500 MΩ or R _{ins} × C _r ≥ 25 seconds, whichever is less

Table 10 Test condition, procedure and requirements (continued)

TEST	TEST METHOD	PROCEDURE	REQUIREMENTS
Endurance	IEC 60384-21/22 4.14	<p>Preconditioning; Initial measurements; after 150 +0/-10 °C for 1 hour, then keep for 24 ± 1 hours at room temperature</p> <p>Duration and conditions: 1,000 ± 12 hours at upper category temperature with 1.5 × U_r voltage applied</p> <p>Final measurement: perform a heat treatment at 150 +0/-10 °C for 1 hour; final measurements shall be carried out 24 ± 1 hours after recovery at room temperature without load.</p>	<p>NP0: $\Delta C/C_i \leq 2\%$ or 1 pF whichever is greater</p> <p>X7R: $\Delta C/C_i \leq 15\%$</p> <p>NP0: D.F.: 2 × initial value max.</p> <p>X7R: 100 V: D.F. ≤ 5%</p> <p>NP0: $R_{ins} \geq 4,000 M\Omega$ or $R_{ins} \times C_r \geq 40$ seconds, whichever is less</p> <p>X7R: $R_{ins} \geq 1,000 M\Omega$ or $R_{ins} \times C_r \geq 50$ seconds, whichever is less</p>

REVISION HISTORY

REVISION	DATE	CHANGE NOTIFICATION	DESCRIPTION
----------	------	---------------------	-------------

Version 0	Sep 08, 2005	-	- New
-----------	--------------	---	-------