

Chipsmall Limited consists of a professional team with an average of over 10 year of expertise in the distribution of electronic components. Based in Hongkong, we have already established firm and mutual-benefit business relationships with customers from,Europe,America and south Asia,supplying obsolete and hard-to-find components to meet their specific needs.

With the principle of “Quality Parts,Customers Priority,Honest Operation,and Considerate Service”,our business mainly focus on the distribution of electronic components. Line cards we deal with include Microchip,ALPS,ROHM,Xilinx,Pulse,ON,Everlight and Freescale. Main products comprise IC,Modules,Potentiometer,IC Socket,Relay,Connector.Our parts cover such applications as commercial,industrial, and automotives areas.

We are looking forward to setting up business relationship with you and hope to provide you with the best service and solution. Let us make a better world for our industry!

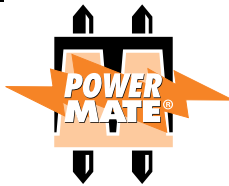


Contact us

Tel: +86-755-8981 8866 Fax: +86-755-8427 6832

Email & Skype: info@chipsmall.com Web: www.chipsmall.com

Address: A1208, Overseas Decoration Building, #122 Zhenhua RD., Futian, Shenzhen, China



IPBD-02-D-K

IPBD-05-S-K

IPBT-105-H2-T-D-K



CC69L-2024-01-T-SP

(4.19 mm) .165"

IPBD, CC69L, CC69R, IPBT SERIES

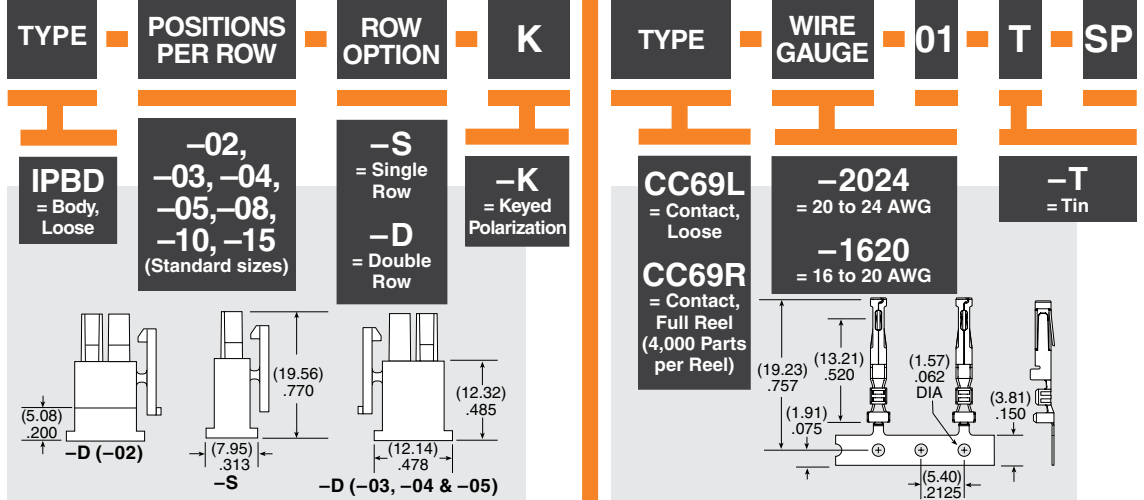
DISCRETE WIRE CABLE COMPONENTS

SPECIFICATIONS

For complete specifications
www.samtec.com?IPBD,
www.samtec.com?CC69L or
www.samtec.com?CC69R

TOOLING

- Hand tool (16-20 AWG):
CAT-HT-169-1620-13
- Hand tool (20-24 AWG):
CAT-HT-169-2024-13
- Mini Applicator
(16-20 AWG):
CAT-MA-169-1620-XX-01
- Mini Applicator
(20-24 AWG):
CAT-MA-169-2024 XX-01
- Extraction Tool:
CAT-EX-169-01



Board Mates:

IPBS, IPBD

Cable Mates:

PMSD, PMSS

SPECIFICATIONS

For complete specifications
see www.samtec.com?IPBT

Insulator Material:

Black Liquid Crystal
Polymer

Contact Material:

High Copper Alloy

Plating:

Sn over 50 μ" (1.27 μm) Ni

Operating Temp Range:

-55 °C to +105 °C

Voltage Rating:

400 VAC/565 VDC

RoHS Compliant:

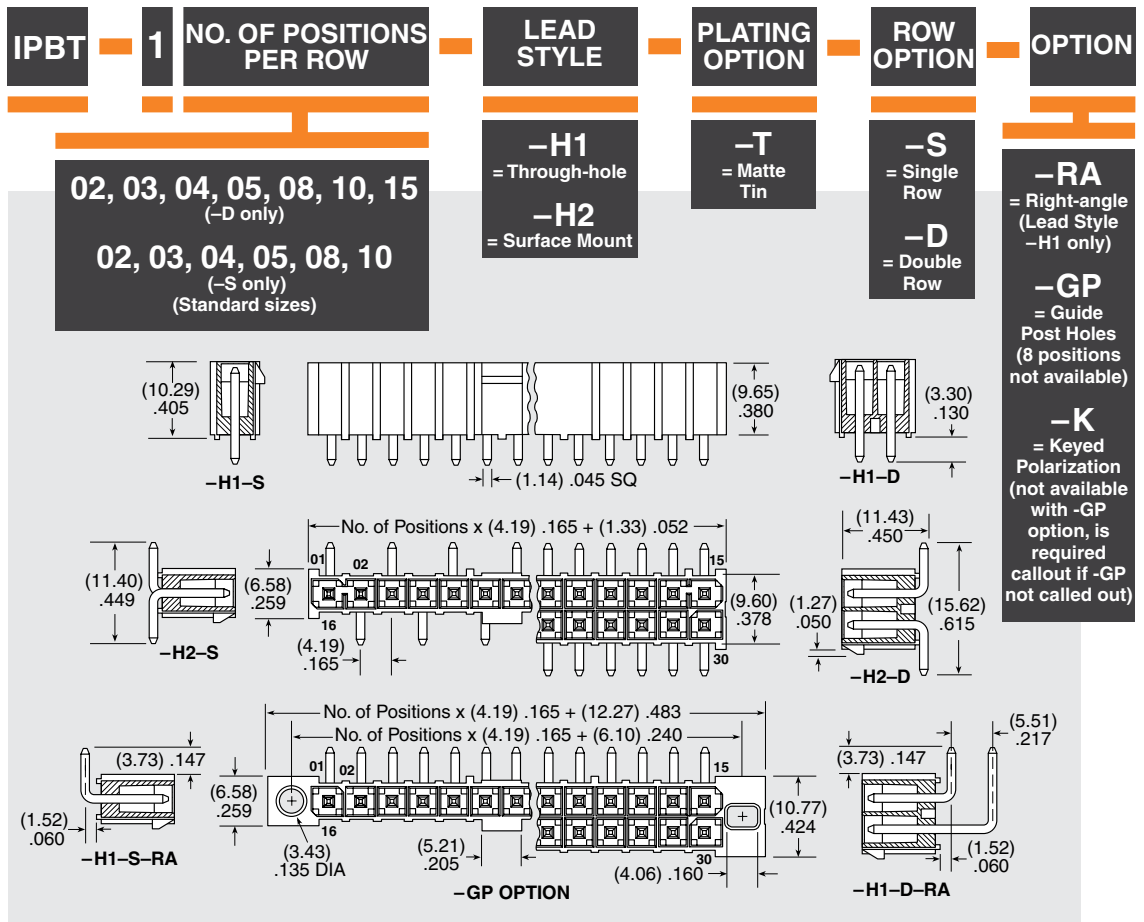
Yes

Lead-Free Solderable:

Yes

RECOGNITIONS

For complete scope of
recognitions see
www.samtec.com/quality



Note: Some lengths, styles
and options are non-standard,
non-returnable.