



Chipsmall Limited consists of a professional team with an average of over 10 year of expertise in the distribution of electronic components. Based in Hongkong, we have already established firm and mutual-benefit business relationships with customers from,Europe,America and south Asia,supplying obsolete and hard-to-find components to meet their specific needs.

With the principle of “Quality Parts,Customers Priority,Honest Operation,and Considerate Service”,our business mainly focus on the distribution of electronic components. Line cards we deal with include Microchip,ALPS,ROHM,Xilinx,Pulse,ON,Everlight and Freescale. Main products comprise IC,Modules,Potentiometer,IC Socket,Relay,Connector.Our parts cover such applications as commercial,industrial, and automotives areas.

We are looking forward to setting up business relationship with you and hope to provide you with the best service and solution. Let us make a better world for our industry!



## Contact us

Tel: +86-755-8981 8866 Fax: +86-755-8427 6832

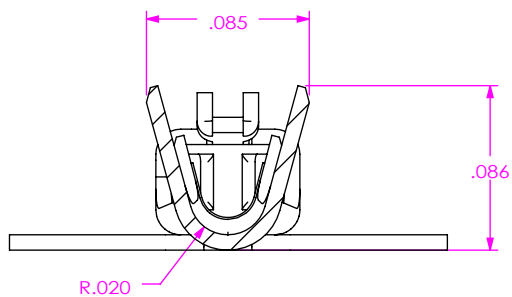
Email & Skype: info@chipsmall.com Web: www.chipsmall.com

Address: A1208, Overseas Decoration Building, #122 Zhenhua RD., Futian, Shenzhen, China



ALL DIMENSIONS ARE REFERENCE  
(SEE C-383-XXXX-X FOR CONTROLLING PRINT)

DO NOT  
SCALE FROM  
THIS PRINT



SECTION 'C'-'C'  
SCALE 10 : 1

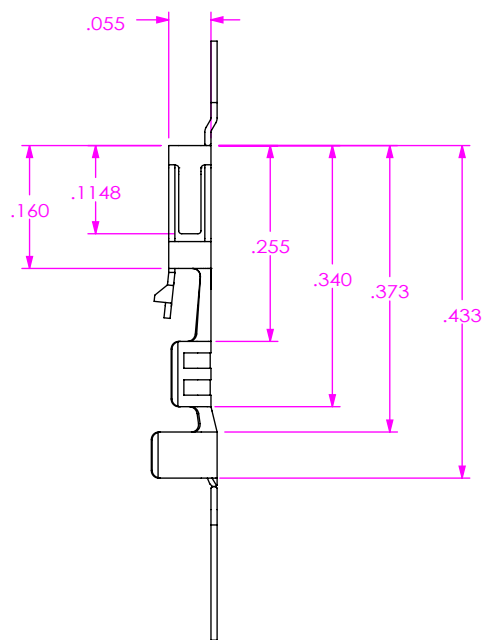
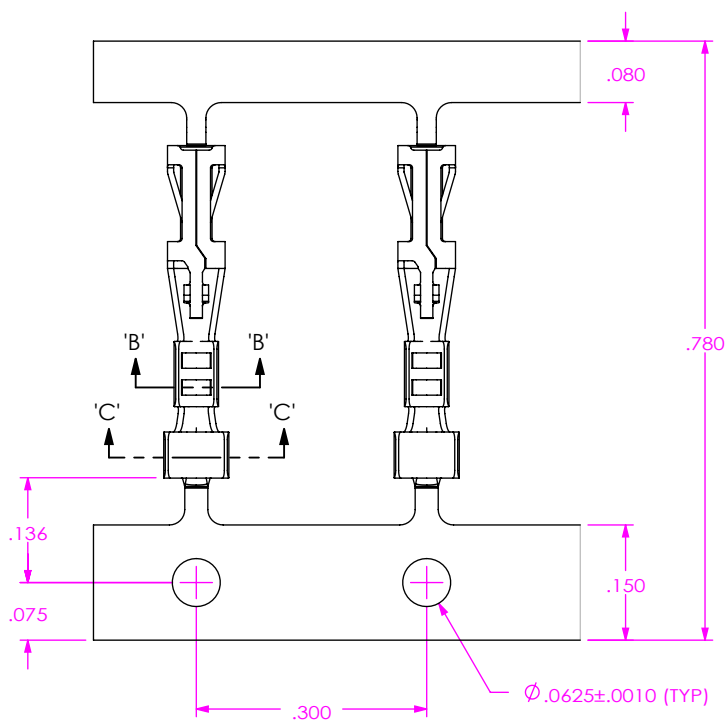
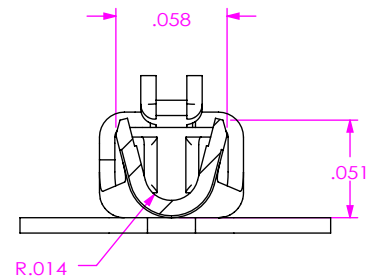


FIG 1  
(CC83X-2426-X SHOWN)



SECTION 'B'-'B'  
SCALE 10 : 1

CC83X-XXXX-X

OPTION  
L: LOOSE  
R: FULL REELS

PLATING

-F: 3µ" GOLD IN THE CONTACT AREA,  
MATTE TIN TAIL  
-L: 10µ" GOLD IN THE CONTACT AREA,  
MATTE TIN TAIL

LEAD STYLE

-2426: FOR 24, 26 AWG

NOTES:

1. REPRESENTS A CRITICAL DIMENSION.
2. PLATED C-383 PARTS TO BE PULLED, PLATING OPTION CONFIRMED, POSITIONED AS SHOWN ON SAMTEC REEL WITH VIEWPORTS, LABELED CC83R WITH APPROPRIATE PLATING CALLOUT AND LABEL PLACED AS SHOWN.
3. MAXIMUM NO OF SPLICES PER REEL: 2
3. SPLICES ARE NOT TO BE CONNECTED.
4. NUMBER OF SPLICES TO BE MARKED ON EACH REEL.
5. REELED PARTS TO BE INTERLEAVED WITH PAPER BETWEEN EACH LAYER OF PARTS.
6. ALLOWABLE INTERLEAF SPLICES PER REEL: 3
7. SECURELY CONNECT INTERLEAF SPLICE.
8. OUTER WRAP SHALL RECEIVE HMS1015C-16MM PROTECTIVE REEL BAND.
9. DUE TO PLATING REQUIREMENTS CONTACT SAMPLES MAY BE REMOVED INTERMITTINGLY FROM THE CARRIER RESULTING IN SMALL GAPS BUT DOES NOT AFFECT FINAL COUNT.
10. QTY PER REEL: 35,000 +700/-0 PCS

UNLESS OTHERWISE SPECIFIED,  
DIMENSIONS ARE IN INCHES.  
TOLERANCES ARE:

**PROPRIETARY NOTE**  
THIS DOCUMENT CONTAINS CONFIDENTIAL AND PROPRIETARY INFORMATION AND ALL DESIGN, MANUFACTURING, REPRODUCTION, USE, PATENT RIGHTS AND SALES RIGHTS ARE EXPRESSLY RESERVED BY SAMTEC, INC. THIS DOCUMENT SHALL NOT BE DISCLOSED, IN WHOLE OR PART, TO ANY UNAUTHORIZED PERSON OR ENTITY NOR REPRODUCED, TRANSFERRED OR INCORPORATED IN ANY OTHER PROJECT IN ANY MANNER WITHOUT THE EXPRESS WRITTEN CONSENT OF SAMTEC, INC.



520 PARK EAST BLVD, NEW ALBANY, IN 47150  
PHONE: 812-944-6733 FAX: 812-948-5047  
e-Mail: info@SAMTEC.com code 55322

MATERIAL: DO NOT SCALE DRAWING SHEET SCALE: 6:1

PHOSPHOR BRONZE

THICKNESS: .0080

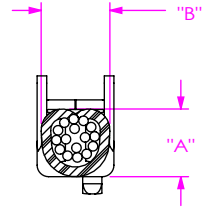
DESCRIPTION:  
.100 SMSX CONTACT

DWG. NO.  
CC83X-XXXX-X

BY: VICKY Z 09/15/2011 SHEET 1 OF 2

REVISION F

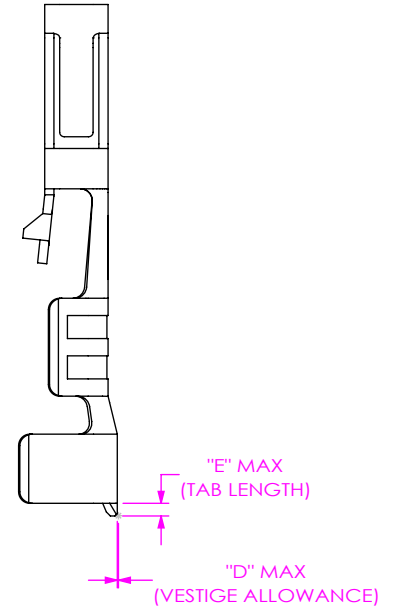
TABLE 1									
P/N	AWG	STRANDS/AWG	INSULATION OD	"A"	"B"	"C"	"D" MAX (VESTIGE LENGTH)	"E" MAX (TAB LENGTH)	PULL FORCE (LBS)
CC83X-2426-X	24	7/32	.0410-.0590	.0280	.0450	0.115	.0020	.0120	5
	26	7/34		.0270	.0450		.0020	.0120	3



WIRE CRIMP



INSULATION STRIP LENGTH



CARRIER TAB SPECIFICATION

**REEL SPECIFICATIONS**  
 (PLATED PARTS TO BE POSITIONED ON HARD BOARD REELS AS SHOWN)  
 (REELS TO HAVE VIEWPORTS)  
 (7,000 PARTS PER REEL)

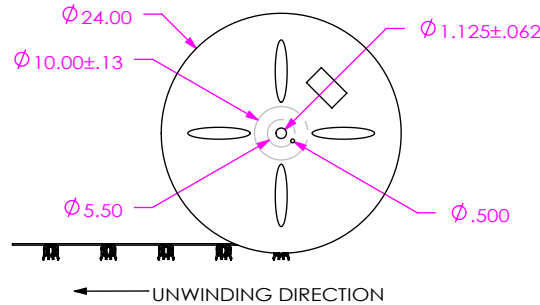
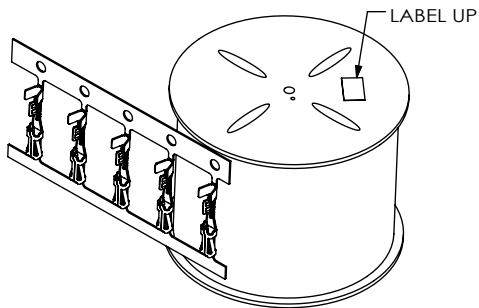


TABLE 2	
SUPPLIED	REEL PART NUMBER
-R	R-24-05.00-0.75-P

**PROPRIETARY NOTE**  
 THIS DOCUMENT CONTAINS CONFIDENTIAL AND PROPRIETARY INFORMATION AND ALL DESIGN, MANUFACTURING, REPRODUCTION, USE, PATENT RIGHTS AND SALES RIGHTS ARE EXPRESSLY RESERVED BY SAMTEC, INC. THIS DOCUMENT SHALL NOT BE DISCLOSED, IN WHOLE OR PART, TO ANY UNAUTHORIZED PERSON OR ENTITY NOR REPRODUCED, TRANSFERRED OR INCORPORATED IN ANY OTHER PROJECT IN ANY MANNER WITHOUT THE EXPRESS WRITTEN CONSENT OF SAMTEC, INC.

DO NOT SCALE DRAWING

SHEET SCALE: 3:1



520 PARK EAST BLVD, NEW ALBANY, IN 47150  
 PHONE: 812-944-6733 FAX: 812-948-5047  
 e-Mail info@SAMTEC.com code 55322

DESCRIPTION: .100 SMSX CONTACT

DWG. NO. CC83X-XXXX-X

BY: VICKY Z 09/15/2011 SHEET 2 OF 2