



Chipsmall Limited consists of a professional team with an average of over 10 year of expertise in the distribution of electronic components. Based in Hongkong, we have already established firm and mutual-benefit business relationships with customers from,Europe,America and south Asia,supplying obsolete and hard-to-find components to meet their specific needs.

With the principle of “Quality Parts,Customers Priority,Honest Operation,and Considerate Service”,our business mainly focus on the distribution of electronic components. Line cards we deal with include Microchip,ALPS,ROHM,Xilinx,Pulse,ON,Everlight and Freescale. Main products comprise IC,Modules,Potentiometer,IC Socket,Relay,Connector.Our parts cover such applications as commercial,industrial, and automotives areas.

We are looking forward to setting up business relationship with you and hope to provide you with the best service and solution. Let us make a better world for our industry!



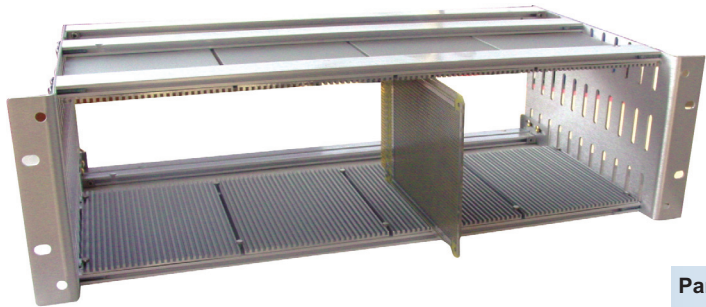
## Contact us

Tel: +86-755-8981 8866 Fax: +86-755-8427 6832

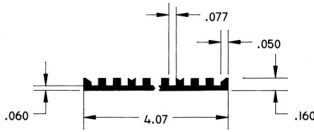
Email & Skype: info@chipsmall.com Web: www.chipsmall.com

Address: A1208, Overseas Decoration Building, #122 Zhenhua RD., Futian, Shenzhen, China





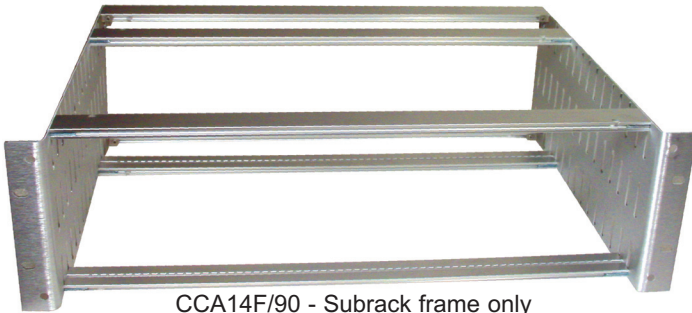
CCA13C/90 - Assembled Subrack with continuous guide plate.



### VectorPak™ Continuous Guide Plate

Card Racks with Continuous Guide Plate allows card placement on 0.150" centers. Guide plates created from extruded 6063-T6 aluminum. 0.80" thick brushed aluminum side plates with clear irridite finish. Rear "T" Struts included for mounting of connectors (Vector P/N HD34).

Part No.	Dimensions (H x W x D)	Description/ Installed
2U Rack CCA10C/90	Card height min. 0.75" to 2.75" max. X 6.5" L 2U (3.50") X 19.0" X 12.0"	Continuous guide plate, conductive
3U Rack CCA13C/90	Card height min. 2.50" to 4.50" max. X 6.5" L 3U (5.25") X 19.0" X 9.0"	Continuous guide plate, conductive
4U Rack CCA19C/90	Card height min. 4.25" to 6.25" max. X 9.6 L 4U (7.00") X 19.0" X 12.0"	Continuous guide plate, conductive
5U Rack CCA15C/90	Card height min. 6.00" to 8.00" max. X 9.6 L 5U (8.75") X 19.0" X 12.0"	Continuous guide plate, conductive

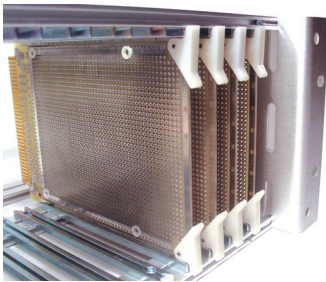


CCA14F/90 - Subrack frame only

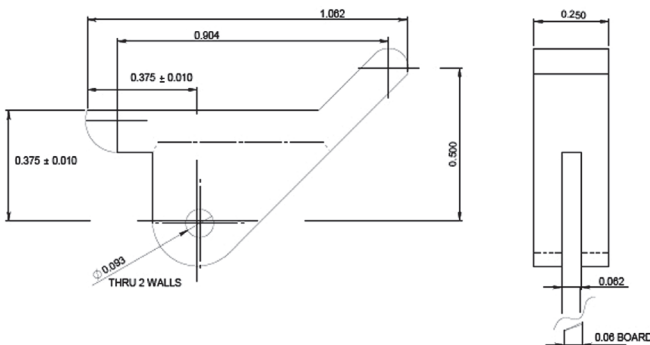
### VectorPak™ Card Frame Only

Card Rack Frame only, no card guides (guides sold separately). Will accept any VectorPak™ CG2-series card guide. More economical when only a few cards needed. Rear "T"-struts included for mounting of connectors (Vector P/N HD34).

Part No. / Version	Description/ Installed	Rack Outer Dimensions (H x W x D)	Kit
2U Rack CCA10F/90	Frame only	2U (3.50") X 19" X 12"	CCK10F/90
3U Rack CCA13F/90	Frame only	3U (5.25") X 19" X 9"	CCK13F/90
4U Rack CCA15F/90	Frame only	4U (7.00") X 19" X 12"	CCK15F/90
5U Rack CCA17F/90	Frame only	5U (8.75") X 19" X 12"	CCK17F/90



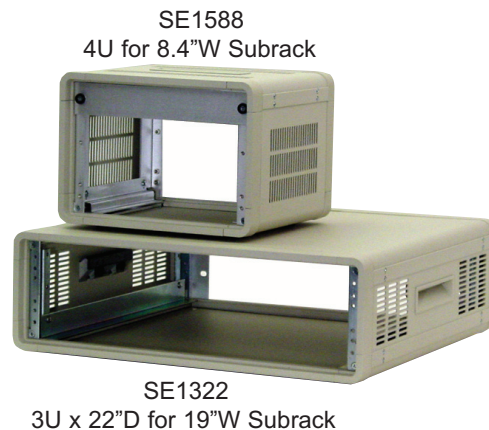
Rotation Type Ejector Handle - HA9



Part No.	Pkg Qty
HA9/4	4
HA9/C	100

- Card ejector, corner mounting
- Supports up to 40 lbs extraction force
- White nylon, (hardware included)

### Attractive & Extremely Rugged Benchtop/Desktop Outer Enclosures



SE1588  
4U for 8.4"W Subrack

SE1322  
3U x 22"D for 19"W Subrack