



Chipsmall Limited consists of a professional team with an average of over 10 year of expertise in the distribution of electronic components. Based in Hongkong, we have already established firm and mutual-benefit business relationships with customers from,Europe,America and south Asia,supplying obsolete and hard-to-find components to meet their specific needs.

With the principle of “Quality Parts,Customers Priority,Honest Operation,and Considerate Service”,our business mainly focus on the distribution of electronic components. Line cards we deal with include Microchip,ALPS,ROHM,Xilinx,Pulse,ON,Everlight and Freescale. Main products comprise IC,Modules,Potentiometer,IC Socket,Relay,Connector.Our parts cover such applications as commercial,industrial, and automotives areas.

We are looking forward to setting up business relationship with you and hope to provide you with the best service and solution. Let us make a better world for our industry!



Contact us

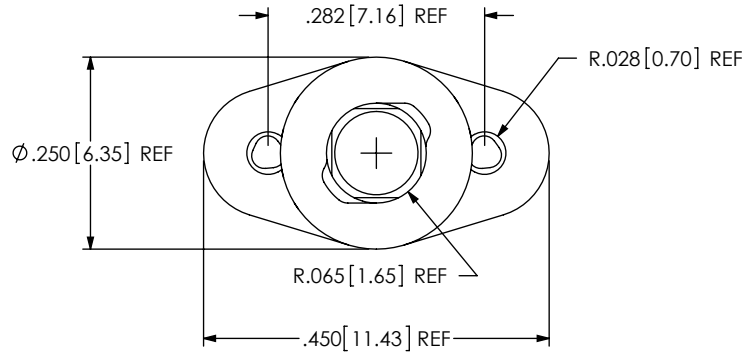
Tel: +86-755-8981 8866 Fax: +86-755-8427 6832

Email & Skype: info@chipsmall.com Web: www.chipsmall.com

Address: A1208, Overseas Decoration Building, #122 Zhenhua RD., Futian, Shenzhen, China



DO NOT SCALE FROM THIS PRINT



CCH-J-XX
OF POSITIONS
-01
-02 (SEE FIG 2, SHEET 2)
-04 (SEE FIG 3, SHEET 3)

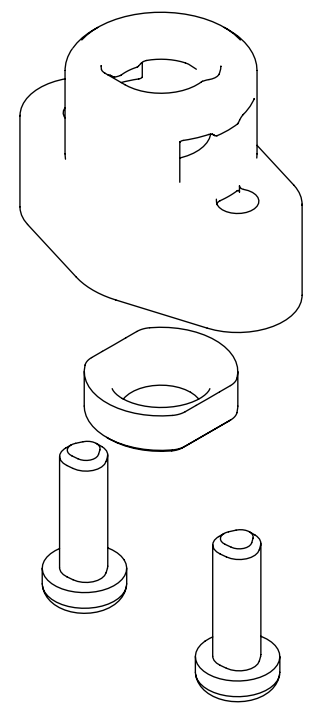
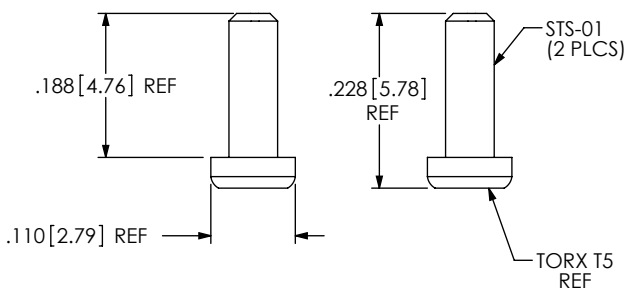
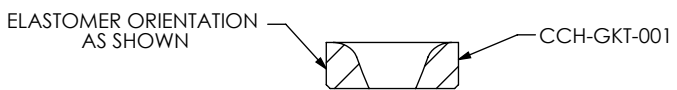
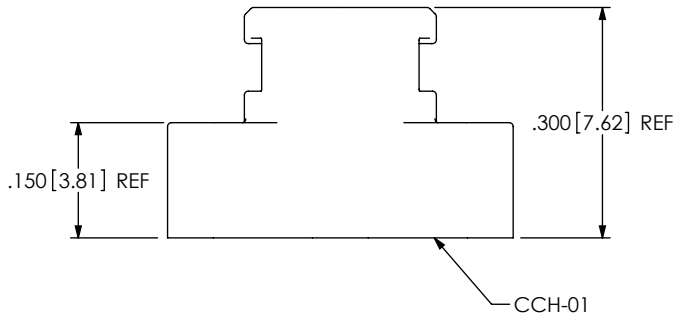


FIG 1
CCH-J-0T SHOWN

TABLE 1 - COMPONENT QUANTITIES			
COMPONENT	-01	-02	-04
CCH-XX	1	1	1
CCH-GKT-001	1	2	4
STS-01	2	2	4
BG-CCH	1	1	1
PL-BG-CCH	1	1	1

NOTES:

- ⊗ REPRESENTS A CRITICAL DIMENSION.
- PARTS TO BE PACKAGED IN BG-CCH BAG WITH PL-BG-CCH LABEL AS FOLLOWS:
CCH-J-01: 1 CCH-01, 1 CCH-GKT-001, & 2 STS-01 SCREWS
CCH-J-02: 1 CCH-02, 2 CCH-GKT-001, & 2 STS-01 SCREWS
CCH-J-04: 1 CCH-04, 4 CCH-GKT-001, & 4 STS-01 SCREWS
- NOTE DELETED.
- TIGHTEN STS-01 SCREWS TO 1.8 - 2.1 IN-LBS.
- NOTE DELETED.

UNLESS OTHERWISE SPECIFIED, DIMENSIONS ARE IN INCHES. TOLERANCES ARE:
DECIMALS ANGLES
.XX: ±.01 [.3] 2°
.XXX: ±.005 [.13]
.XXXX: ±.0020 [.051]

PROPRIETARY NOTE
THIS DOCUMENT CONTAINS INFORMATION CONFIDENTIAL AND PROPRIETARY TO SAMTEC, INC. AND SHALL NOT BE REPRODUCED OR TRANSFERRED TO OTHER DOCUMENTS OR DISCLOSED TO OTHERS OR USED FOR ANY PURPOSE OTHER THAN THAT WHICH IT WAS OBTAINED WITHOUT THE EXPRESSED WRITTEN CONSENT OF SAMTEC, INC.



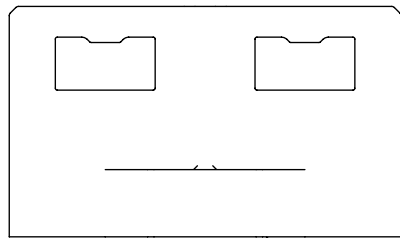
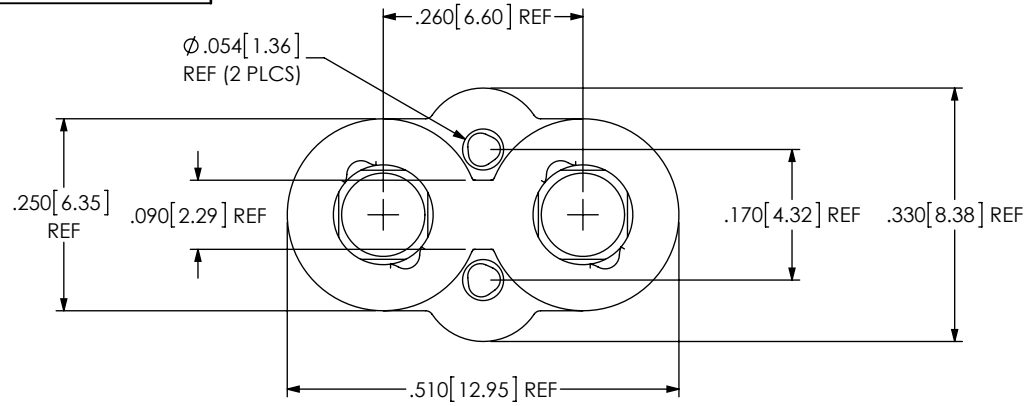
520 PARK EAST BLVD, NEW ALBANY, IN 47150
PHONE: 812-944-6733 FAX: 812-948-5047
e-Mail: info@SAMTEC.com code: 55322

MATERIAL: DO NOT SCALE DRAWING SHEET SCALE: 4:1
INSULATOR: LCP, COLOR: BLACK
GASKET: LAIRD ECE, #89
SCREW: STEEL

DESCRIPTION:
SINGLE COMPLIANT COAX ASSEMBLY

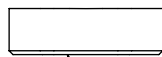
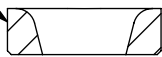
DWG. NO.
CCH-J-XX

BY: GAYNOR 6/27/2008 SHEET 1 OF 4

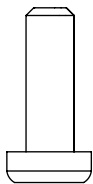


CCH-02

ELASTOMER ORIENTATION AS SHOWN

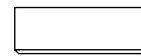
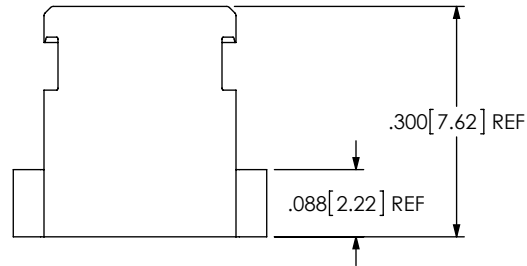


CCH-GKT-001 (2 PLCS)

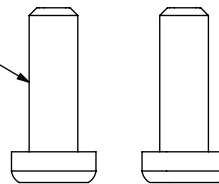


"A"

"A"



STS-01 (2 PLCS)



SECTION "A"- "A"

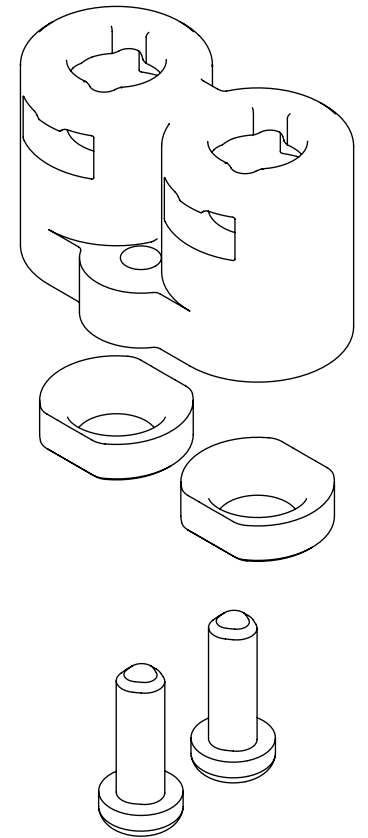


FIG 2
CCH-J-02 SHOWN
(SAME AS FIG 1 EXCEPT AS SHOWN)

PROPRIETARY NOTE
THIS DOCUMENT CONTAINS INFORMATION CONFIDENTIAL AND PROPRIETARY TO SAMTEC, INC. AND SHALL NOT BE REPRODUCED OR TRANSFERRED TO OTHER DOCUMENTS OR DISCLOSED TO OTHERS OR USED FOR ANY PURPOSE OTHER THAN THAT WHICH IT WAS OBTAINED WITHOUT THE EXPRESSED WRITTEN CONSENT OF SAMTEC, INC.

DO NOT SCALE DRAWING

SHEET SCALE: 4:1

samtec

520 PARK EAST BLVD, NEW ALBANY, IN 47150
PHONE: 812-944-6733 FAX: 812-948-5047
e-Mail: info@SAMTEC.com code: 55322

DESCRIPTION:
SINGLE COMPLIANT COAX ASSEMBLY

DWG. NO.
CCH-J-XX

BY: GAYNOR 6/27/2008 SHEET 2 OF 4

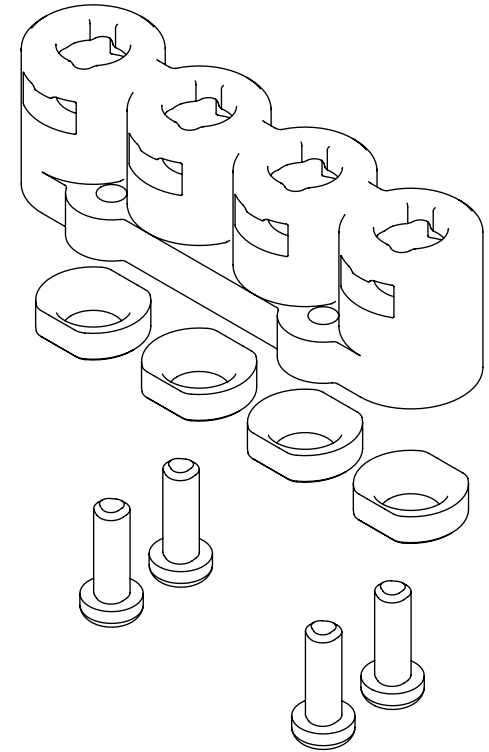
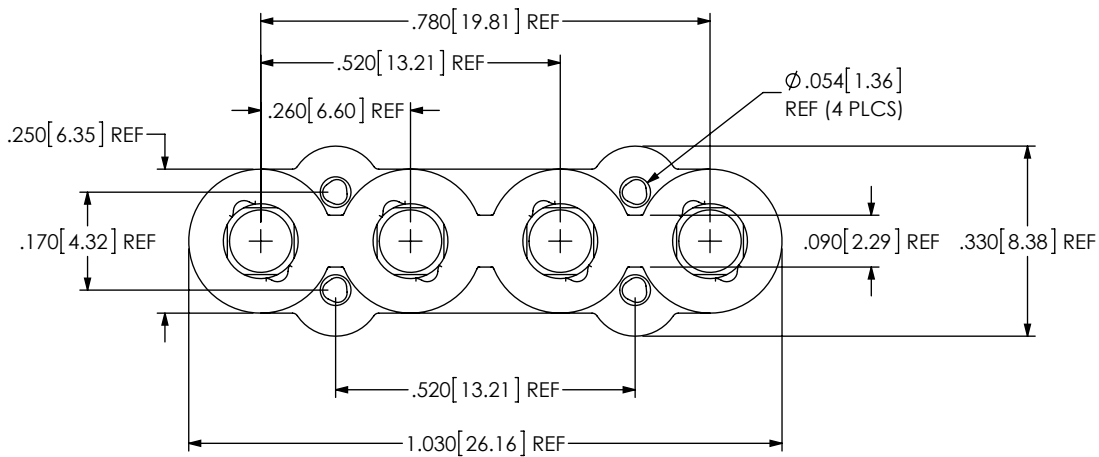
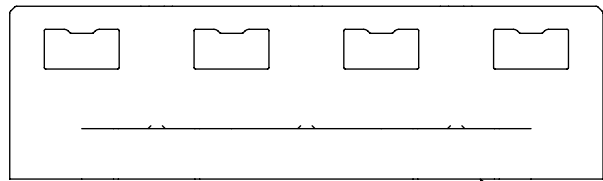


FIG 3
CCH-J-04 SHOWN
(SAME AS FIG 1 EXCEPT AS SHOWN)

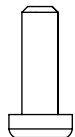


CCH-04

ELASTOMER ORIENTATION AS SHOWN



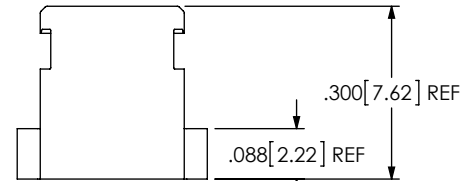
CCH-GKT-001
(4 PLCS)



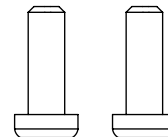
STS-01
(4 PLCS)

"B"

"B"



SECTION "B"- "B"



PROPRIETARY NOTE
THIS DOCUMENT CONTAINS INFORMATION CONFIDENTIAL AND PROPRIETARY TO SAMTEC, INC. AND SHALL NOT BE REPRODUCED OR TRANSFERRED TO OTHER DOCUMENTS OR DISCLOSED TO OTHERS OR USED FOR ANY PURPOSE OTHER THAN THAT WHICH IT WAS OBTAINED WITHOUT THE EXPRESSED WRITTEN CONSENT OF SAMTEC, INC.

DO NOT SCALE DRAWING

SHEET SCALE: 3:1

samtec

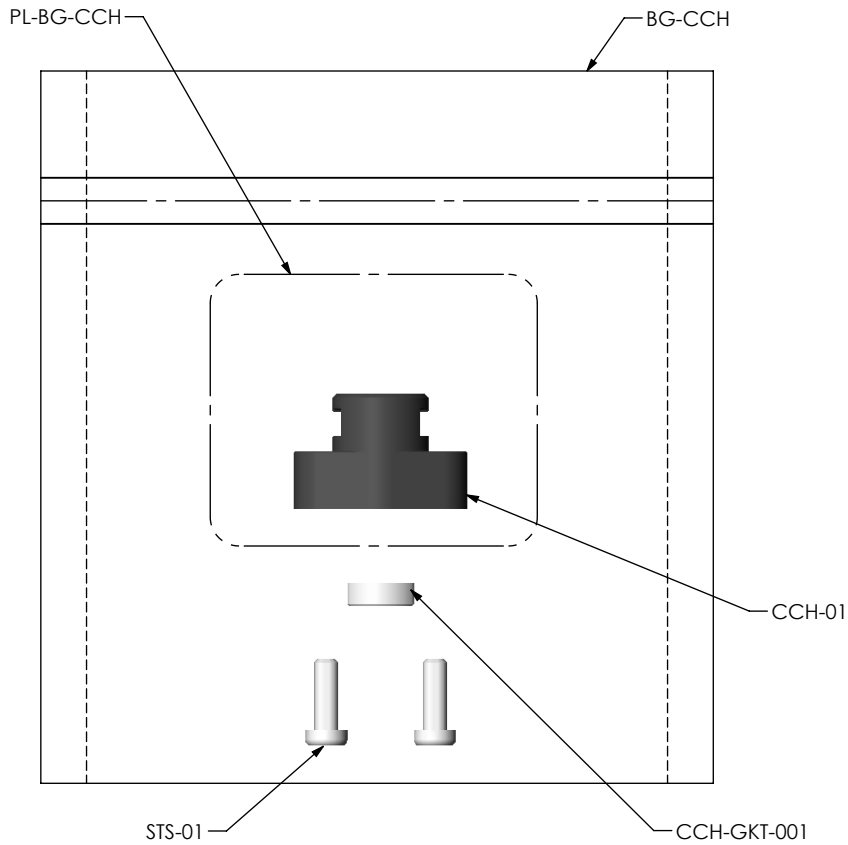
520 PARK EAST BLVD, NEW ALBANY, IN 47150
PHONE: 812-944-6733 FAX: 812-948-5047
e-Mail: info@SAMTEC.com code: 55322

DESCRIPTION:
SINGLE COMPLIANT COAX ASSEMBLY

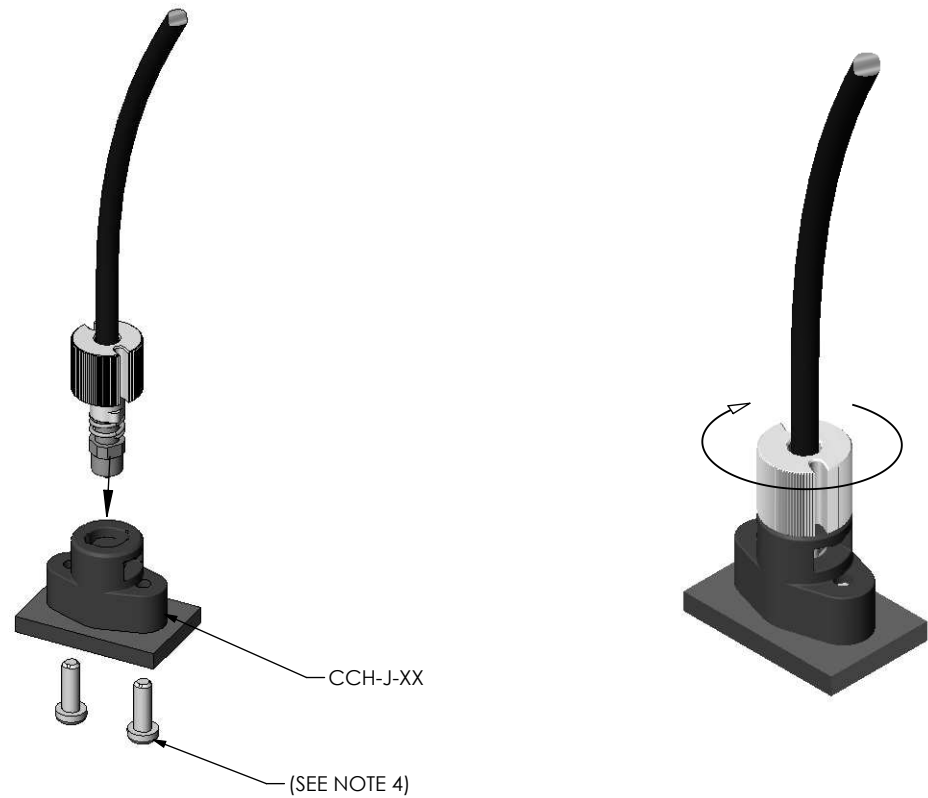
DWG. NO.
CCH-J-XX

BY: GAYNOR 6/27/2008 SHEET 3 OF 4

PACKAGING VIEW
CCH-J-01 SHOWN



APPLICATION VIEW
CCH-J-01 SHOWN



PROPRIETARY NOTE
THIS DOCUMENT CONTAINS INFORMATION CONFIDENTIAL AND PROPRIETARY TO SAMTEC, INC. AND SHALL NOT BE REPRODUCED OR TRANSFERRED TO OTHER DOCUMENTS OR DISCLOSED TO OTHERS OR USED FOR ANY PURPOSE OTHER THAN THAT WHICH IT WAS OBTAINED WITHOUT THE EXPRESSED WRITTEN CONSENT OF SAMTEC, INC.

DO NOT SCALE DRAWING

SHEET SCALE: 1:0.666667

samtec

520 PARK EAST BLVD, NEW ALBANY, IN 47150
PHONE: 812-944-6733 FAX: 812-948-5047
e-Mail: info@SAMTEC.com code: 55322

DESCRIPTION:
SINGLE COMPLIANT COAX ASSEMBLY

DWG. NO.
CCH-J-XX

BY: GAYNOR 6/27/2008 SHEET 4 OF 4