



Chipsmall Limited consists of a professional team with an average of over 10 year of expertise in the distribution of electronic components. Based in Hongkong, we have already established firm and mutual-benefit business relationships with customers from,Europe,America and south Asia,supplying obsolete and hard-to-find components to meet their specific needs.

With the principle of “Quality Parts,Customers Priority,Honest Operation,and Considerate Service”,our business mainly focus on the distribution of electronic components. Line cards we deal with include Microchip,ALPS,ROHM,Xilinx,Pulse,ON,Everlight and Freescale. Main products comprise IC,Modules,Potentiometer,IC Socket,Relay,Connector.Our parts cover such applications as commercial,industrial, and automotives areas.

We are looking forward to setting up business relationship with you and hope to provide you with the best service and solution. Let us make a better world for our industry!



Contact us

Tel: +86-755-8981 8866 Fax: +86-755-8427 6832

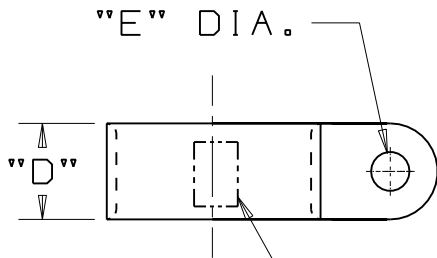
Email & Skype: info@chipsmall.com Web: www.chipsmall.com

Address: A1208, Overseas Decoration Building, #122 Zhenhua RD., Futian, Shenzhen, China



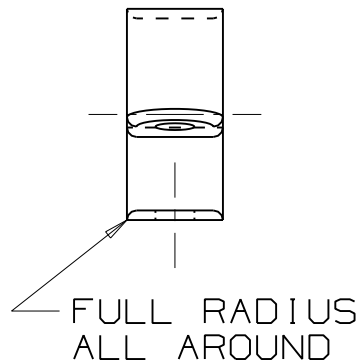
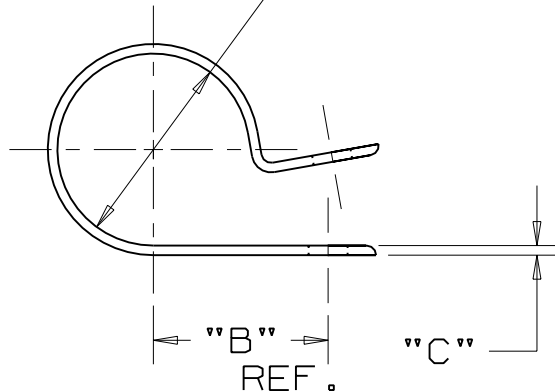
THIS COPY IS PROVIDED ON A RESTRICTED BASIS AND IS NOT TO BE USED IN ANY WAY DETRIMENTAL TO THE INTERESTS OF PANDUIT CORP.

| PANDUIT PART NUMBER | "A" in/(mm) | "B" REF. in/(mm) | "C" in/(mm) | "D" in/(mm) | "E" in/(mm) | WEIGHT lbs (g)/ 100 pcs |
|---------------------|-------------|------------------|-------------|-------------|-------------|-------------------------|
| CCH12-S10 | 0.12 (3.1) | 0.36 (9.1) | 0.050 (1.3) | 0.50 (12.7) | 0.203 (5.1) | 0.12 (52.5) |
| CCH19-S10 | 0.19 (4.8) | 0.42 (10.7) | 0.050 (1.3) | 0.50 (12.7) | 0.203 (5.1) | 0.15 (67.2) |
| CCH25-S10 | 0.25 (6.3) | 0.46 (11.7) | 0.050 (1.3) | 0.50 (12.7) | 0.203 (5.1) | 0.16 (74.0) |
| CCH31-S10 | 0.31 (7.9) | 0.50 (12.7) | 0.050 (1.3) | 0.50 (12.7) | 0.203 (5.1) | 0.18 (83.7) |
| CCH38-S10 | 0.38 (9.5) | 0.53 (13.5) | 0.050 (1.3) | 0.50 (12.7) | 0.203 (5.1) | 0.23 (105.8) |
| CCH44-S10 | 0.44 (11.1) | 0.56 (14.2) | 0.050 (1.3) | 0.50 (12.7) | 0.203 (5.1) | 0.22 (99.4) |
| CCH50-S10 | 0.50 (12.7) | 0.59 (15.0) | 0.050 (1.3) | 0.50 (12.7) | 0.203 (5.1) | 0.24 (109.1) |
| CCH56-S10 | 0.56 (14.2) | 0.61 (15.5) | 0.050 (1.3) | 0.50 (12.7) | 0.203 (5.1) | 0.25 (114.8) |
| CCH62-S10 | 0.62 (15.7) | 0.65 (16.5) | 0.050 (1.3) | 0.50 (12.7) | 0.203 (5.1) | 0.29 (131.1) |
| CCH69-S10 | 0.69 (17.5) | 0.75 (19.1) | 0.050 (1.3) | 0.50 (12.7) | 0.203 (5.1) | 0.33 (150.3) |
| CCH75-S10 | 0.75 (19.1) | 0.78 (19.8) | 0.050 (1.3) | 0.50 (12.7) | 0.203 (5.1) | 0.33 (149.3) |
| CCH81-S10 | 0.81 (20.6) | 0.81 (20.6) | 0.050 (1.3) | 0.50 (12.7) | 0.203 (5.1) | 0.34 (156.4) |
| CCH87-S10 | 0.87 (22.1) | 0.84 (21.3) | 0.050 (1.3) | 0.50 (12.7) | 0.203 (5.1) | 0.35 (160.9) |
| CCH100-S10 | 1.00 (25.4) | 0.91 (23.1) | 0.050 (1.3) | 0.50 (12.7) | 0.203 (5.1) | 0.46 (209.7) |
| CCH112-S10 | 1.12 (28.4) | 0.97 (24.6) | 0.050 (1.3) | 0.50 (12.7) | 0.203 (5.1) | 0.53 (239.2) |
| CCH119-S10 | 1.19 (30.2) | 1.00 (25.4) | 0.050 (1.3) | 0.50 (12.7) | 0.203 (5.1) | 0.57 (259.3) |
| CCH125-S10 | 1.25 (31.8) | 1.06 (26.9) | 0.050 (1.3) | 0.50 (12.7) | 0.203 (5.1) | 0.58 (260.8) |
| CCH138-S10 | 1.37 (34.8) | 1.12 (28.4) | 0.050 (1.3) | 0.50 (12.7) | 0.203 (5.1) | 0.64 (288.9) |
| CCH150-S10 | 1.50 (38.1) | 1.19 (30.2) | 0.050 (1.3) | 0.50 (12.7) | 0.203 (5.1) | 0.69 (310.9) |



FRACTIONAL PART SIZE NOTED HERE.

"A" DIA WHEN CLOSED



NOTES:

- SEE CURRENT PRICE SHEET FOR PART NUMBER SUFFIX DESIGNATION FOR PACKAGE SIZE AND PART COLOR.

(DIMENSIONS IN PARENTHESES ARE IN METRIC.)

CAD FILENAME/LAYERS G00239DW_PI_CCH_02

PANDUIT CORP. TINLEY PARK, ILLINOIS

CCH - CABLE CLAMP

UNLESS OTHERWISE SPECIFIED, DIMENSIONAL TOLERANCES ARE:
 (.X) ±0.1(2.5) (.XXX) ±0.015(1.4)
 (.XX) ±0.05(1.3) ANGLES ±5°

UNLESS OTHERWISE SPECIFIED, ALL DIMENSIONS ARE GIVEN IN INCHES, THIRD ANGLE PROJECTION.

DRAWN BY CJG

MAT'L:

SCALE NONE

DATE 6/26/96

NYLON 6/6

DRAWING NO.

GB0239DW

DWG A SIZE

| REV | DATE | BY | CHK | DESCRIPTION | ECN | R | CUST | SUP |
|-----|--------|-----|-----|---|----------|---|------|-----|
| 2 | 2/7/06 | JAD | | UPDATE LOCATION OF FRACTIONAL PART SIZE INDICATOR | GB0239DW | 2 | | |