



Chipsmall Limited consists of a professional team with an average of over 10 year of expertise in the distribution of electronic components. Based in Hongkong, we have already established firm and mutual-benefit business relationships with customers from,Europe,America and south Asia,supplying obsolete and hard-to-find components to meet their specific needs.

With the principle of “Quality Parts,Customers Priority,Honest Operation,and Considerate Service”,our business mainly focus on the distribution of electronic components. Line cards we deal with include Microchip,ALPS,ROHM,Xilinx,Pulse,ON,Everlight and Freescale. Main products comprise IC,Modules,Potentiometer,IC Socket,Relay,Connector.Our parts cover such applications as commercial,industrial, and automotives areas.

We are looking forward to setting up business relationship with you and hope to provide you with the best service and solution. Let us make a better world for our industry!



Contact us

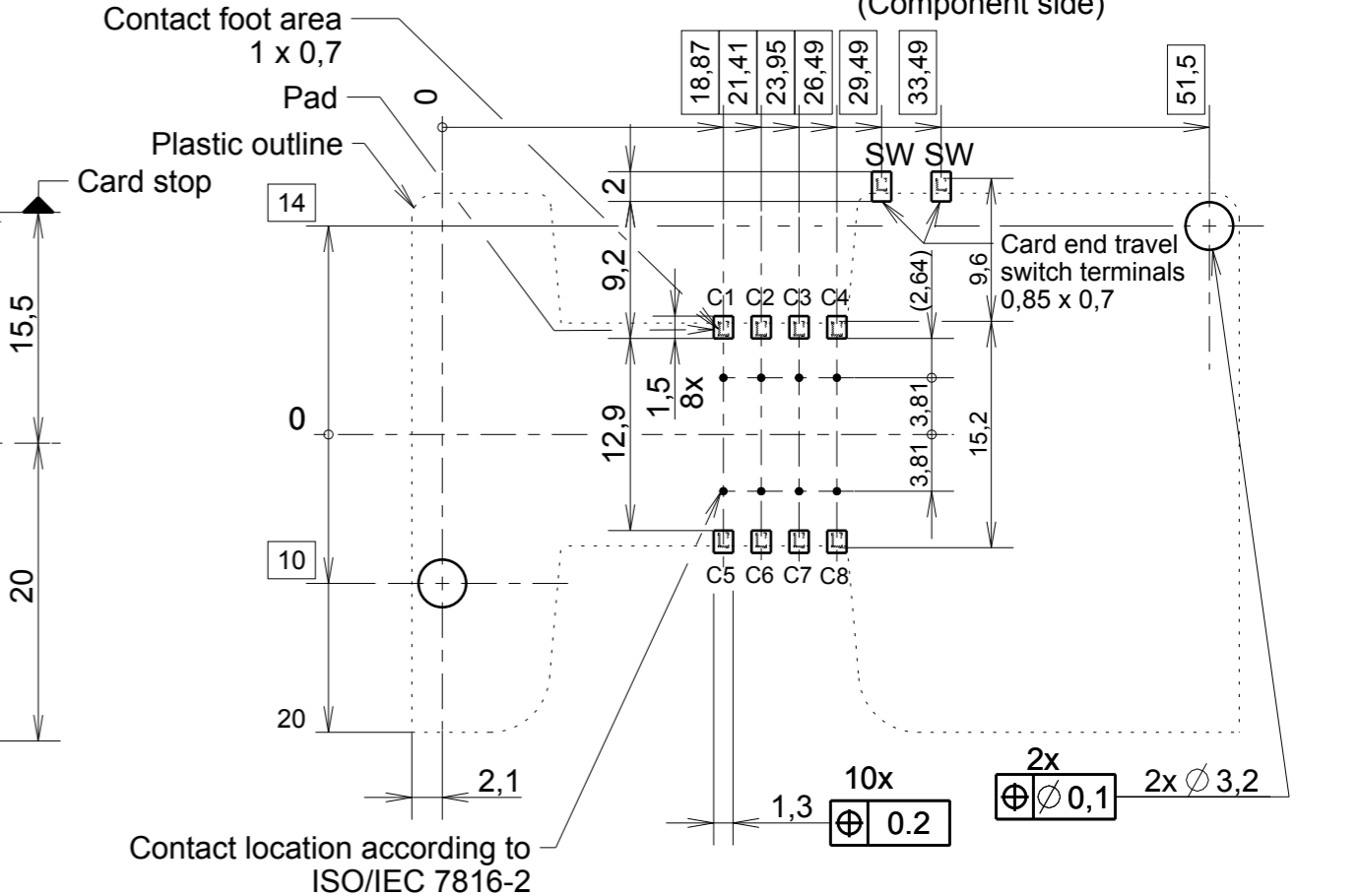
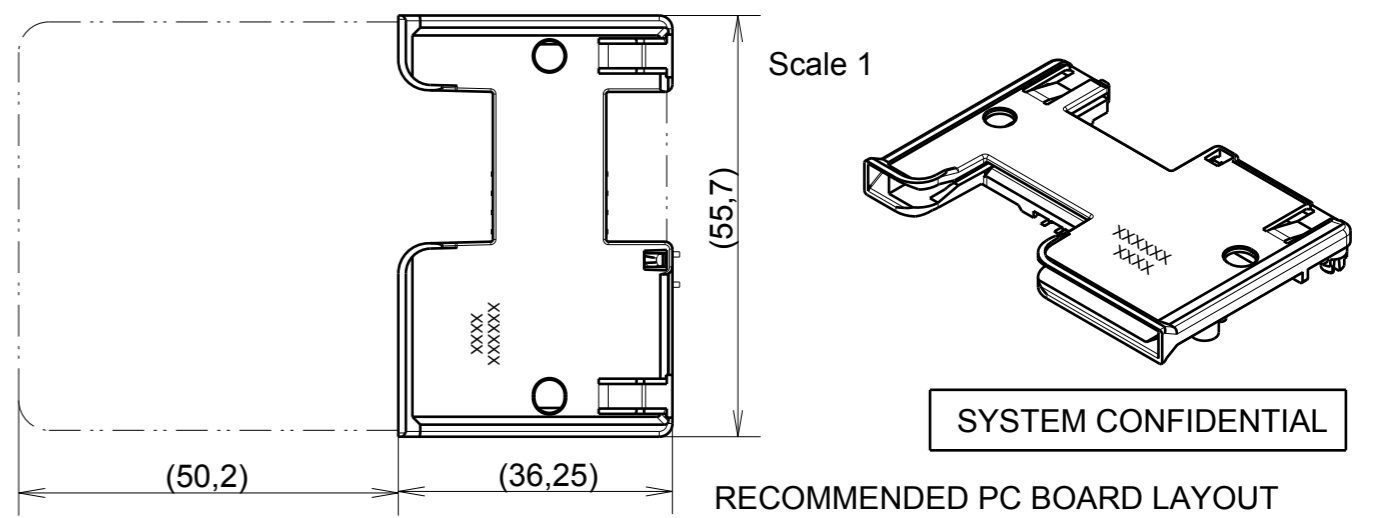
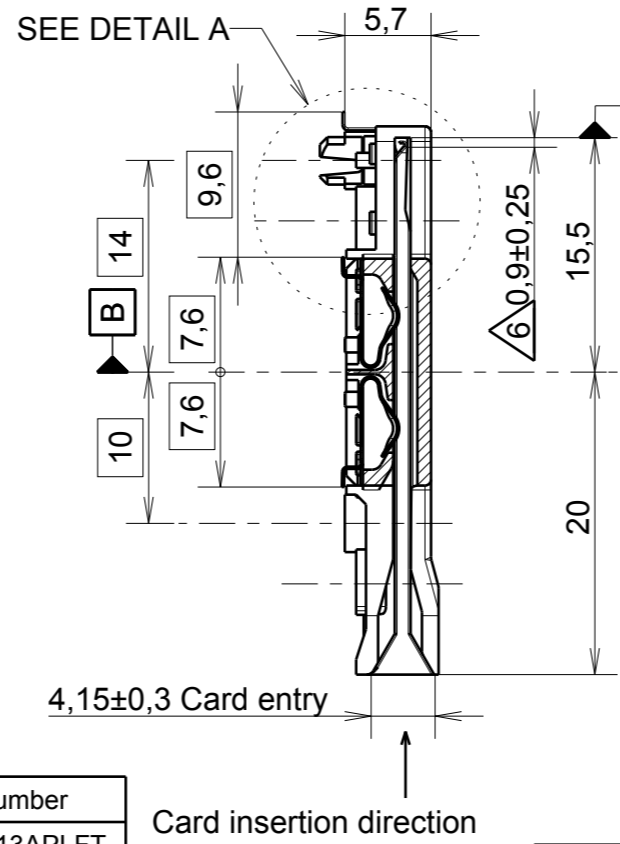
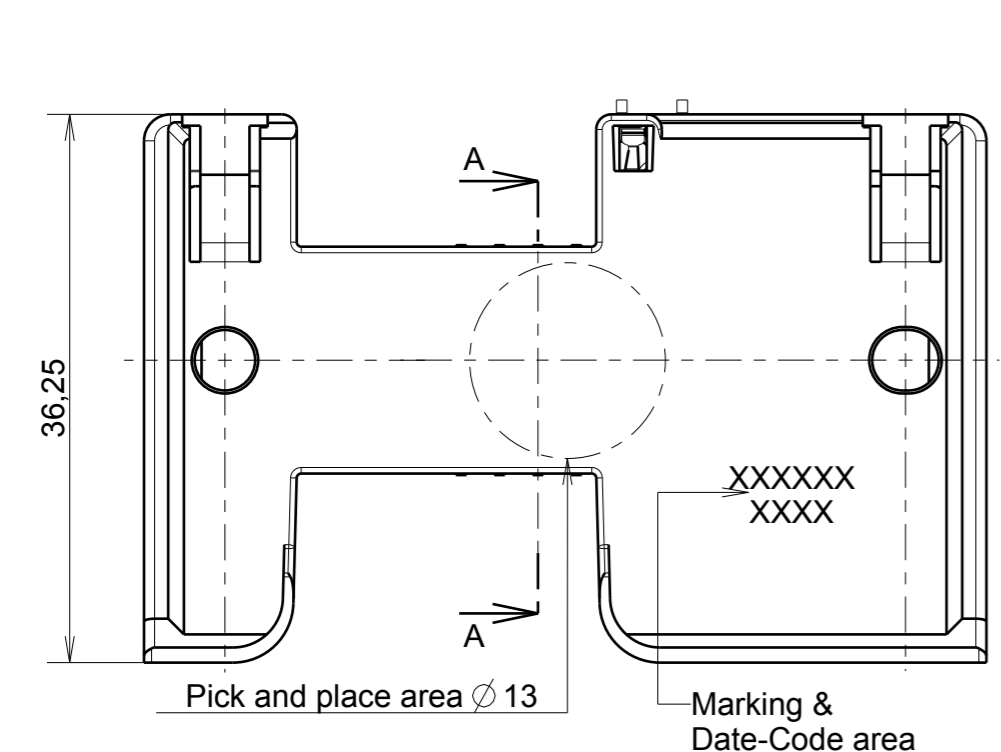
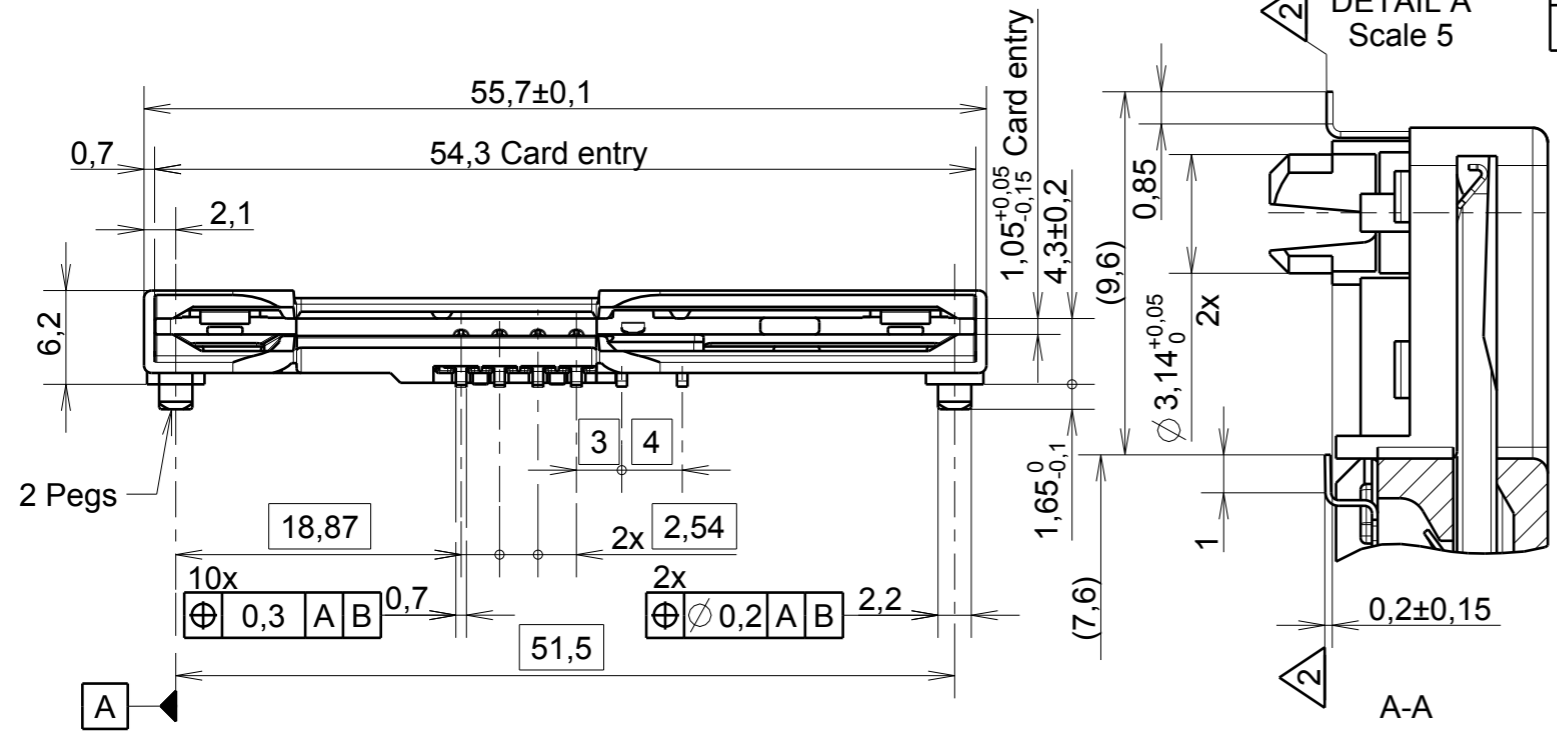
Tel: +86-755-8981 8866 Fax: +86-755-8427 6832

Email & Skype: info@chipsmall.com Web: www.chipsmall.com

Address: A1208, Overseas Decoration Building, #122 Zhenhua RD., Futian, Shenzhen, China



REV.	N° DCR	NATURE DE LA MODIFICATION	DATE	VISA
E	ECR-8638	the 6 pins removed	17/12/2012	GP



Packaging	Packaging drawing	Marking	Designation	Part Number
Tray 30 parts	030278Y0043	2013TP	CCM01-2013AP LFT T30/	Y1112-2013APLFT
Tray 25 parts	030278Y0064		CCM01-2013CP LFT T25/	Y1112-2013CPLFT
Reel	030278Y0059		CCM01-2013BP LFT R201	Y1112-2013BPLFT

- Notes :
- 1 - Termination to PCB : SMT reflow soldering Temperature/time profile according to : C&K PS-LF-001 specification. Since there are no boardlocks , the connector must be held in place on the PCB across the top face of the cover.
 - 2 - Level of each contact tail compared to the nearest plastic stand-off. Coplanarity of metal soldering surfaces : 0,15 mm
 - 3 - Recommendation for solder paste thickness $\geq 0,2$ mm.
 - 4 - 2,5 microns min tin plating on contact terminal areas. 0,1 microns min gold plating on switch terminal areas.
 - 5 - Contact forces :
 - max 0,5 N per contact with max. card thickness.
 - min 0,2 N per contact with min. card thickness.
 - 6 - Card end travel switch NO activates when the sliding card is 0,9 mm from the card stop.
 - 7 - In case of customer accessories integration requesting an interface with CCM, please ask C&K for a 3D model.

MATERIAL / VOLUME	TREATMENT	PROTECTION
UNLESS OTHERWISE : - DIMENSIONS GIVEN BEFORE PROTECTION - BURRS AND SHARP EDGES DELETED	ANGULAR TOLERANCE ± 2 LINEAR TOLERANCE $\pm 0,1$ SURFACE FINISH R_a	CRITICAL DIMENSIONS SPC DIMENSIONS
CREATE BY PAILLE V. DATE 03/07/2007	CHECKED BY DATE	MODIFIED ON THIS REV. ●
APPROVED BY Laurent Kubat DATE 2012.09.17 13:44:39 +02'00'	REPLACE	MODIFICATION see revision table on the first sheet
 C&K Components BP 359 - 39105 Dole - FRANCE -	 SCALE 2,00	FILENAME 1112M1Y2013_JO74IR FOLDER Dossier racine/dole_south_rd/ccm01/mk2/v2 PART DESCRIPTION CCM01-2013xPLFT 2 pegs 3,14 mm
	SIZE A3 SHEET 1 / 1	PART NUMBER CU 1112M1Y2013

THIS DRAWING IS THE PROPERTY OF C&K COMPONENTS SAS. IT CAN NOT BE REPRODUCED OR TRANSMITTED WITHOUT THE WRITTEN PERMISSION OF C&K COMPONENTS SAS.