



Chipsmall Limited consists of a professional team with an average of over 10 year of expertise in the distribution of electronic components. Based in Hongkong, we have already established firm and mutual-benefit business relationships with customers from,Europe,America and south Asia,supplying obsolete and hard-to-find components to meet their specific needs.

With the principle of "Quality Parts,Customers Priority,Honest Operation,and Considerate Service",our business mainly focus on the distribution of electronic components. Line cards we deal with include Microchip,ALPS,ROHM,Xilinx,Pulse,ON,Everlight and Freescale. Main products comprise IC,Modules,Potentiometer,IC Socket,Relay,Connector.Our parts cover such applications as commercial,industrial, and automotives areas.

We are looking forward to setting up business relationship with you and hope to provide you with the best service and solution. Let us make a better world for our industry!



Contact us

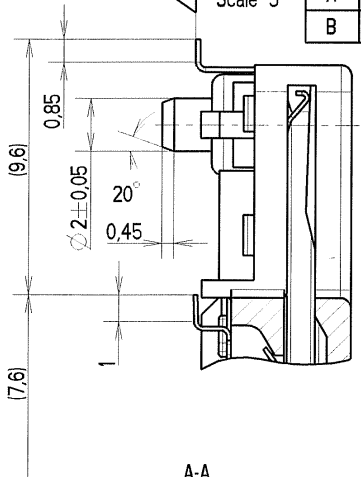
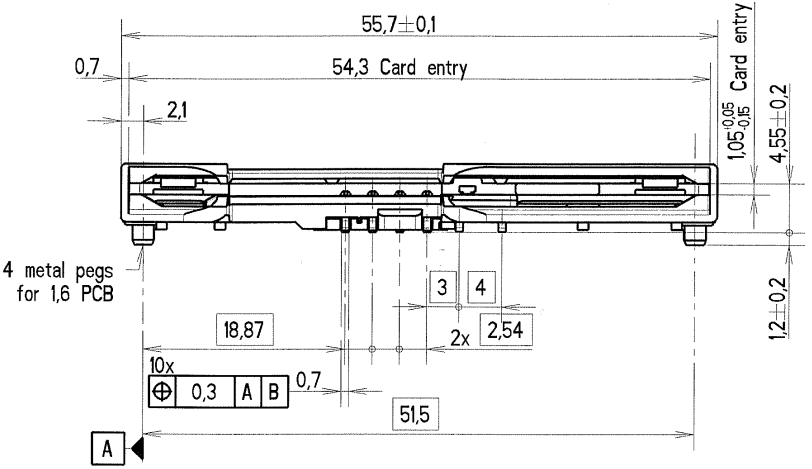
Tel: +86-755-8981 8866 Fax: +86-755-8427 6832

Email & Skype: info@chipsmall.com Web: www.chipsmall.com

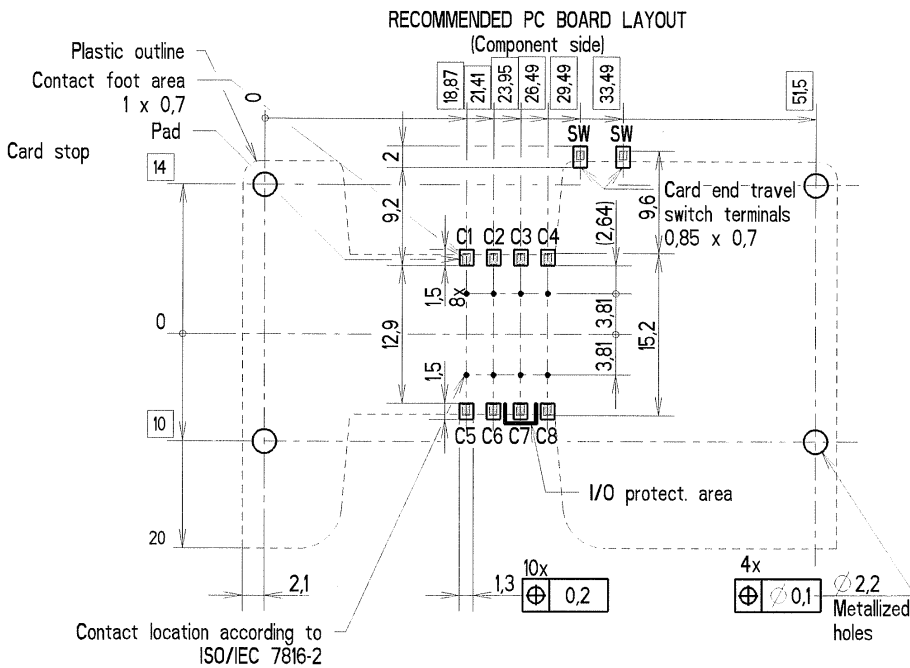
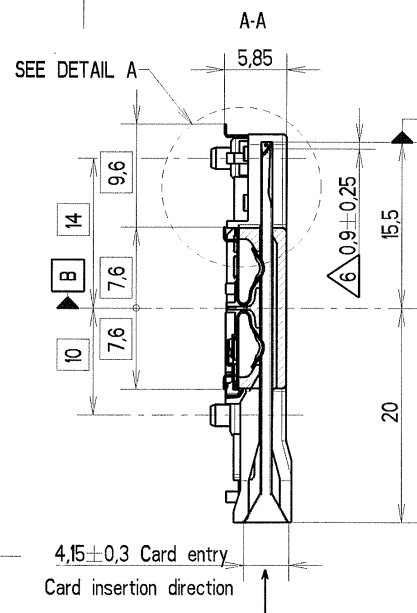
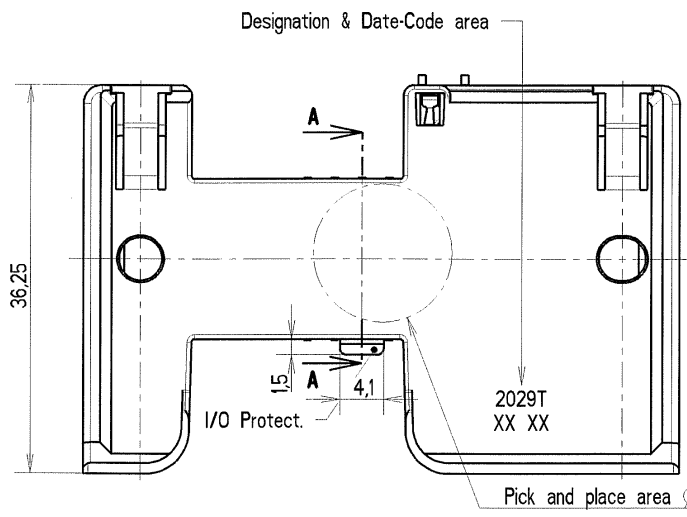
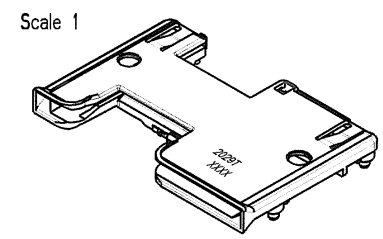
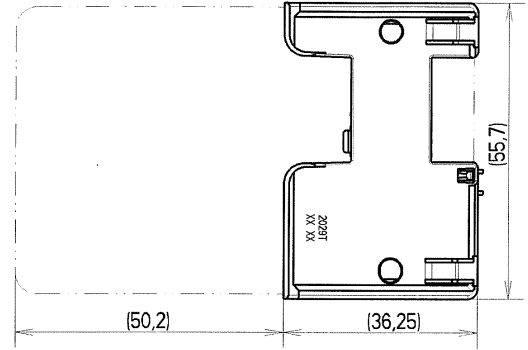
Address: A1208, Overseas Decoration Building, #122 Zhenhua RD., Futian, Shenzhen, China



1
2
3



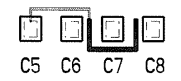
REV.	N° DCR	NATURE DE LA MODIFICATION	DATE	VISA
A	ECR-1410	Marking suppressed	03/10/2007	V.P
B	ECR-3949	Metal pegs added	04/06/2009	J.M



SYSTEM CONFIDENTIAL

- Notes : - 1 - Termination to PCB : SMT reflow soldering
Temperature/time profile according to :
C&K PS-LF-001 specification.
Since there are no boardlocks , the connector must be held in place on the PCB across the top face of the cover.
- 2 - Level of each contact tail compared to the nearest plastic stand-off.
Coplanarity of metal soldering surfaces : 0,15 mm
- 3 - Recommendation for solder paste thickness > 0,2 mm.
- 4 - 2,5 microns min tin plating on contact terminal areas.
0,1 microns min gold plating on switch terminal areas.

- 5 - Contact forces :
- max 0,5 N per contact with max. card thickness.
- min 0,2 N per contact with min. card thickness.
- 6 - Card end travel switch NO activates when the sliding card is 0,9 mm from the card stop.
- 7 - For packaging on tray, see document :
cu 030278Y0043
- 8 - In case of customer accessories integration requesting an interface with CCM, please ask C&K for a 3D model.
- 9 - Electrical diagram for I/O protect :



MATIERE		TRAITEMENT			PROTECTION	
SAUF INDIQUE : -COTES DONNEES AVANT PROTECTION -BAVURES ET ARETES VIVES SUPPRIMEES		TOL. LINEAIRE ± 0,1	TOL. ANGULAIRE ± 2	DIMENSIONS CRITIQUES ▼		
DESSINE PAILLE V. DATE 08/01/2007		ETAT DE SURFACE Ra			DIMENSIONS SPC ▼	
VERIFIE PINON G. DATE 05/06/2009	APPROUVE KUBAT L. DATE 05/06/2009	ANALYSE Y	TAB. FAM. Y	PRO/E Y	LANGAGE E	
REPLACE		PROJECTION 1-ER DIEDRE		DESIGNATION		
C&K Components		ECHELLE 2		CCM01-2029LFT 2x4 contacts SMT + switch NO 4 metal pegs + I/O protect		
BP 359 - 39105 Dole - FRANCE -		TAILLE A3	FEUILLE 1 / 1	NUMERO CU	REV 030288Y2029 B	