



Chipsmall Limited consists of a professional team with an average of over 10 year of expertise in the distribution of electronic components. Based in Hongkong, we have already established firm and mutual-benefit business relationships with customers from,Europe,America and south Asia,supplying obsolete and hard-to-find components to meet their specific needs.

With the principle of "Quality Parts,Customers Priority,Honest Operation,and Considerate Service",our business mainly focus on the distribution of electronic components. Line cards we deal with include Microchip,ALPS,ROHM,Xilinx,Pulse,ON,Everlight and Freescale. Main products comprise IC,Modules,Potentiometer,IC Socket,Relay,Connector.Our parts cover such applications as commercial,industrial, and automotives areas.

We are looking forward to setting up business relationship with you and hope to provide you with the best service and solution. Let us make a better world for our industry!



Contact us

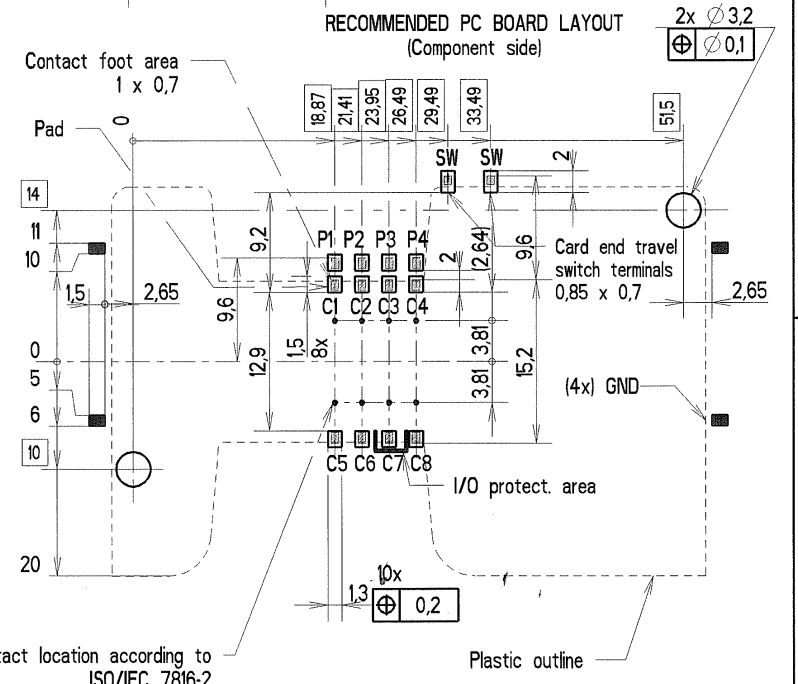
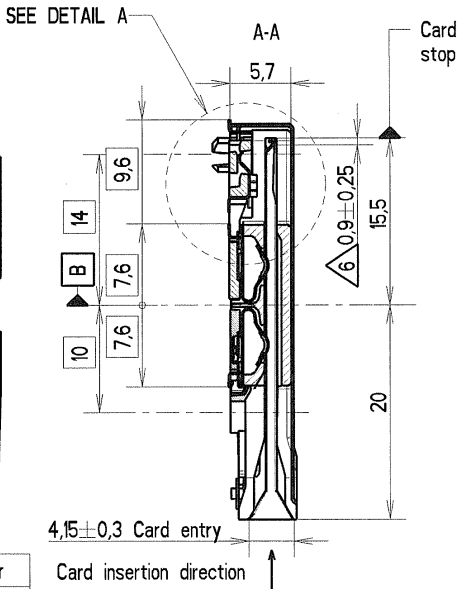
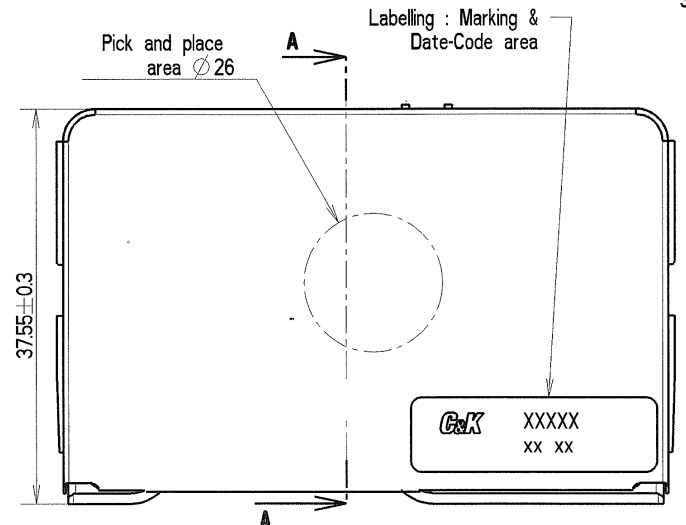
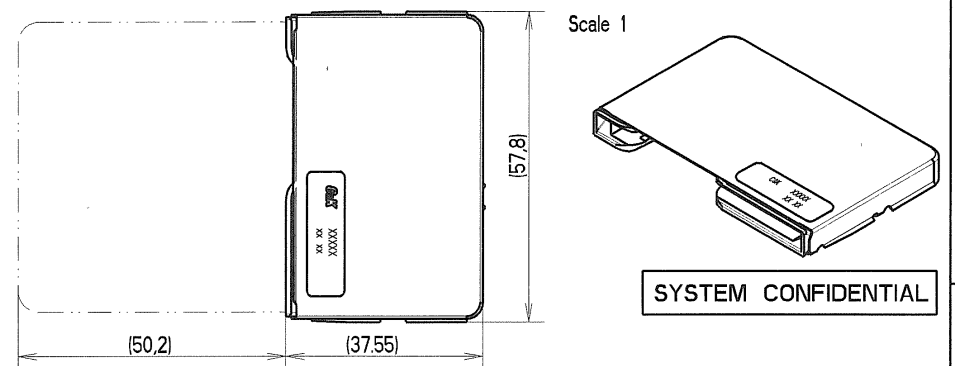
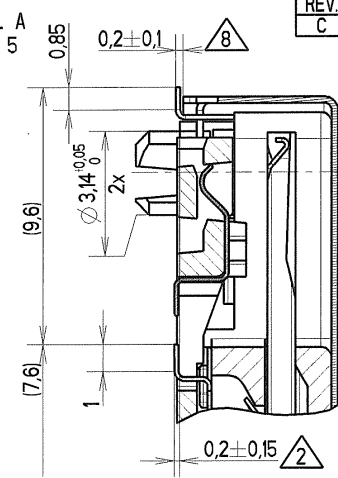
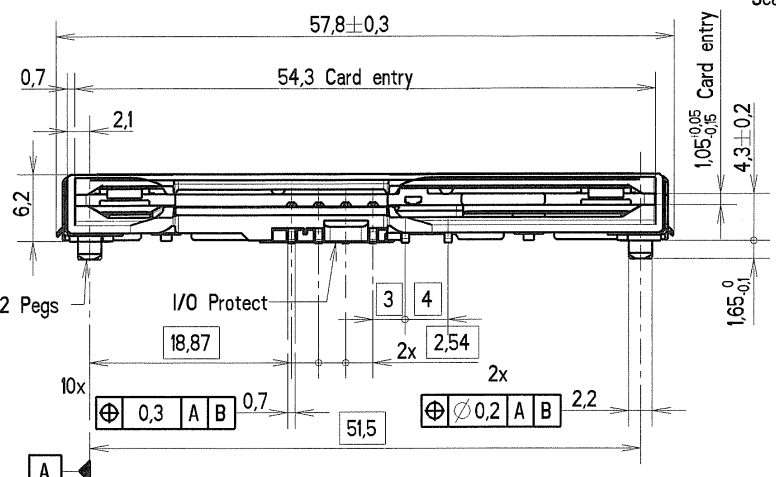
Tel: +86-755-8981 8866 Fax: +86-755-8427 6832

Email & Skype: info@chipsmall.com Web: www.chipsmall.com

Address: A1208, Overseas Decoration Building, #122 Zhenhua RD., Futian, Shenzhen, China



REV. C	N° DCR ECR-1484	NATURE DE LA MODIFICATION References table added	DATE 25/10/2007	VISA V.P
--------	-----------------	---	--------------------	-------------



Packaging	Packaging drawing	Marking	Designation	Part Number
Tray	CU030278Y0060	2038A	CCM01-2038LFT T30/	Y1112-2038A LFT
Reel	CU030278Y0061	2038B	CCM01-2038LFT R181	Y1112-2038B LFT

- Notes :
- 1 - Termination to PCB : SMT reflow soldering Temperature/time profile according to : C&K PS-LF-001 specification.
 - 2 - Since there are no boardlocks , the connector must be held in place on the PCB across the top face of the cover.
 - 3 - Coplanarity of metal soldering surfaces : 0,15 mm
 - 4 - Recommendation for solder paste thickness > 0,2 mm
 - 5 - Contact forces :
 - max 0,5 N per contact with max. card thickness.
 - min 0,2 N per contact with min. card thickness.

- 6 - Card end travel switch NO activates when the sliding card is 0,9 mm from the card stop.
- 7 - Electrical diagram :
 - Cover terminals P1 P2 P3 P4
 - I/O protect C1 C2 C3 C4 C5 C6 C7 C8
 - P1 - P3 = track 1 P2 - P4 = track 2
- 8 - Vertical distance between contacts and cover.
- 9 - In case of customer accessories integration requesting an interface with the CCM, please ask C&K for a 3D model

MATIERE	TOL. LINEAIRE	TOL. ANGULAIRE	TRAITEMENT	PROTECTION
SAUF INDIQUE :	± 0,1	± 2	ETAT DE SURFACE	DIMENSIONS CRITIQUES
-COTES DONNEES AVANT PROTECTION			Re	DIMENSIONS SPC
-BAUVRES ET ARETES VIVES SUPPRIMEES				LANGAGE
DESSINE PAILLE V. DATE 08/01/2007	ANALYSE Y	TAB. FAM. Y	PRO/E Y	A
VERIFIE DUPRAT D. DATE 25/10/07				
APPROUVE KUBAT L. DATE 26/10/07	REPLACE			
G&K C&K Components	PROJECTION FER DIEDRE	DESIGNATION		
	ECHELLE 2	CCM01-2038 LFT SMT + 2 pegs + protection level one		
TAILLE BP 359 - 39105 Dole - FRANCE -	FEUILLE A3	NUMERO 1 / 1	REV CU	030288Y2038 C

CE PLAN EST LA PROPRIETE DE C&K COMPONENTS SAS ET NE PEUT ETRE REPRODUIT OU COMMUNIQUE SANS SON AUTORISATION

A B C D E F