



Chipsmall Limited consists of a professional team with an average of over 10 year of expertise in the distribution of electronic components. Based in Hongkong, we have already established firm and mutual-benefit business relationships with customers from,Europe,America and south Asia,supplying obsolete and hard-to-find components to meet their specific needs.

With the principle of “Quality Parts,Customers Priority,Honest Operation,and Considerate Service”,our business mainly focus on the distribution of electronic components. Line cards we deal with include Microchip,ALPS,ROHM,Xilinx,Pulse,ON,Everlight and Freescale. Main products comprise IC,Modules,Potentiometer,IC Socket,Relay,Connector.Our parts cover such applications as commercial,industrial, and automotives areas.

We are looking forward to setting up business relationship with you and hope to provide you with the best service and solution. Let us make a better world for our industry!



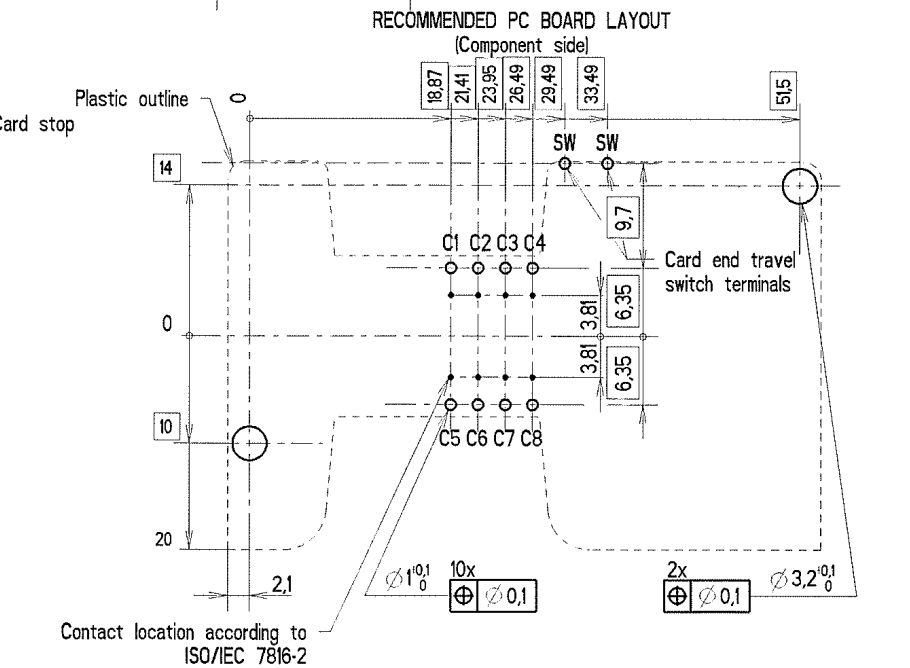
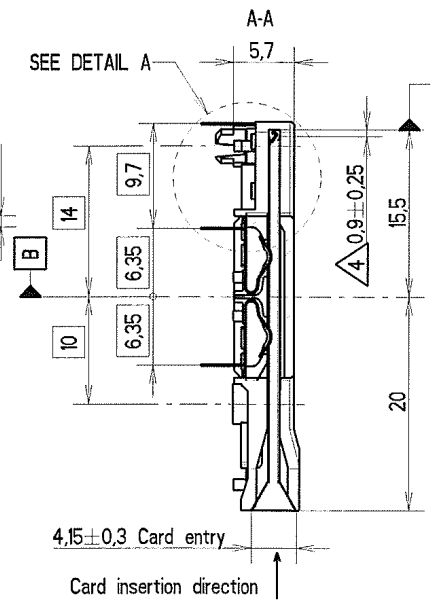
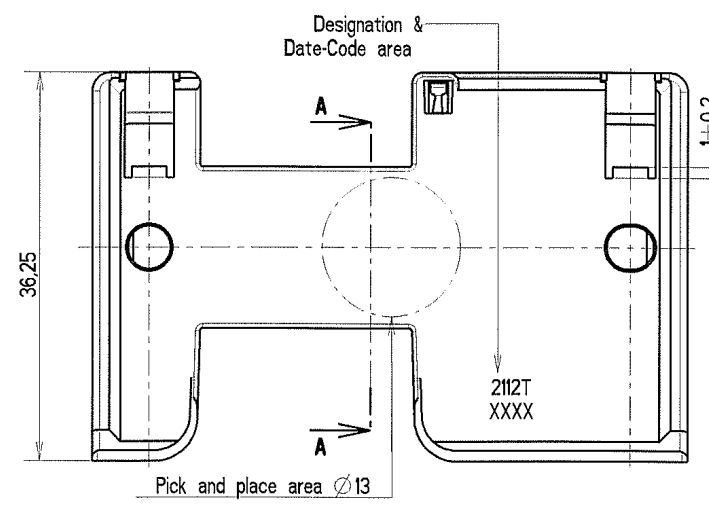
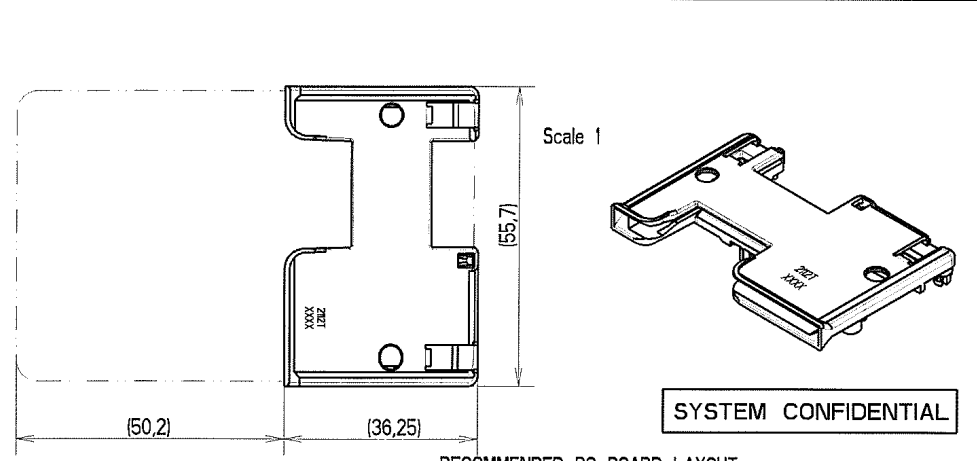
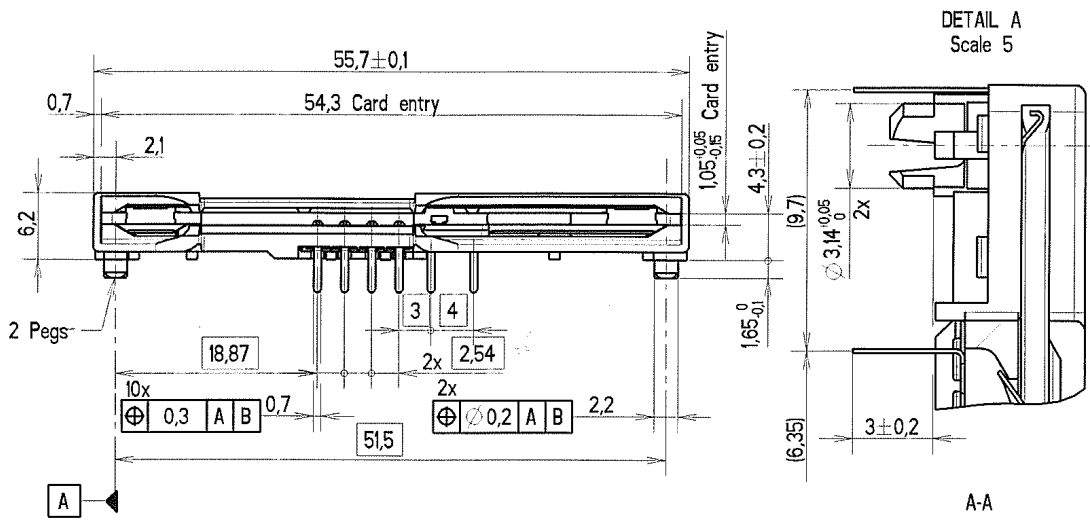
Contact us

Tel: +86-755-8981 8866 Fax: +86-755-8427 6832

Email & Skype: info@chipsmall.com Web: www.chipsmall.com

Address: A1208, Overseas Decoration Building, #122 Zhenhua RD., Futian, Shenzhen, China





- Notes :
- 1 - Termination to PCB : Thru-hole tails
Temperature/time profile according to : C&K PS-LF-002 specification.
Since there are no boardlocks , the connector must be held in place on the PCB across the top face of the cover.
 - 2 - 2.5 microns min tin plating on contact terminal areas.
0,1 microns min gold plating on switch terminal areas.
 - 3 - Contact forces :
- max 0,5 N per contact with max. card thickness.
- min 0,2 N per contact with min. card thickness.

- 4 - Card end travel switch NO activates when the sliding card is 0,9 mm from the card stop.
- 5 - For packaging on tray, see document : cu 030278Y0043.
- 6 - In case of customer accessories integration requesting an interface with CCM, please ask C&K for a 3D model.

MATIERE	TRAITEMENT	PROTECTION
SAUF INDIQUE : -COTES DONNEES AVANT PROTECTION -BAVURES ET ARETES VIVES SUPPRIMEES	TOL. LINEAIRE ± 0,1 TOL. ANGULAIRE ± 2° ETAT DE SURFACE Ra	DIMENSIONS CRITIQUES DIMENSIONS SPC
DESIGNE D.FERRATON VERIFIE G.PINON APPROUVE L.KUBAT	DATE 24-02-2009 DATE 24-02-2009 DATE 24-02-2009	ANALYSE Y TAB. FAM. Y PROVE Y LANGAGE E
 C&K Components BP 359 - 39105 Dole - FRANCE -	PROJECTION 1ER DIEDRE ECHELLE 2	DESIGNATION CCM01-2112LFT thru-hole + 2 pegs at 3.14mm Without plastic brake
	TAILLE A3 FEUILLE 1 / 1	NUMERO CU 1112M1Y2112 REV

CE PLAN EST LA PROPRIETE DE C&K COMPONENTS SAS ET NE PEUT ETRE REPRODUIT OU COMMUNIQUE SANS SON AUTORISATION