



Chipsmall Limited consists of a professional team with an average of over 10 year of expertise in the distribution of electronic components. Based in Hongkong, we have already established firm and mutual-benefit business relationships with customers from,Europe,America and south Asia,supplying obsolete and hard-to-find components to meet their specific needs.

With the principle of “Quality Parts,Customers Priority,Honest Operation,and Considerate Service”,our business mainly focus on the distribution of electronic components. Line cards we deal with include Microchip,ALPS,ROHM,Xilinx,Pulse,ON,Everlight and Freescale. Main products comprise IC,Modules,Potentiometer,IC Socket,Relay,Connector.Our parts cover such applications as commercial,industrial, and automotives areas.

We are looking forward to setting up business relationship with you and hope to provide you with the best service and solution. Let us make a better world for our industry!



Contact us

Tel: +86-755-8981 8866 Fax: +86-755-8427 6832

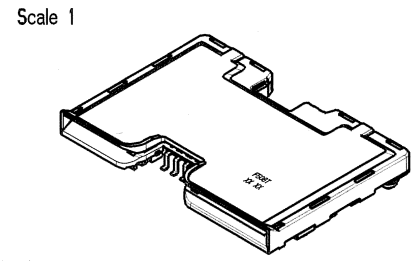
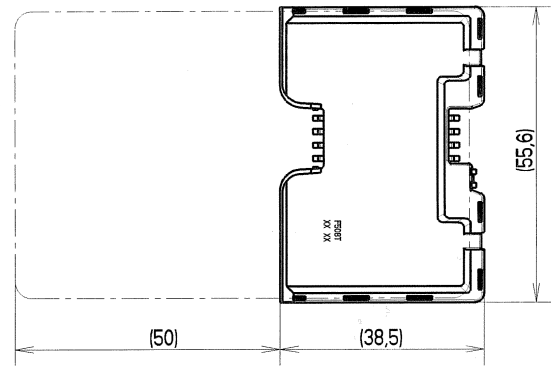
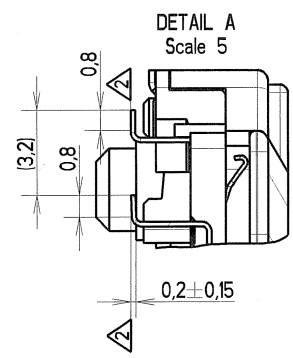
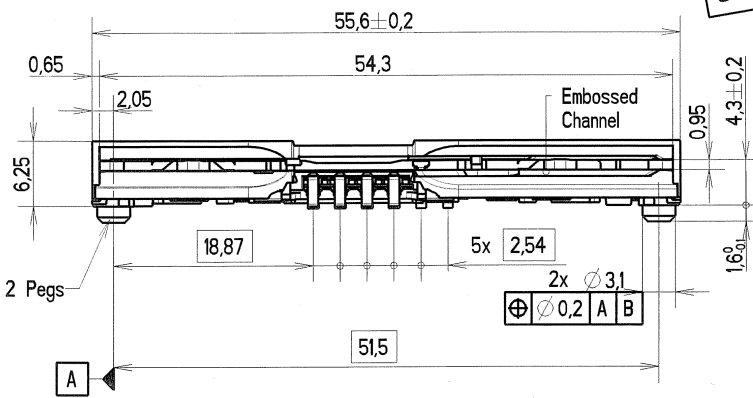
Email & Skype: info@chipsmall.com Web: www.chipsmall.com

Address: A1208, Overseas Decoration Building, #122 Zhenhua RD., Futian, Shenzhen, China

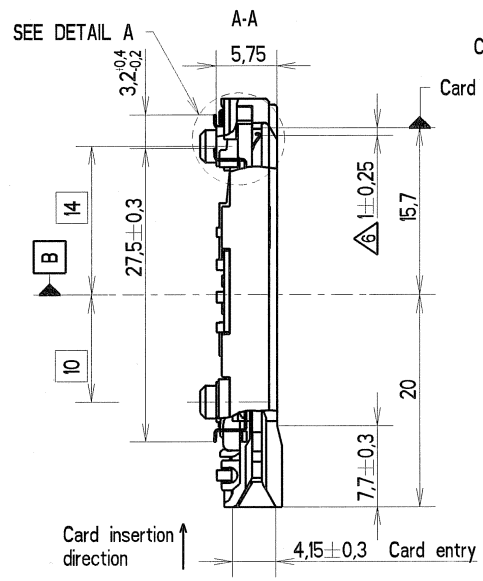
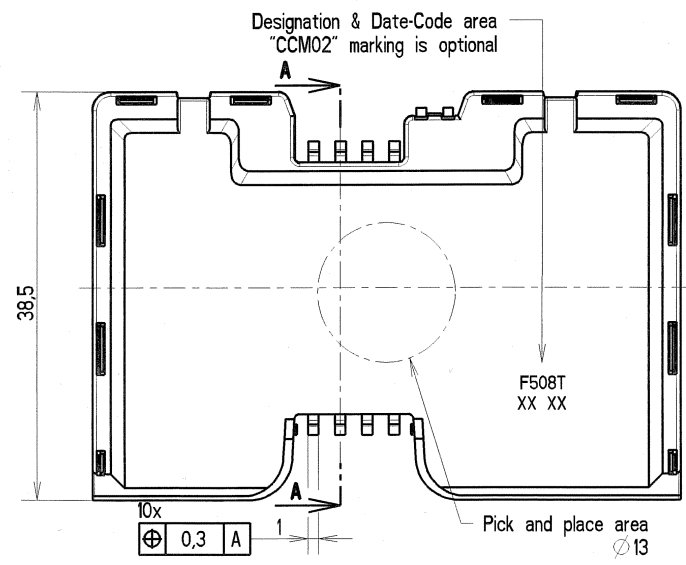
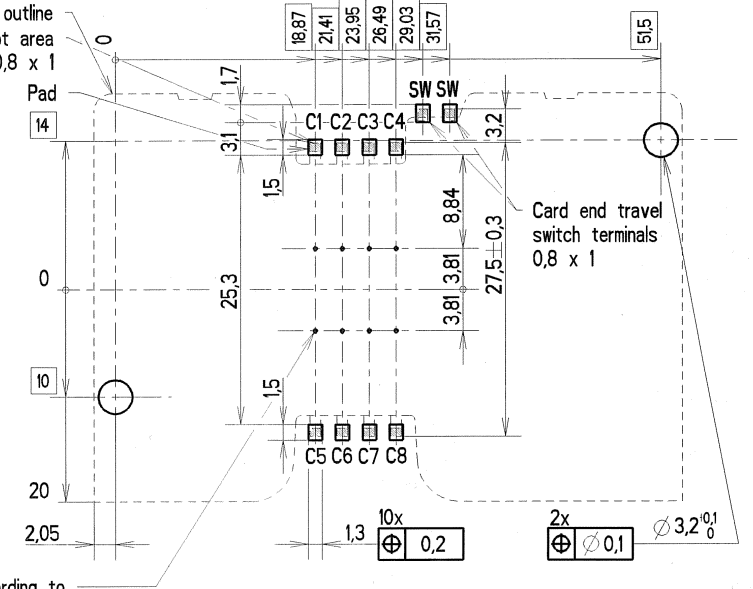


SYSTEM CONFIDENTIAL

REV.	N° DCR	NATURE DE LA MODIFICATION	DATE	VISA
------	--------	---------------------------	------	------



RECOMMENDED PC BOARD LAYOUT (Component side)



Contact location according to ISO/IEC 7816-2

- Notes :
- 1 - Termination to PCB : SMT reflow soldering Temperature/time profile according to : C&K PS-LF-001 specification. Since there are no boardlocks, the connector must be held in place on the PCB across the top face of the cover.
 - 2 - Level of each contact tail compared to the nearest plastic stand-off. Coplanarity of metal soldering surfaces : 0,15 mm.
 - 3 - Recommendation for solder paste thickness > 0,2 mm.
 - 4 - 2,5 microns min tin plating on contact terminal areas and 0,1 microns min gold plating on switch terminal areas.
 - 5 - Contacts forces :
 - max 0,5 N per contact with max. card thickness.
 - min 0,2 N per contact with min. card thickness.

- 6 - Card end travel switch NO activates when the sliding card is 1 mm from the card stop.
- 7 - For packaging on tray, see document : cu 030278Y0041.
- 8 - In case of customer accessories integration requesting an interface with CCM, please ask C&K for a 3D model.

MATIERE	TOL. LINEAIRE	TOL. ANGULAIRE	TRAITEMENT	PROTECTION
SAUF INDIQUE :	± 0,1	± 2	ETAT DE SURFACE	DIMENSIONS CRITIQUES
-COTES DONNEES AVANT PROTECTION			Ra	DIMENSIONS SPC
-BAUVRES ET ARETES VIVES SUPPRIMEES				LANGAGE
DESSINE D.FERRATON	DATE 11-02-2009	ANALYSE Y	TAB. FAM. Y	PRO/E Y
VERIFIE G.PINON	DATE 11-02-2009	REPLACE		
APPROUVE L.KUBAT	DATE 11-02-2009			
 C&K Components	PROJECTION 1-ER DIEDRE	DESIGNATION		
	ECHELLE 2	CCM02-F508LFT SLIDING VERSION 2 pegs		
BP 359 - 39105 Dole - FRANCE -	TAILLE A3	FEUILLE 1 / 1	NUMERO CU	REV 1122M1YF508

LE PLAN EST LA PROPRIETE DE C&K. COMPONENTS SAS ET IL PEUT ETRE REPRODUIT OU COMMUNIQUE SANS SON AUTORISATION