



Chipsmall Limited consists of a professional team with an average of over 10 year of expertise in the distribution of electronic components. Based in Hongkong, we have already established firm and mutual-benefit business relationships with customers from,Europe,America and south Asia,supplying obsolete and hard-to-find components to meet their specific needs.

With the principle of “Quality Parts,Customers Priority,Honest Operation,and Considerate Service”,our business mainly focus on the distribution of electronic components. Line cards we deal with include Microchip,ALPS,ROHM,Xilinx,Pulse,ON,Everlight and Freescale. Main products comprise IC,Modules,Potentiometer,IC Socket,Relay,Connector.Our parts cover such applications as commercial,industrial, and automotives areas.

We are looking forward to setting up business relationship with you and hope to provide you with the best service and solution. Let us make a better world for our industry!



Contact us

Tel: +86-755-8981 8866 Fax: +86-755-8427 6832

Email & Skype: info@chipsmall.com Web: www.chipsmall.com

Address: A1208, Overseas Decoration Building, #122 Zhenhua RD., Futian, Shenzhen, China



CCM03 MK2 Series



Features

- SIM/SAM card acceptance
- Hinged and fixed covers
- Compatible with pick and place and lead free soldering

Typical Applications

- Handheld products
- Identification
- POS
- Automotive

Mechanical

| | |
|-------------------------------|---|
| Number of Contacts | 6 or 8 |
| Mechanical life, hinged cover | 10,000 cycles min |
| Mechanical life, fixed cover | 50,000 cycles |
| Card insertion force | Hinged cover: 1N max Fixed cover: 3N max |
| Card extraction force | Hinged cover: 1N max Fixed cover: 0,80N min / 3N max |
| Contact force | 0,25N min / 0,50N max |
| Slide locking force | 2N min / 6N max 1,8N max. for complete depression |
| Vibration Frequency | 10 to 500 Hz. Acceleration 50m/s ² Duration 6 hours - amplitude 0,35 mm |
| Max electrical discontinuity | 1µs |
| Shock | Peak value 500 m/s ² – Duration 11 ms 3 shocks in each direction of each axis |

Switch Electrical Data

| | |
|-----------------------|----------------------|
| Card detection switch | Normally open |
| Contact resistance | 100 mΩ max |
| Dielectric strength | 250 Vrms min |
| Current rating | 1 mA min / 10m A max |
| Maximum power | 0.2 VA |

Environment Data

| | |
|-----------------------|------------------------------------|
| Operating temperature | -40°C to +85°C |
| Damp heat | IEC 512 test number 11c (10 days) |
| Salt mist | IEC 512 test number 11f (96 hours) |
| RoHS compliant | |

Soldering Process

Compatible with lead free SMT soldering process



Contact Electrical Data

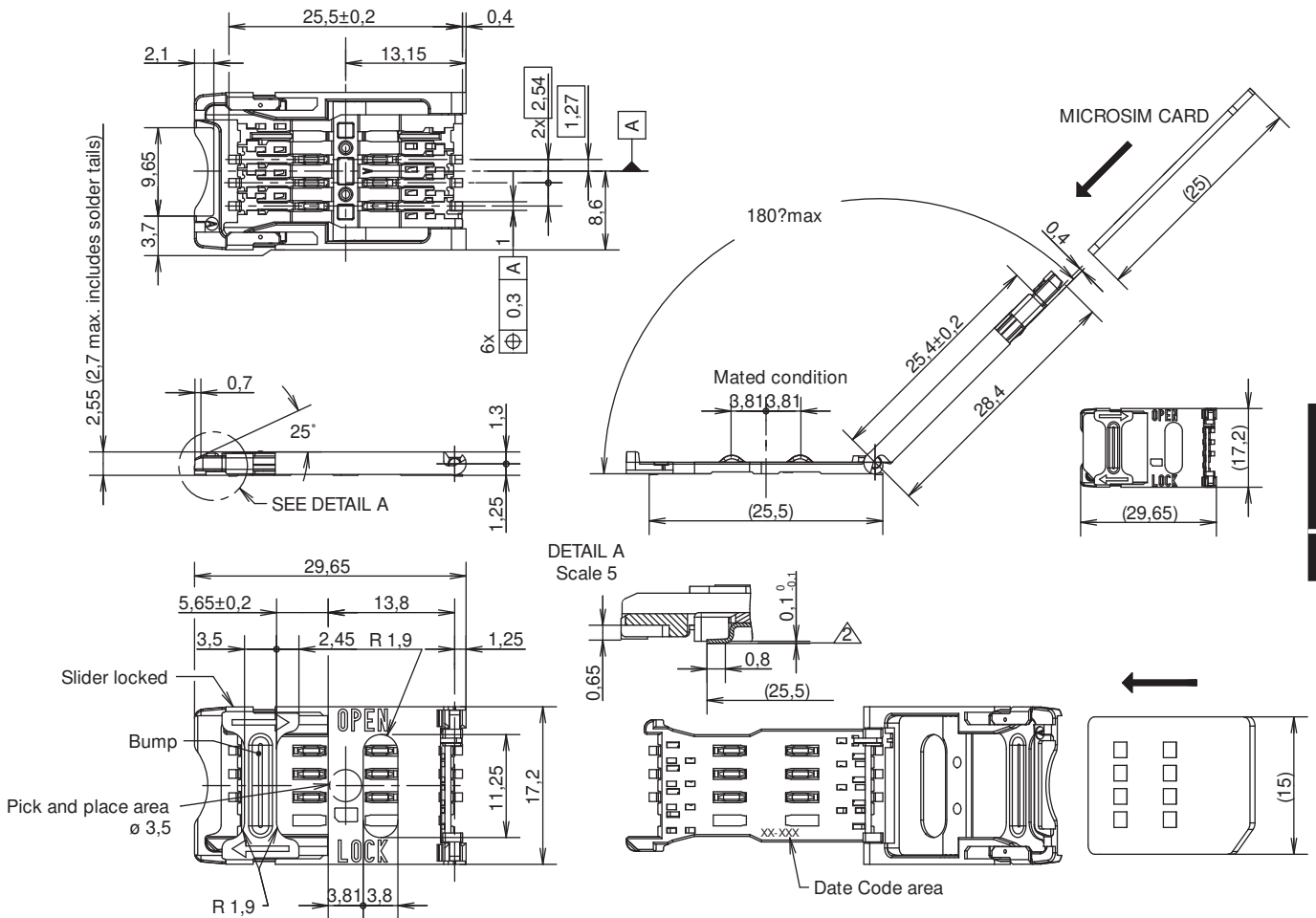
| | |
|-----------------------|---------------------|
| Insulation resistance | 1,000 MΩ min |
| Resistance | 100 mΩ max |
| Current rating | 10 µA min / 1 A max |
| Dielectric strength | 750 Vrms min |

| Designation | Contact Plating | Cover | # of Contacts | PCB Version | Card Presence Switch | Operating Life | Total Height (mm) | Dim. (mm) | Packaging |
|---------------|-----------------|--------|---------------|-----------------------|----------------------|----------------|-------------------|--------------|--------------------|
| CCM03-3001LFT | inlay | hinged | 6 | | without | 10,000 | 2,55 | 17,2 x 29,65 | reels of 1,000 pcs |
| CCM03-3002LFT | inlay | hinged | 6 | 2 plastic pegs | without | 10,000 | 2,55 | 17,2 x 29,65 | reels of 1,000 pcs |
| CCM03-3003LFT | inlay | hinged | 8 | | without | 10,000 | 2,55 | 17,2 x 29,65 | reels of 1,000 pcs |
| CCM03-3004LFT | inlay | hinged | 8 | 2 plastic pegs | without | 10,000 | 2,55 | 17,2 x 29,65 | reels of 1,000 pcs |
| CCM03-3009LFT | gold | hinged | 6 | | without | 10,000 | 2,55 | 17,2 x 29,65 | reels of 1,000 pcs |
| CCM03-3010LFT | gold | hinged | 6 | 2 plastic pegs | without | 10,000 | 2,55 | 17,2 x 29,65 | reels of 1,000 pcs |
| CCM03-3011LFT | gold | hinged | 8 | | without | 10,000 | 2,55 | 17,2 x 29,65 | reels of 1,000 pcs |
| CCM03-3012LFT | gold | hinged | 8 | 2 plastic pegs | without | 10,000 | 2,55 | 17,2 x 29,65 | reels of 1,000 pcs |
| CCM03-3013LFT | gold | hinged | 6 | | with | 10,000 | 2,55 | 17,2 x 29,65 | reels of 1,000 pcs |
| CCM03-3512LFT | gold | hinged | 6 | Large soldering pads* | without | 10,000 | 2,55 | 17,2 x 29,65 | reels of 1,000 pcs |
| CCM03-3504LFT | gold | fixed | 8 | | without | 50,000 | 2,85 | 17,2 x 25,5 | reels of 1,000 pcs |
| CCM03-3505LFT | gold | fixed | 6 | | without | 50,000 | 2,85 | 17,2 x 25,5 | reels of 1,000 pcs |
| CCM03-3754LFT | inlay | fixed | 6 | | with | 10,000 | 3,5 | 16,5 x 18,05 | reels of 1,000 pcs |
| CCM03-3760LFT | inlay | fixed | 6 | | without | 10,000 | 3,45 | 16,5 x 15,85 | reels of 1,000 pcs |
| CCM03-3764LFT | inlay | none | 6 | | with | 10,000 | 2,9 | 16,5 x 15,85 | reels of 1,000 pcs |

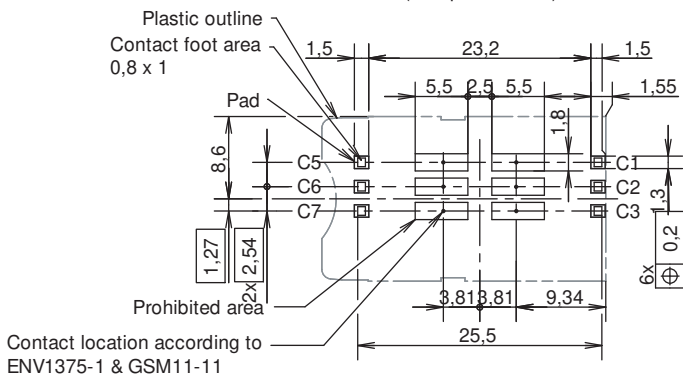
* Can go through reflow upside down

CCM03 MK2 Series

CCM03-3001 LFT / CCM03-3009 LFT



RECOMMENDED PC BOARD LAYOUT
(Component side)



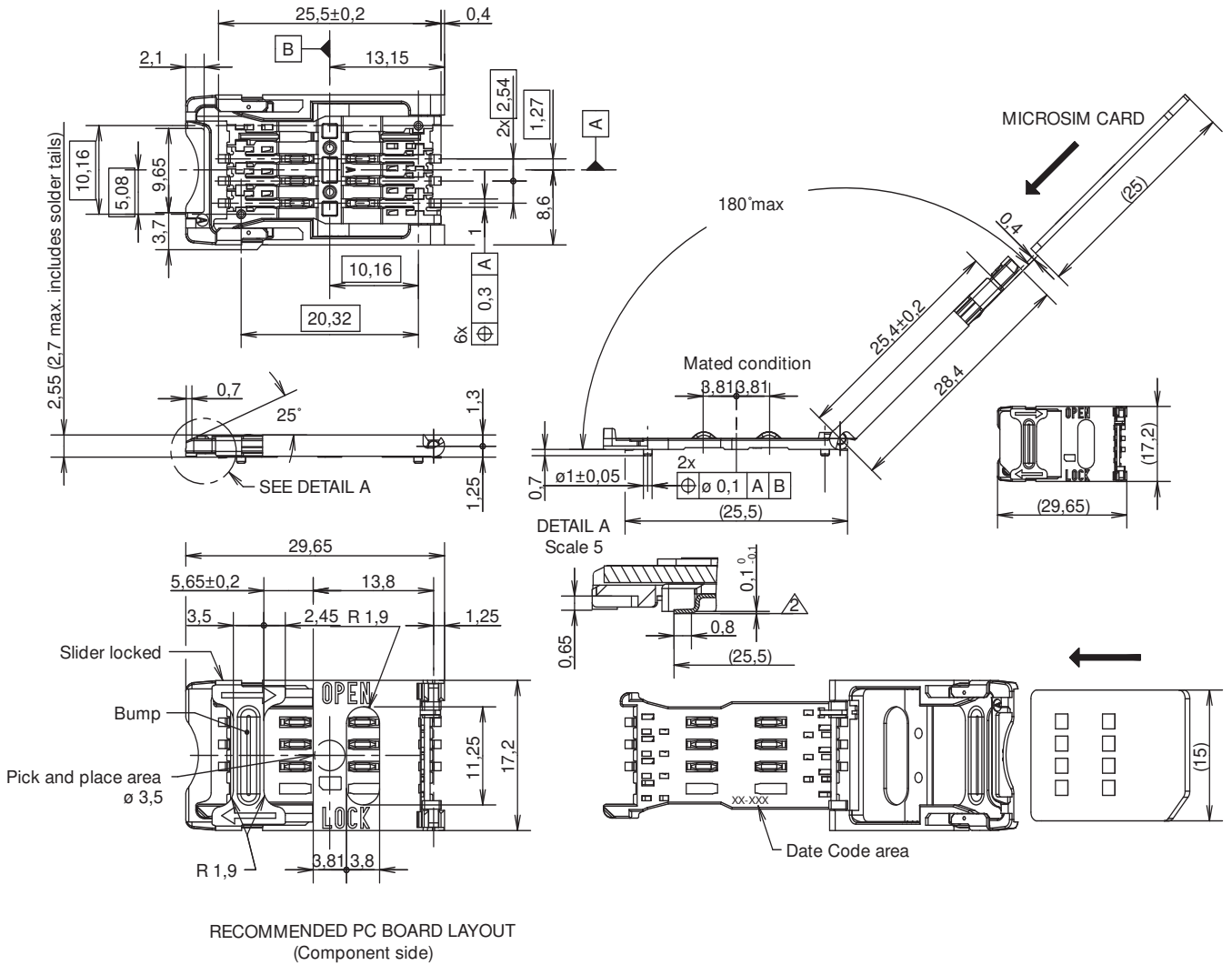
Dimensions are shown in mm
Specifications and dimensions subject to change

www.ck-components.com

CCM03 MK2 Series

CCM03-3002 LFT / CCM03-3010 LFT

SIM/SAM

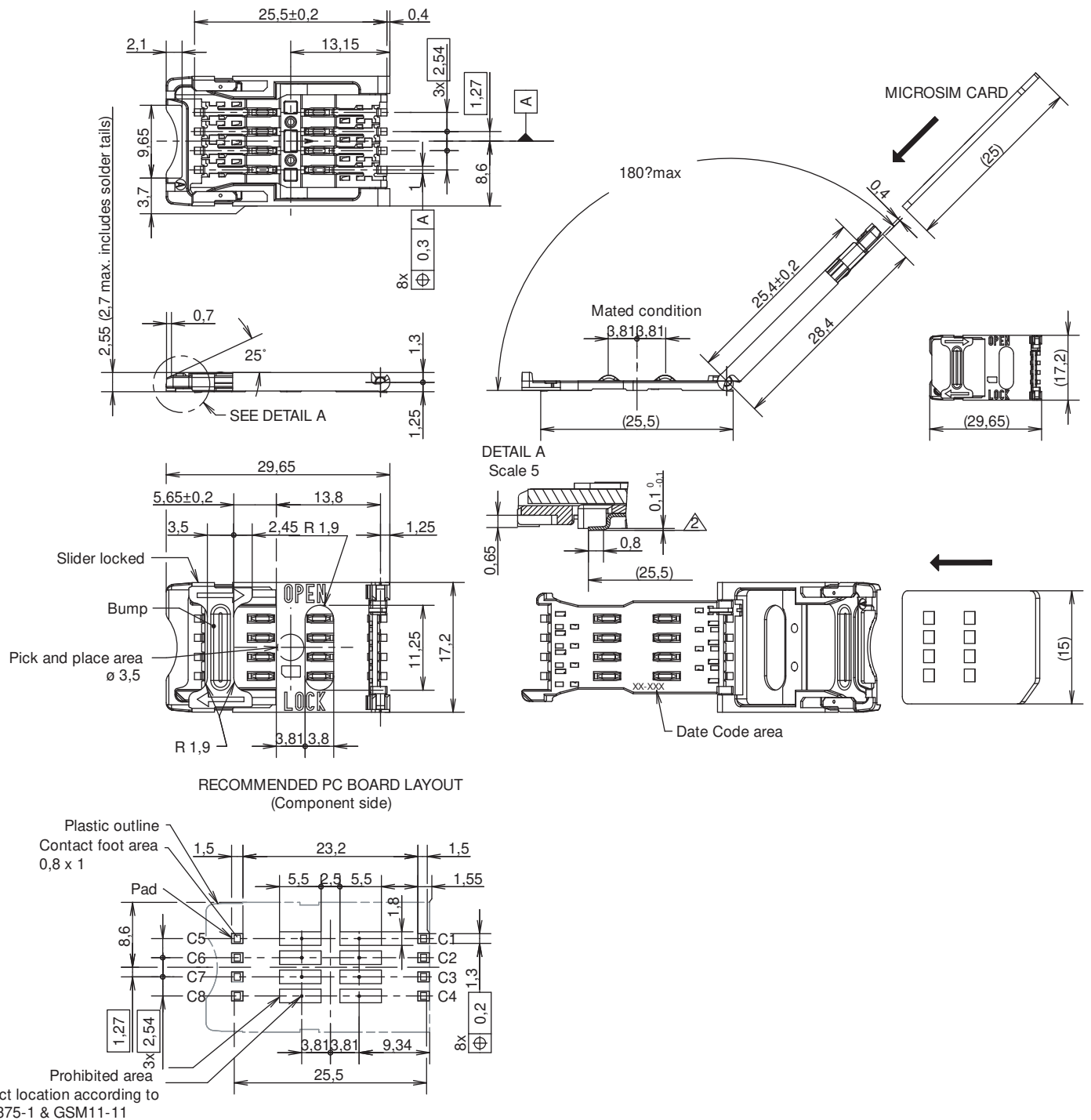


Dimensions are shown in mm
Specifications and dimensions subject to change

www.ck-components.com

CCM03 MK2 Series

CCM03-3003 LFT



SIM / SAM

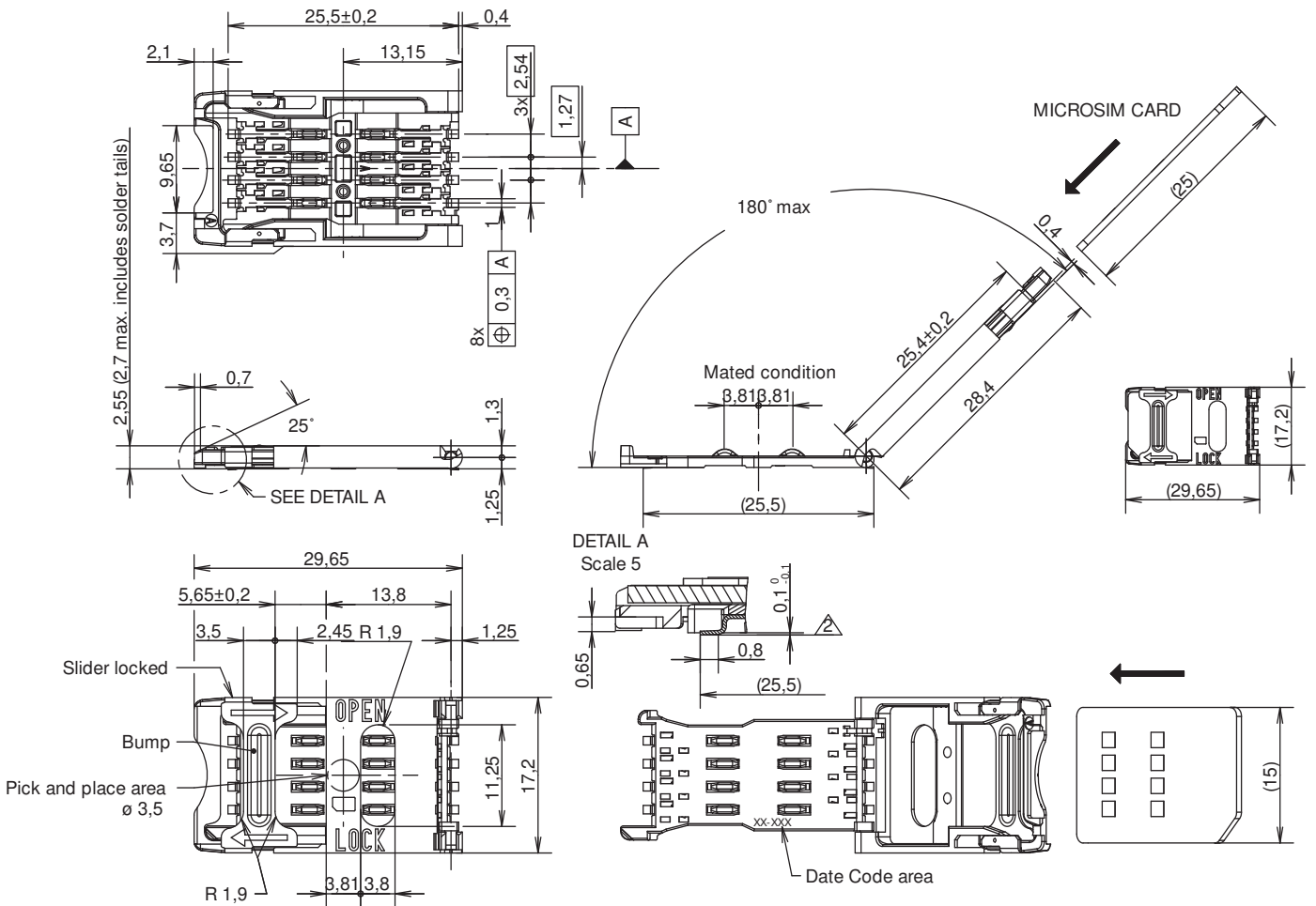


Dimensions are shown in mm
Specifications and dimensions subject to change

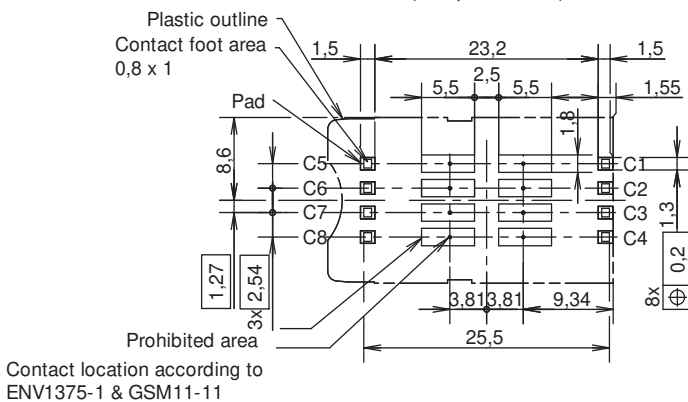
www.ck-components.com

CCM03 MK2 Series

CCM03-3011 LFT



RECOMMENDED PC BOARD LAYOUT (Component side)



SIM / SAM



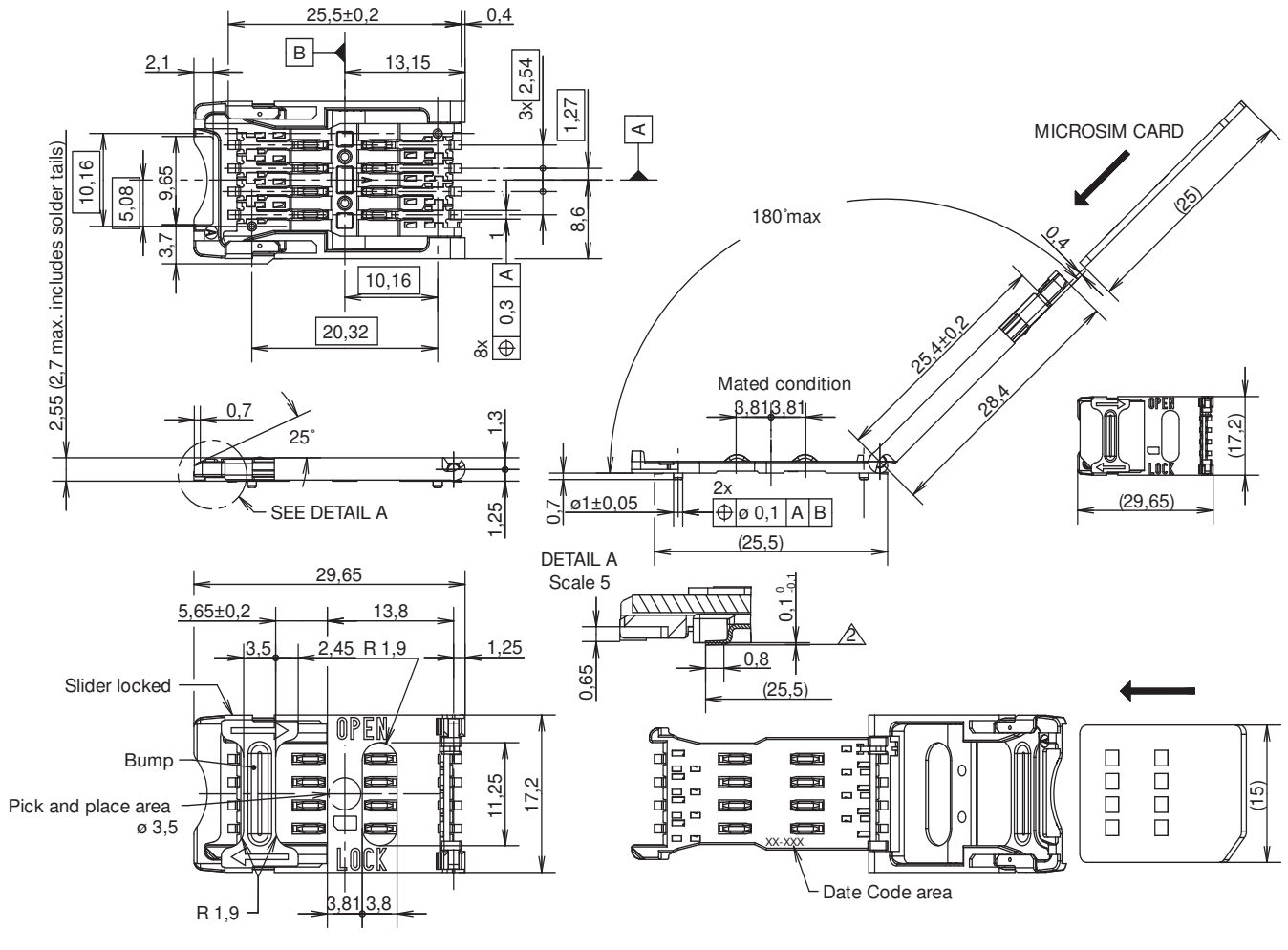
Dimensions are shown in mm
Specifications and dimensions subject to change

www.ck-components.com

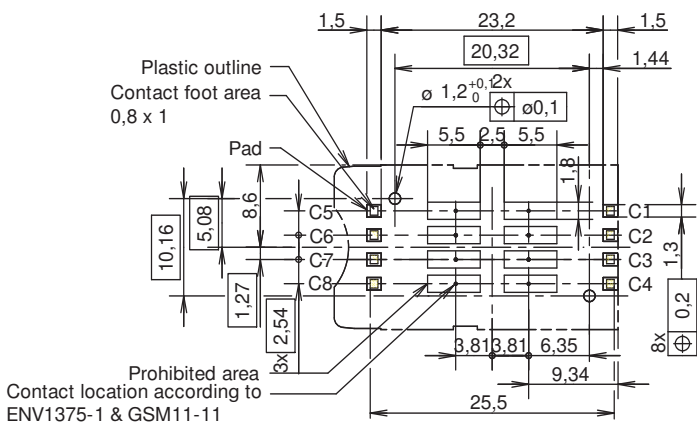
CCM03 MK2 Series

CCM03-3012 LFT

SIM/SAM



RECOMMENDED PC BOARD LAYOUT
(Component side)



Dimensions are shown in mm

Specifications and dimensions subject to change

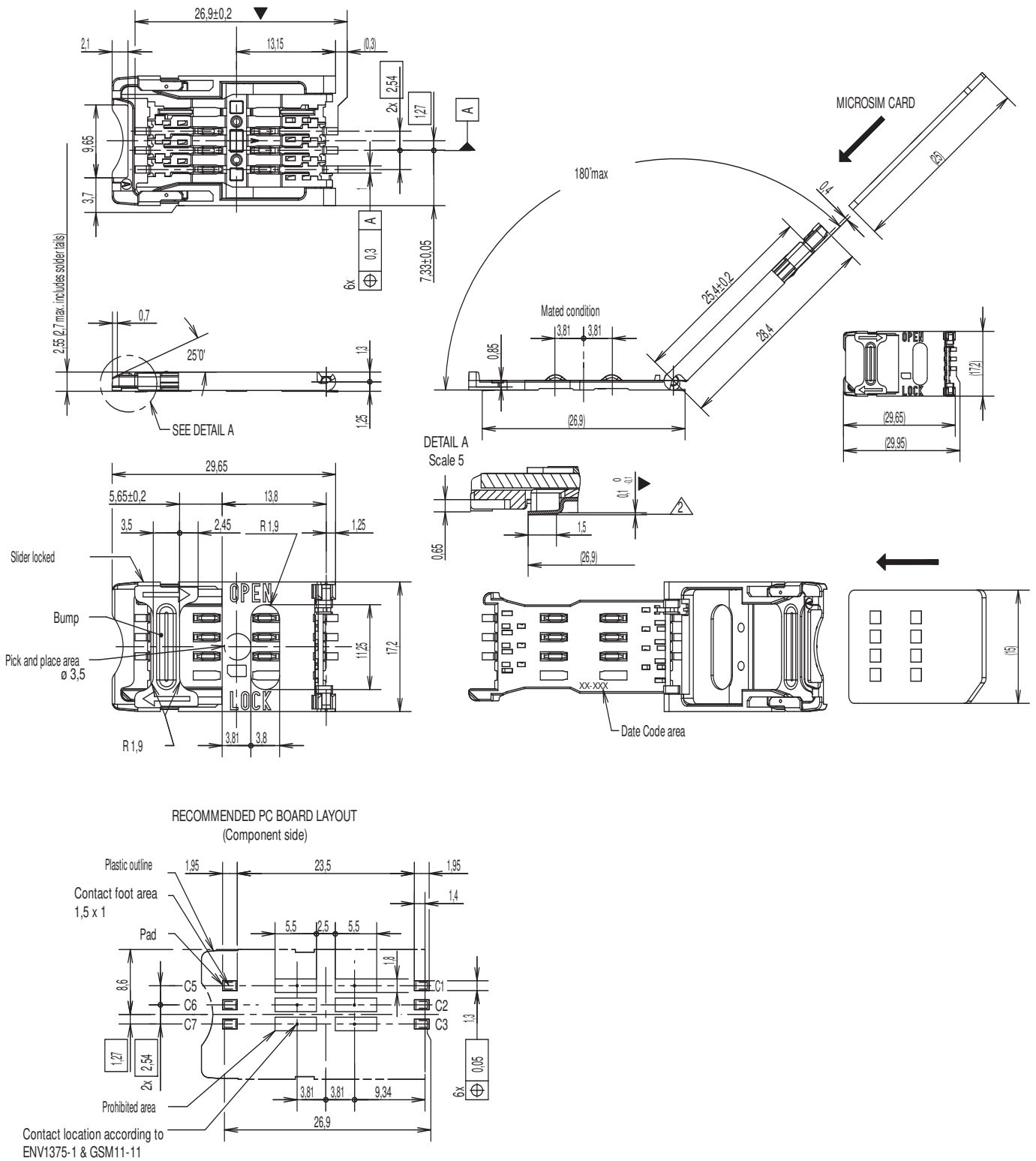
www.ck-components.com



CCM03 MK2 Series

CCM03-3512 LFT

SIM/SAM



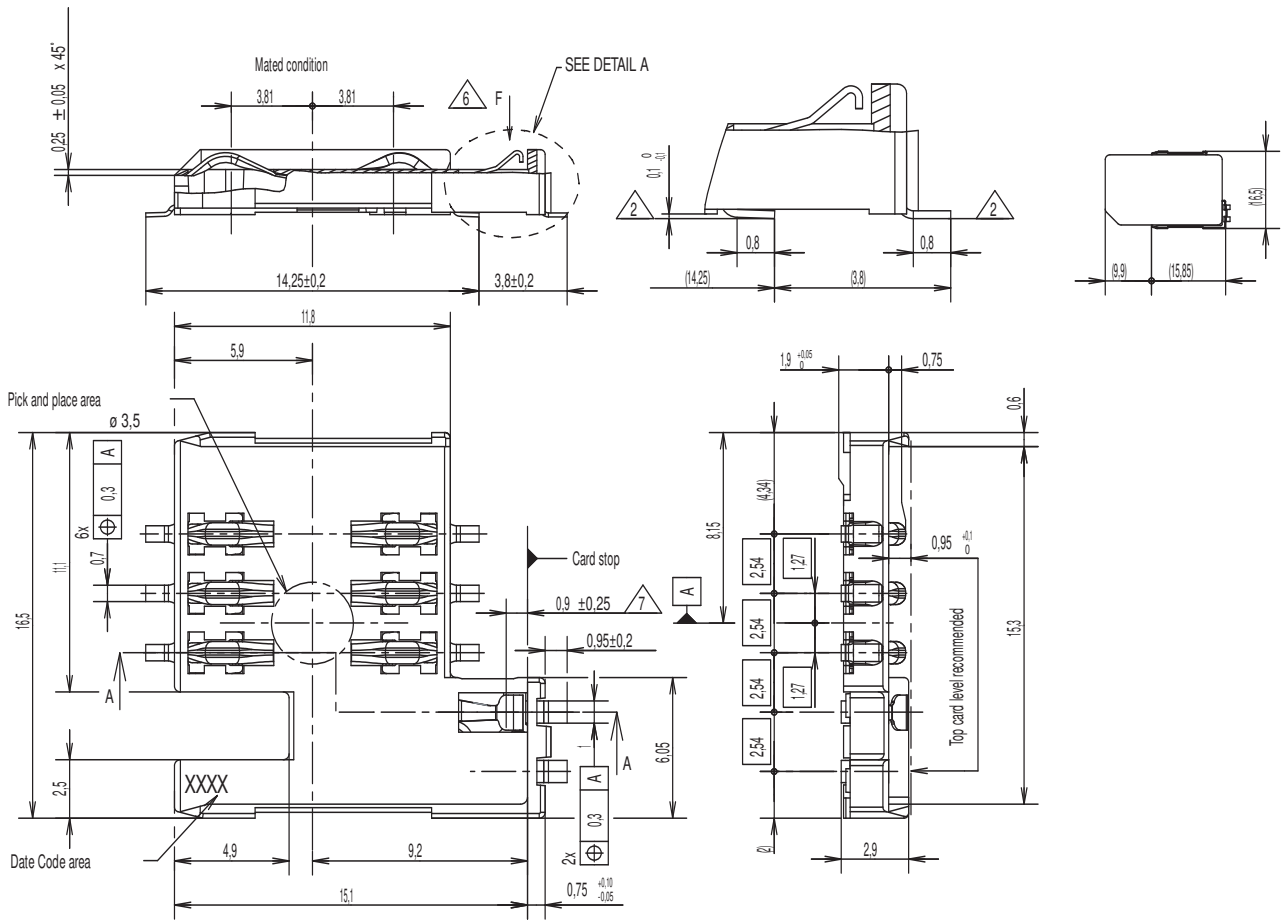
Dimensions are shown in mm
Specifications and dimensions subject to change

www.ck-components.com

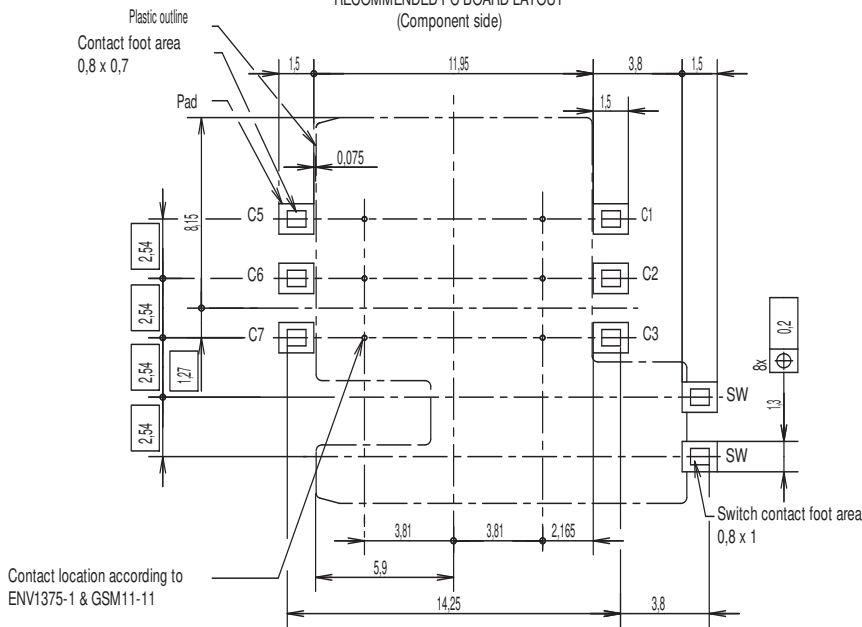


CCM03 MK2 Series

CCM03-3764 LFT



RECOMMENDED PC BOARD LAYOUT
(Component side)



Dimensions are shown in mm
Specifications and dimensions subject to change

www.ck-components.com

SIM/SAM



CCM04 MK3 Series



Features

- **SIM and SAM card acceptance**
- **Compatible with pick and place and lead free soldering**

Typical Applications

- **Mobile**
- **POS**
- **Identification**
- **GPS**

Mechanical

| | |
|--------------------------|---|
| Number of contacts | 6 or 8 |
| Mechanical life | 30,000 cycles |
| Card insertion force | 10N max |
| Card extraction force | 1N min / 10N max |
| Contact force | 0,35N min to 0,65N |
| Vibration Frequency | 10 to 500 Hz. Acceleration 50m/s ² Duration 6 hours - amplitude 0,35mm |
| Shock | Peak value 500 m/s ² – Duration 11 ms 3 shocks in each direction of each axis |
| Max elect. discontinuity | 1µs |

Packaging

See table below

Soldering Process

Compatible with lead free SMT soldering process

Contact Electrical Data

| | |
|------------------------|---------------------|
| Insulation resistance | 1000 MΩ min |
| Contact resistance max | 100 mΩ max |
| Switching current | 10 µA min / 1 A max |
| Dielectric strength | 750 Vrms min |

Environmental Data

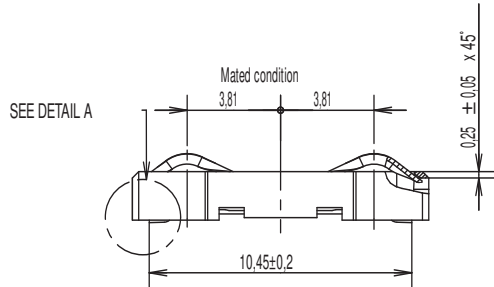
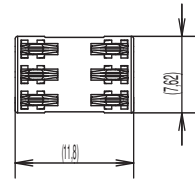
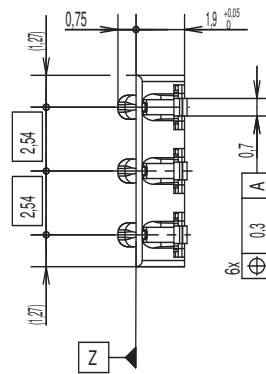
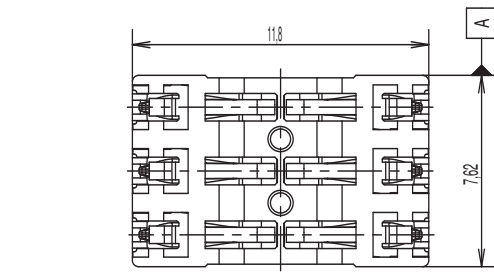
| | |
|-----------------------|------------------------------------|
| Operating temperature | -40°C to +85°C |
| Salt mist | IEC 512 test number 11f (96 hours) |
| Damp heat | IEC 512 test number 11c (10 days) |
| RoHS compliant | |

SIM/SAM

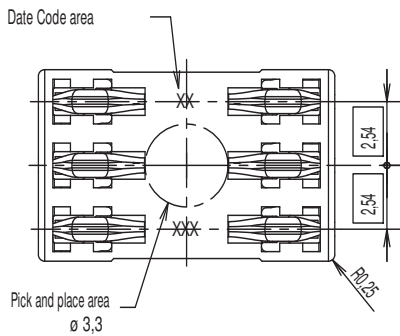
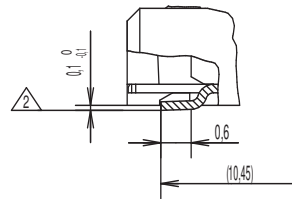
| Designation | # of Contacts | Contact Plating | PCB Version | Height (mm) | Dim. (mm) | Packaging |
|---------------|---------------|-----------------|-------------|-------------|--------------|--------------------|
| CCM04-5137LFS | 6 | gold | SMT IN | 1,9 | 8,15 X 10,45 | reels of 1,900 pcs |

CCM04 MK3 Series

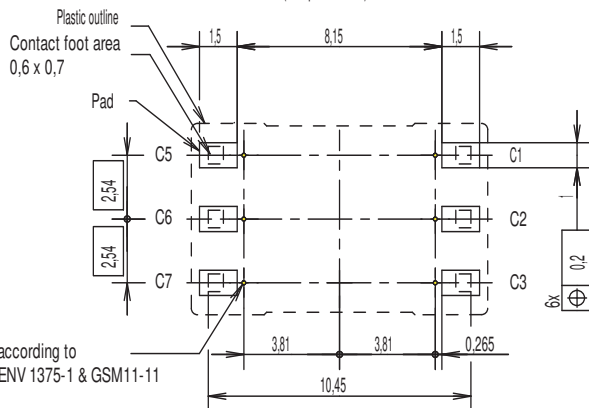
CCM04-5137 LFS



DETAIL A
Scale 10



RECOMMENDED PC BOARD LAYOUT
(Component side)



Dimensions are shown in mm
Specifications and dimensions subject to change

www.ck-components.com

SIM/SAM

