



Chipsmall Limited consists of a professional team with an average of over 10 year of expertise in the distribution of electronic components. Based in Hongkong, we have already established firm and mutual-benefit business relationships with customers from,Europe,America and south Asia,supplying obsolete and hard-to-find components to meet their specific needs.

With the principle of “Quality Parts,Customers Priority,Honest Operation,and Considerate Service”,our business mainly focus on the distribution of electronic components. Line cards we deal with include Microchip,ALPS,ROHM,Xilinx,Pulse,ON,Everlight and Freescale. Main products comprise IC,Modules,Potentiometer,IC Socket,Relay,Connector.Our parts cover such applications as commercial,industrial, and automotives areas.

We are looking forward to setting up business relationship with you and hope to provide you with the best service and solution. Let us make a better world for our industry!



Contact us

Tel: +86-755-8981 8866 Fax: +86-755-8427 6832

Email & Skype: info@chipsmall.com Web: www.chipsmall.com

Address: A1208, Overseas Decoration Building, #122 Zhenhua RD., Futian, Shenzhen, China



CCM04 MK III Miniature Connectors



Introducing a new range of CCM04 connectors designed to interface with either full or SIM/SAM smart cards and designed to minimize space usage on the PCB .

Features

- Available with 6 or 8 contacts.
- The contact area is spooned to reduce the risk of accidental (or deliberate) damage and to optimize the electrical connection with the card.
- The insulators, molded from high temperature thermoplastic, are suited for infrared and convection soldering processes.
- With tape and reel packaging as standard, the connectors are designed to be automatically pick and placed.

Construction

Insulator	High temperature thermoplastic UL 94V-0
Contacts	Copper Alloy
Contact finish	Gold over nickel
PC Tail plating	Tin lead (2 μ m min)

Mechanical Data

Mechanical life	50,000 cycles minimum
Contact force	0.25 N min / 0.5 N max
Contact travel	0,75mm

Electrical Contacts Data

Insulation resistance	1000 M Ω min
Contact resistance max	100 m Ω max
Switching current	10 μ A min / 1 A max
Dielectric strength	500 Vrms min

Environmental Data

Operating temperature	-40° C to 85° C
Soldering temperature	Temperature/time profile acc. to CECC00802 para. 6.1, Fig. 3 with peak temperature
Salt mist	IEC 512 test number 11f (96 days)
Damp heat	IEC 512 test number 11c (10 days)

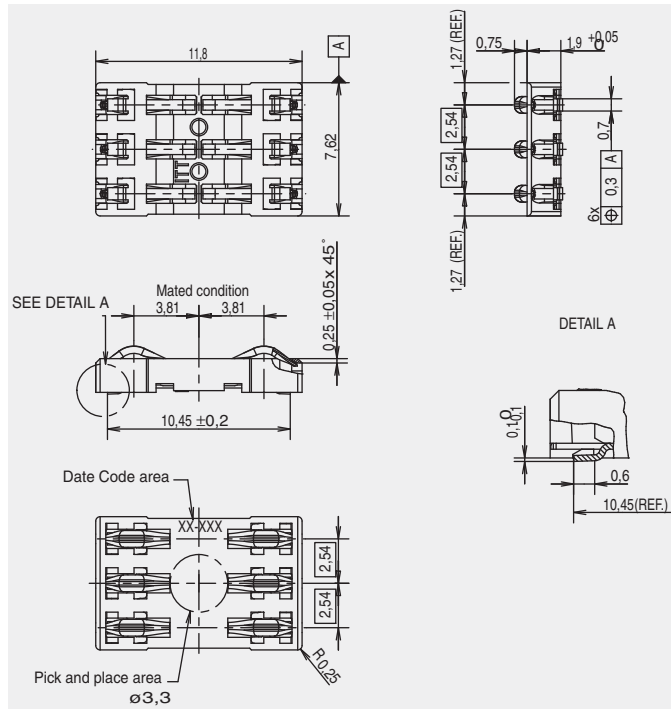
Packaging

8 reels per box. See part number table for other packaging details.

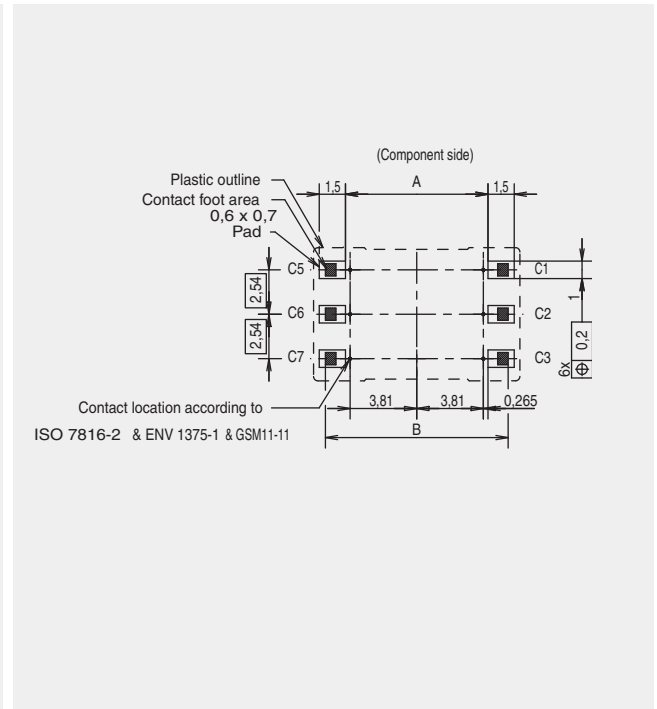
6 Contacts Versions

Part Number	Total Height	Total Length	Terminal Design	Quantity per Reel	Packaging Code	Dimension A	Dimension B
CCM04-5137	1,90	11,8	SMT IN	2400	R242	8,15	10,45
CCM04-5111	1,90	14,3	SMT OUT	2400	R242	12,85	15,15
CCM04-5116	2,10	11,8	SMT IN	1900	R192	8,35	10,65
CCM04-5112	2,10	14,3	SMT OUT	1900	R192	11,95	14,25
CCM04-5120	2,40	14,3	SMT OUT	1900	R192	11,95	14,25
CCM04-5106	2,50	11,8	SMT IN	1900	R192	8,85	11,15
CCM04-5121	2,65	14,3	SMT OUT	1900	R192	11,95	14,25
CCM04-5115	2,80	11,8	SMT IN	1900	R192	8,65	10,95
CCM04-5122	2,90	14,3	SMT OUT	1600	R162	11,95	14,25
CCM04-5107	3,15	11,8	SMT IN	1900	R192	8,85	11,15

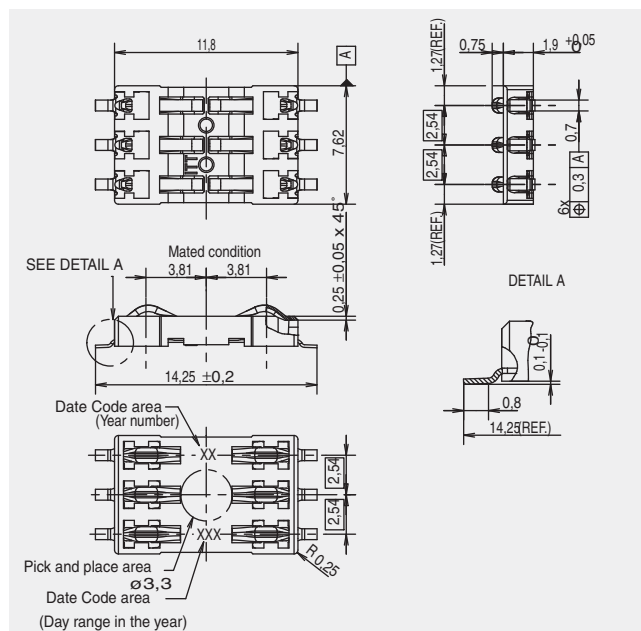
2 x 3 contacts SMT IN - Dimensional Drawings



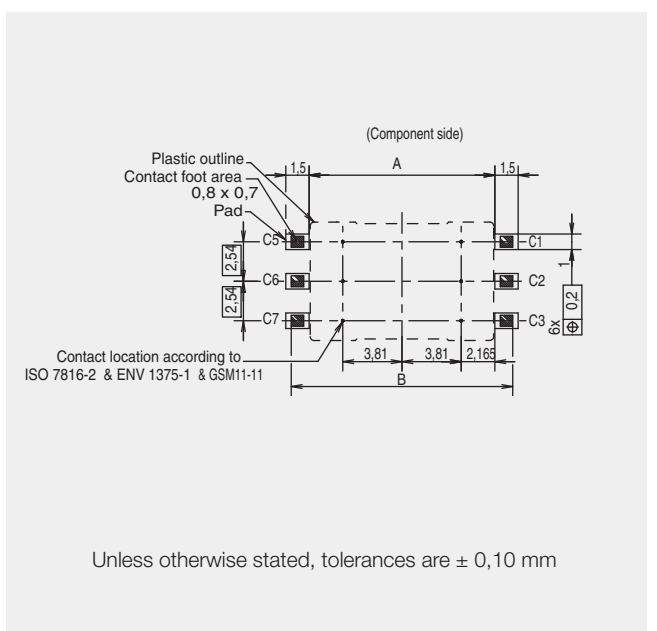
PCB Layout



2 x 3 contacts SMT OUT - Dimensional Drawings



PCB Layout



Unless otherwise stated, tolerances are ± 0,10 mm

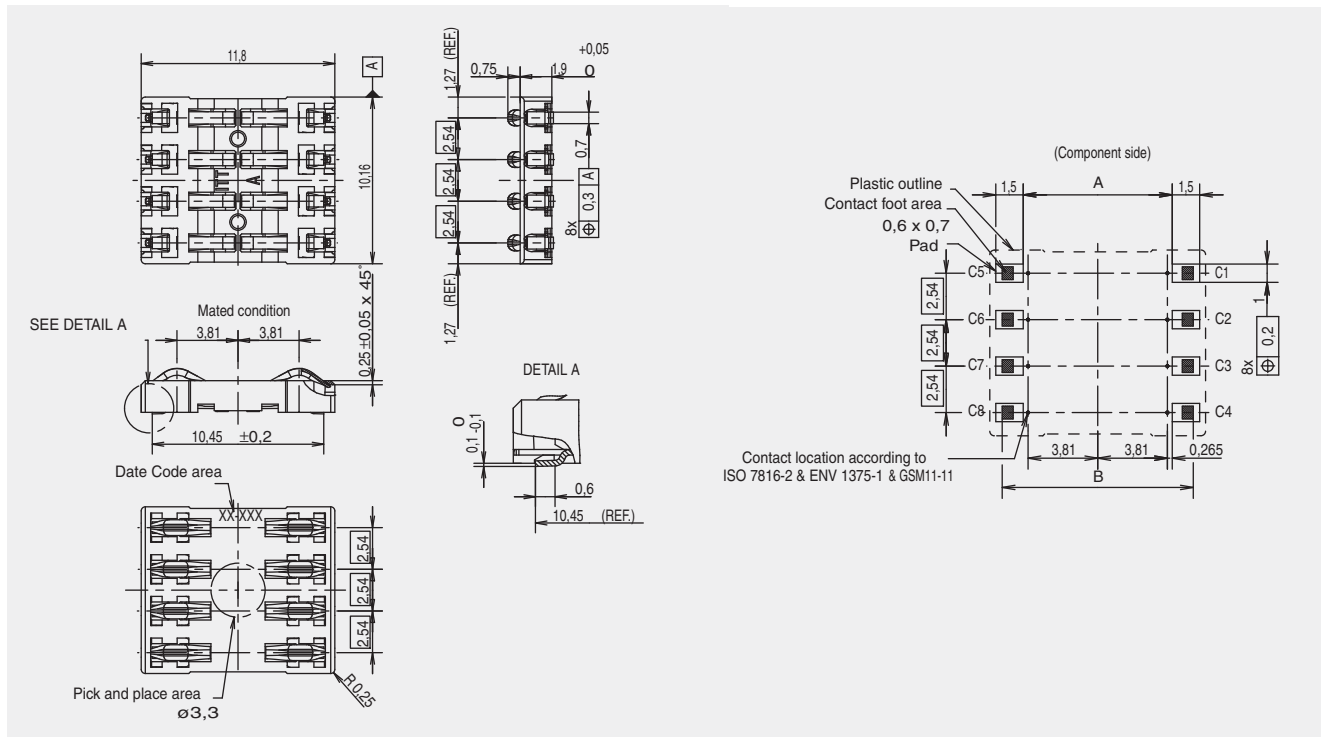
CCM04 MK III

8 Contacts Versions

Part Number	Total Height	Total Length	Terminal Design	Quantity per Reel	Packaging Code	Dimension A	Dimension B
CCM04-5123	1,90	11,8	SMT IN	2400	R242	8,15	10,45
CCM04-5129	1,90	14,3	SMT OUT	2400	R242	11,95	14,25
CCM04-5113	2,10	11,8	SMT IN	1900	R192	8,35	10,65
CCM04-5130	2,10	14,3	SMT OUT	1900	R192	11,95	14,25
CCM04-5131	2,40	14,3	SMT OUT	1900	R192	11,95	14,25
CCM04-5125	2,50	11,8	SMT IN	1900	R192	8,85	11,15
CCM04-5132	2,65	14,3	SMT OUT	1900	R192	11,95	14,25
CCM04-5127	2,80	11,8	SMT IN	1900	R192	8,65	10,95

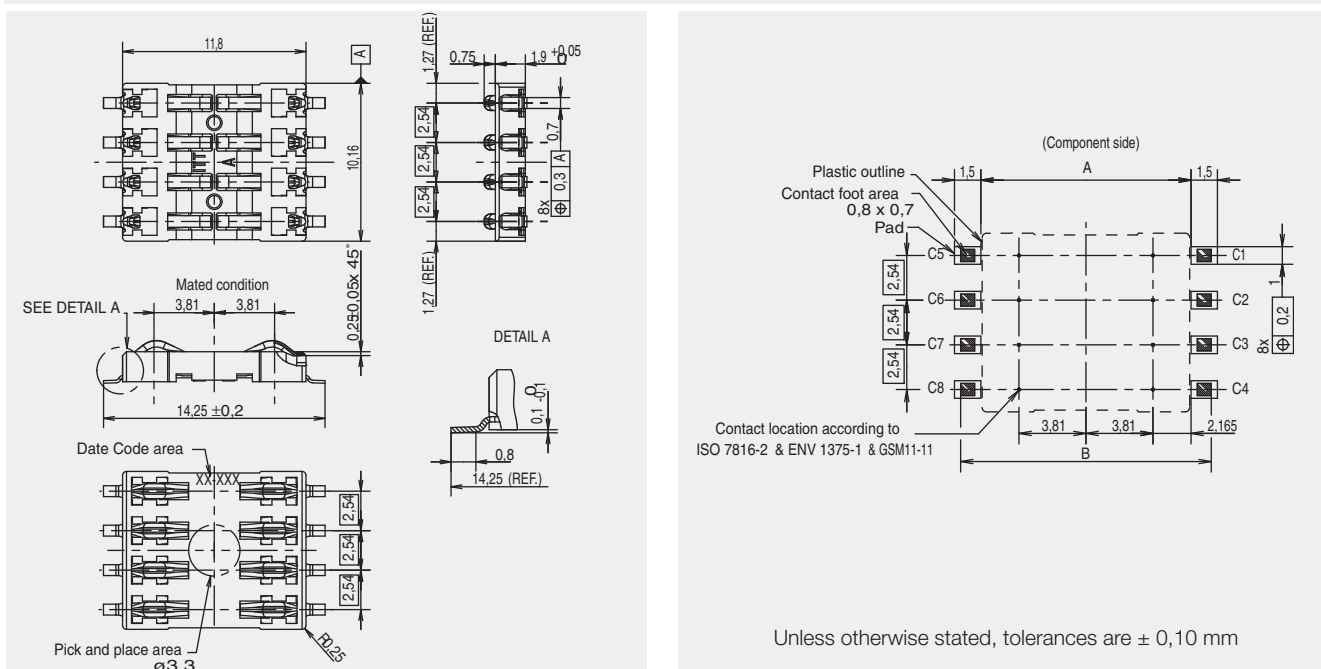
2 x 4 contacts SMT IN - Dimensional Drawings

PCB Layout



2 x 4 contacts SMT OUT - Dimensional Drawings

PCB Layout



Unless otherwise stated, tolerances are $\pm 0,10$ mm



Dimensions are shown in mm
Specifications and dimensions subject to change

www.ck-components.com