



Chipsmall Limited consists of a professional team with an average of over 10 year of expertise in the distribution of electronic components. Based in Hongkong, we have already established firm and mutual-benefit business relationships with customers from,Europe,America and south Asia,supplying obsolete and hard-to-find components to meet their specific needs.

With the principle of "Quality Parts,Customers Priority,Honest Operation,and Considerate Service",our business mainly focus on the distribution of electronic components. Line cards we deal with include Microchip,ALPS,ROHM,Xilinx,Pulse,ON,Everlight and Freescale. Main products comprise IC,Modules,Potentiometer,IC Socket,Relay,Connector.Our parts cover such applications as commercial,industrial, and automotives areas.

We are looking forward to setting up business relationship with you and hope to provide you with the best service and solution. Let us make a better world for our industry!



## Contact us

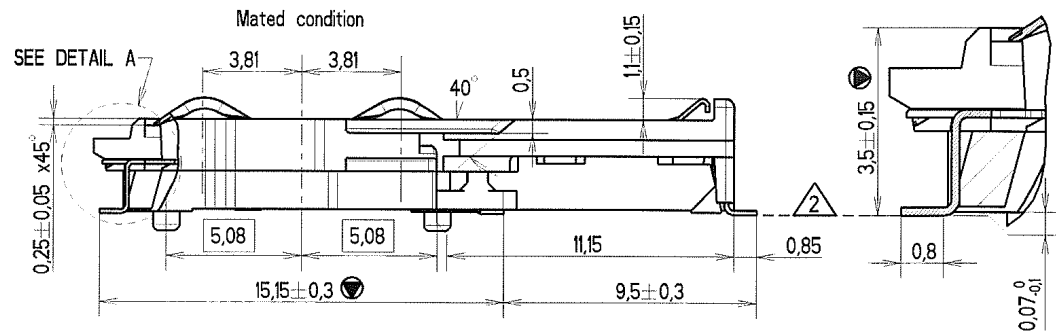
Tel: +86-755-8981 8866 Fax: +86-755-8427 6832

Email & Skype: info@chipsmall.com Web: www.chipsmall.com

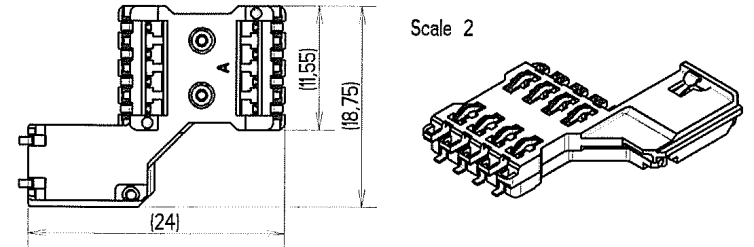
Address: A1208, Overseas Decoration Building, #122 Zhenhua RD., Futian, Shenzhen, China



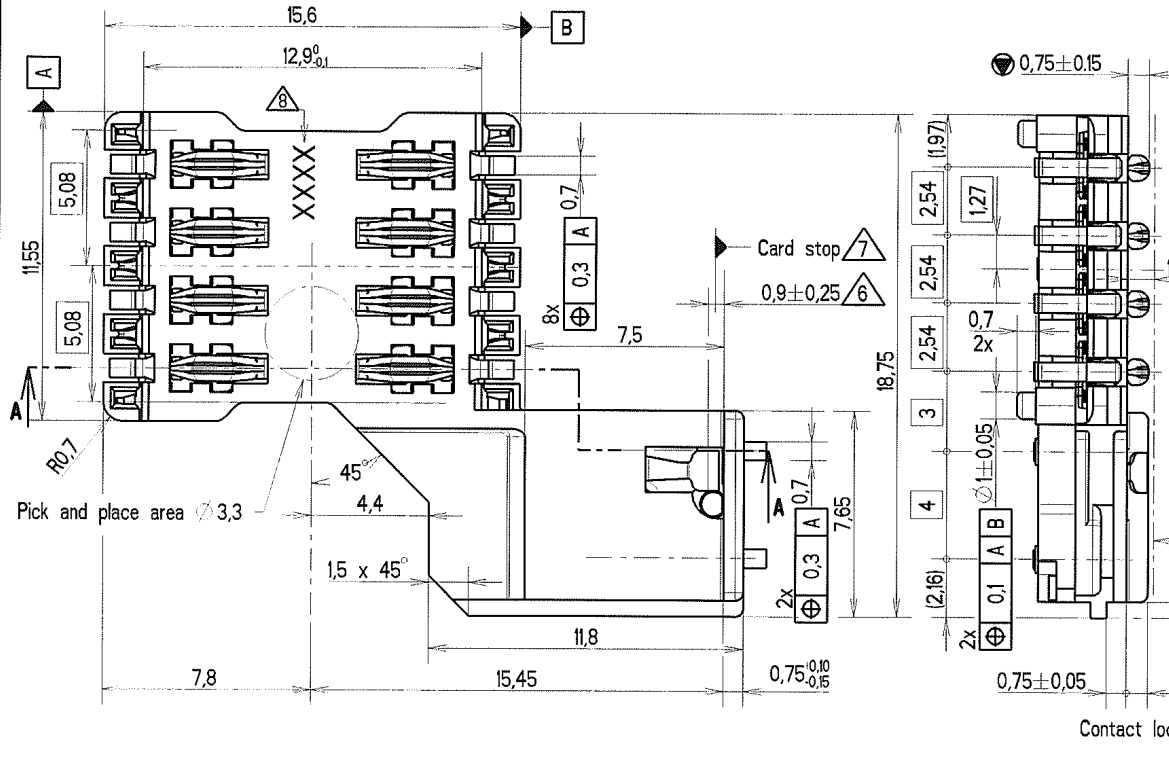
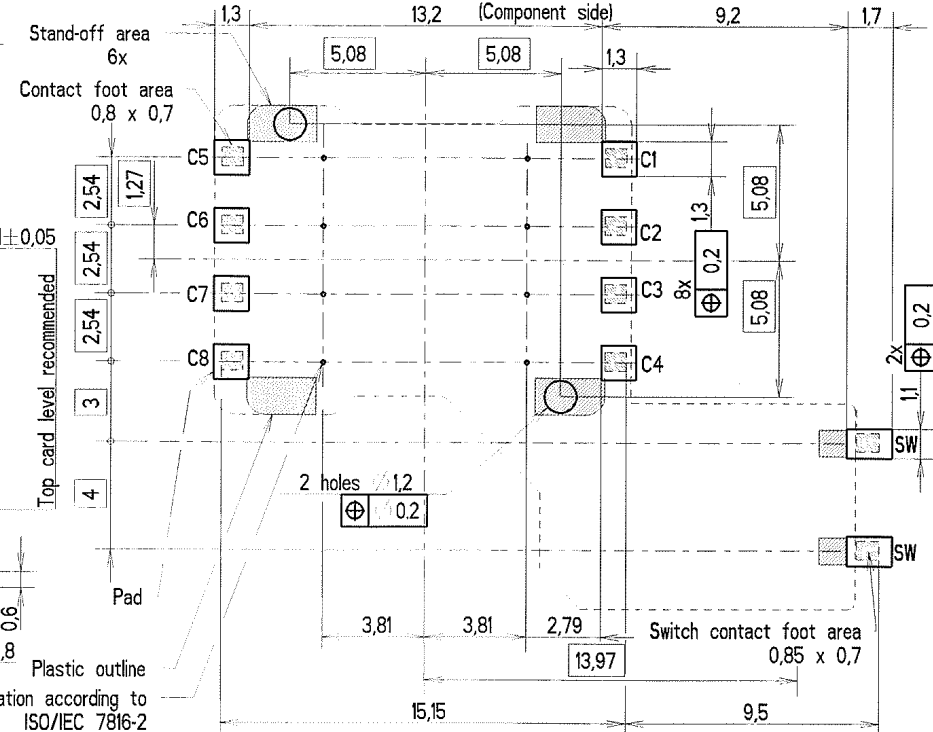
REV.	N° DCR	NATURE DE LA MODIFICATION	DATE	VISA
A	ECR-1569	1 ± 0.05 → 1.1 ± 0.05 (D2) ; SPC dimensions added	09/11/2007	V.P
B	ECR-3753	PCF update	20-04-2009	D.F



DETAIL A  
SCALE 10



RECOMMENDED PC BOARD LAYOUT  
13.2 (Component side)



SYSTEM CONFIDENTIAL

- Notes :
- 1 - Termination to PCB : SMT reflow soldering. Temperature/time profile according to C&K PS-LF-001 specification.
  - 2 - Coplanarity of metal soldering surfaces : 0,1 mm.
  - 3 - Recommendation for solder paste thickness > 0,2 mm.
  - 4 - 2,5 microns min tin plating on contact terminal areas and 0,1 microns min gold plating on switch terminal areas.
  - 5 - Contact forces :
    - max 0,70 N per contact at 0,2 from Card seating area.
    - min 0,40 N per contact at 0,2 from Card seating area.

- 6 - Card end travel switch NO activates when the sliding card is 0,9 mm from card stop.
- 7 - Another mechanical stop should be placed along the rear side of the connector to increase the strength of the card stop.
- 8 - Date Code area : Year (X) / Week (XX) and Day range in the week (X).
- 9 - For packaging on tape and reel, see document : cu 030287Y001

MATIERE	TRAITEMENT	PROTECTION
SAUF INDIQUE : COTES DONNEES AVANT PROTECTION BAVURES ET ARETES VIVES SUPPRIMEES	TOL LINEAIRE ± 0,2 TOL ANGULAIRE ± 2° ETAT DE SURFACE Ra	DIMENSIONS CRITIQUES 1 DIMENSIONS SPC 4 LANGAGE E
DESSINE PAILLE V. DATE 31/08/2007	ANALYSE N TAB. FAM. Y PROVE Y	REPLACE ET 689 003 FP revA
VERIFIE PINON G. DATE 20/04/2009	REPRODUCTION	DESIGNATION
APPROUVE KUBAT L. DATE 06/14/19	PROJECTION 1ER DIEDRE	CCM04-5458LFT SPACER 3,5 mm ± 2 Pegs
G&K C&K Components	ECHELLE 5,000	NUMERO 1144MIY5458
BP 359 - 39105 Dole - FRANCE -	TAILLE FEUILLE A3 1 / 1	REV B

CE PLAN EST LA PROPRIETE DE C&K COMPONENTS SAS ET NE PEUT ETRE REPRODUIT OU COMMUNIQUE SANS SON AUTORISATION