



Chipsmall Limited consists of a professional team with an average of over 10 year of expertise in the distribution of electronic components. Based in Hongkong, we have already established firm and mutual-benefit business relationships with customers from,Europe,America and south Asia,supplying obsolete and hard-to-find components to meet their specific needs.

With the principle of “Quality Parts,Customers Priority,Honest Operation,and Considerate Service”,our business mainly focus on the distribution of electronic components. Line cards we deal with include Microchip,ALPS,ROHM,Xilinx,Pulse,ON,Everlight and Freescale. Main products comprise IC,Modules,Potentiometer,IC Socket,Relay,Connector.Our parts cover such applications as commercial,industrial, and automotives areas.

We are looking forward to setting up business relationship with you and hope to provide you with the best service and solution. Let us make a better world for our industry!



Contact us

Tel: +86-755-8981 8866 Fax: +86-755-8427 6832

Email & Skype: info@chipsmall.com Web: www.chipsmall.com

Address: A1208, Overseas Decoration Building, #122 Zhenhua RD., Futian, Shenzhen, China



Compact Circuit Protector (CCP)

UL Class CC, CF (CUBEFuse™), midget and IEC 10x38mm
DIN-Rail fused disconnect switches



Contents

Description	Page	Description	Page
1-, 2- and 3-pole — Class CC, Midget, 10x38mm		Auxiliary contacts	
Description and specifications	2-3	Description and specifications	8
Available fuses	3	Dimensions	8
Recommended lockout devices	3	PLC fuse monitor	
Dimensions	3	Description and specifications	9
Motor sizing table	4	Wiring schematic	10
1-, 2- and 3-pole — Class CF		Connections	10
Description and specifications	5-6	Dimensions	11
Available fuses	6		
Recommended lockout devices	6		
Dimensions	6		
Motor sizing tables	7		

1-, 2- and 3-pole — Class CC, midget, 10x38mm

Description:

The revolutionary Bussmann series Compact Circuit Protector (CCP) fused disconnect switch is 2/3 the footprint of a traditional fusible switch and can provide up to a high 200 kA SCCR that can help improve assembly SCCR.

Specifications:

Ratings

- Volts
 - 600 Vac (Class CC)
 - 240 Vac (midget UL®)
 - 400 Vac (midget International Electrotechnical Commission (IEC))
 - 80Vdc (DC Class CC/UL, DC midget/IEC)
- Amps
 - 30A (UL)
 - 32A (IEC)
- SCCR
 - 200 kA (Class CC)
 - 10 kA (midget UL)
 - 120 kA (midget IEC max)
 - 20 kA (DC Class CC/UL)
 - 10 kA (DC midget/IEC)

Poles

- 1-, 2- and 3-pole versions

Agency information

- CE
- RoHS compliant
- For Class CC fuse versions
 - UL 98 Listed, File E302370, Guide WHTY
 - cULus to CSA Standard 22.2 No. 4-04, File 302370, Guide WHTY7
- For UL midget and 10X38 IEC fuse versions
 - UL 508 Listed, File E320230, Guide NRNT
 - cULus Certified 22.2 No. 14-05
 - IEC 60947-3 AC23A
 - IEC 60947-3 DC23A

Conductors 75°C Cu or higher

- Single/dual 18-6AWG solid or stranded
- Single 4AWG solid or stranded

Terminals

- Single/dual conductor box lug or fork terminal suitable for line, load or accessory connection

Torque

- 18-10AWG 20 Lb-In
- 8-4AWG 35 Lb-In



1-Pole DC CCP

Storage and operating temperature

- -20°C to 75°C*

* For fuse performance under or above 25°C, consult fuse performance derating charts in the Bussmann Division publication titled Selecting Protective Devices (SPD), data sheet No. 3002.

Flammability rating

- UL 94V0

Lockout/tagout provisions

- 4mm shank lock or Brady pin-out device part number 90850

Mounting

- 35mm DIN-Rail

Local open fuse indication minimum voltage**

- 90 Vac for AC versions
- 12Vdc for DC versions

** Open fuse indication requires an open fuse to be in the CCP and the switch in the ON position.

Accessories

- Auxiliary contacts
- PLC wired remote fuse indication

Shipping weight

- 2.84 lbs (1.29 kg) per carton

Carton quantity

- 12 poles

Features:

- Extremely compact design at 17.5mm wide per pole
- High Short-Circuit Current Ratings (SCCR) up to 200 kA (UL) and 120 kA (IEC)
- Disconnect rated to provide means for load isolation
- Full voltage rated up to 600 Vac or 80Vdc
- Class CC version is UL 98 Listed and horsepower rated, and suitable for branch circuit disconnect and branch circuit protection
- IEC 10x38 version complies with IEC 60947-3 and suitable for branch circuit disconnect and branch circuit protection
- Suitable for global installations, the units comply with UL, cULus, and IEC standards accepting UL Class CC, midget or IEC aM and gG/gL fuses
- Open fuse indication:
 - Local fuse indication lights are standard
 - Optional wired remote open fuse indication can be utilized to signal a PLC and open a contactor to de-energize all phases, if required
- IP20 finger-safe with 10AWG (6mm²) or larger wire
- Built-in switch interlock prohibits removing the fuse under load
- Padlockable handle for lockout/tagout procedures - recommend using Brady pin-out device part number 90850

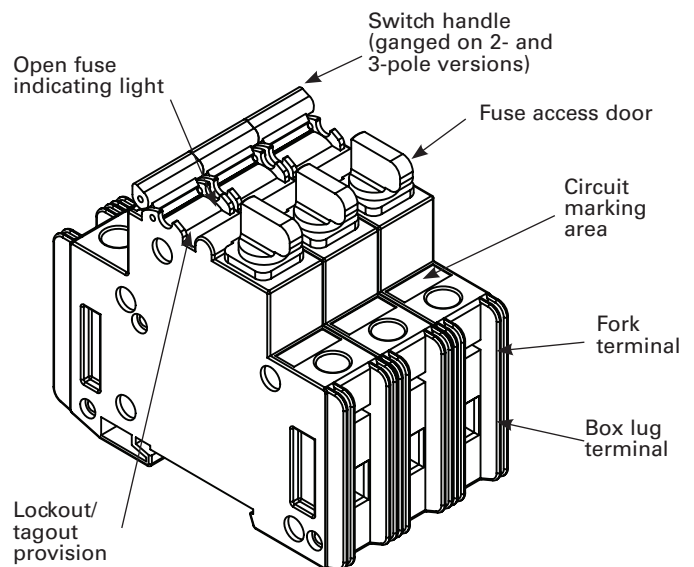
Catalog numbers:

Amp rating	Fuse class	No. of poles	Volts	SCCR	Max horsepower rating (Vac)				Wire size/ (torque*)	Wire type	Catalog no.	Agency information
					120	240	480	600				
30	CC	1	600 Vac	200 kA	0.5	—	—	—		CCP-1-30CC	UL 98 Listed, cULus 22.2, No. 4-04	
30	CC	2	600 Vac	200 kA	—	2	—	—		CCP-2-30CC	UL 98 Listed, cULus 22.2, No. 4-04	
30	CC	3	600 Vac	200 kA	—	3	5	7.5		CCP-3-30CC	UL 98 Listed, cULus 22.2, No. 4-04	
30	UL Midget		240 Vac†	10 kA†							UL 508 Listed, cULus 22.2, No. 14-05	
32**	10x38 IEC	1	400 Vac†	120 kA†	—	—	—	—	Single/Dual 18-6AWG Sol/Str	CCP-1-30M	IEC 60947-3, AC-23A	
30	UL Midget		240 Vac†	10 kA†							UL 508 Listed, cULus 22.2, No. 14-05	
32**	10x38 IEC	2	400 Vac†	120 kA†	—	—	—	—	Single 4AWG Sol/Str	CCP-2-30M	IEC 60947-3, AC-23A	
30	UL Midget		240 Vac†	10 kA†							UL 508 Listed, cULus 22.2, No. 14-05	
32**	10x38 IEC	3	400 Vac†	120 kA†	—	—	—	—	Spade Terminal††	CCP-3-30M	IEC 60947-3, AC-23A	
30	CC	1	80Vdc†	20 kA†	—	—	—	—		CCP-1-DCC	UL 98 Listed, CSA 22.2, No. 4-04	
30	UL Midget		80Vdc†	10 kA†	—	—	—	—			UL 508 Listed, cULus 22.2, No. 14-05	
32**	10x38 IEC		80Vdc†	10 kA†	—	—	—	—		CCP-1-DCM	IEC 60947-3, DC-23A	

* 18-10AWG; 20 Lb-In, 8-4AWG; 35 Lb-In.
 ** 32A Class aM, 25A Class gG.
 † SCCR May be lower, refer to installed fuse data sheets.
 †† Fork terminal with a 4.3mm gap for a #8-32 stud, 30A max, insulated flange, wire size 12-10AWG.

Available Bussmann series fuses:

Fuse class	Type/description	Volts	Data sheet no.
CC	LP-CC time-delay, current limiting	600 Vac/300Vdc	1023
CC	FNQ-R time-delay	600 Vac/300Vdc	1014
CC	KTK-R fast-acting	600 Vac	1015
M	FNM time-delay	250 Vac	2028
M	FNQ time-delay	500 Vac	1012
M	KTK fast-acting	600 Vac	1011
M	BAF fast-acting	250 Vac	2011
M	KLM fast-acting	600 Vac/dc	2020
gG/gL	C10G	500V (400V@32A)	720115
aM	C10M	500V (400V@20@25A)	720115

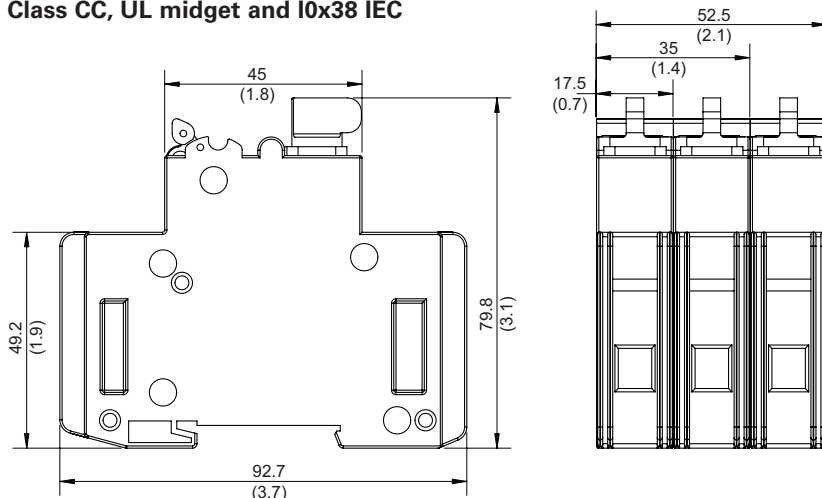


Recommended lockout device:

CCP version	Brady pin-out device P/N
Class CC, midget, IEC 10x38	90850

Dimensions – mm (in)

Class CC, UL midget and I0x38 IEC



Motor sizing table:

LP-CC time-delay Class CC fuses

Voltage	Motor size (Hp)	Motor FLA (amps)	Min (amps)	Code max (amps)	Heavy start (amps)
115 Vac, 1-phase	0.167	4.4	9	15	15
	0.25	5.8	12	20	20
	0.33	7.2	15	25	25
	0.50	9.8	30	30	30
230 Vac, 1-phase	0.17	2.2	4.5	10	10
	0.25	2.9	6	10	10
	0.33	3.6	7	15	15
	0.50	4.9	10	15	15
	0.75	6.9	15	25	25
200 Vac, 3-phase	1	8	25	25	30
	1.5	10	30	30	30
	0.50	2.5	5	10	10
	0.75	3.7	7.5	15	15
	1	4.8	10	15	15
208 Vac, 3-phase	1.5	6.9	15	25	25
	2	7.8	25	25	30
	0.50	2.4	5	10	10
	0.75	3.5	7	15	15
230 Vac, 3-phase	1	4.6	10	15	15
	1.5	6.6	15	20	25
	2	7.5	15	25	30
	0.50	2.2	4.5	10	10
460 Vac, 3-phase	0.75	3.2	7	10	12
	1	4.2	9	15	15
	1.5	6	12	20	20
	2	6.8	15	25	25
	3	9.6	30	30	30
575 Vac, 3-phase	0.50	1.1	2.25	6	6
	0.75	1.6	3.2	6	6.25
	1	2.1	4.5	10	10
	1.5	3	6	10	12
	2	3.4	7	15	15
575 Vac, 3-phase	3.00	4.8	10	15	15
	5.00	7.6	25	25	30
	0.50	0.9	1.8	3	3.5
	0.75	1.3	2.8	6	6
	1	1.7	3.5	6	6.25
	1.5	2.4	5	10	10
	2	2.7	5.6	10	10
3.00	3.9	8	15	15	
575 Vac, 3-phase	5.00	6.1	15	20	20
	7.50	9	30	30	30

Note: NEMA motors only (no IEC or design B energy efficient). Minimum size if no more than 1 start/hour. Code max if low to moderate reverse/jog/plug applications.

Heavy start permitted only if code max does not allow motor start-up. For high reverse/jog/plug applications or larger horsepower motors, Bussmann series Class CF (Class J electrical performance) fuses are recommended. See CCP_CF with CUBEFuse™.

1-, 2- and 3-Pole — Class CF

Description:

The revolutionary Bussmann series Compact Circuit Protector (CCP) fused disconnect switch with CUBEFuse™ is 2/3 the footprint of a traditional fusible switch and provides a high 200 kA SCCR that can help increase assembly SCCR.

Specifications:

Ratings

Volts

- 600 Vac
- 125Vdc (up to 80A max)

Amps

- 30, 60, 100A

SCCR

- 200 kA AC
- 100 kA DC (up to 80A max)

Poles

- 1-, 2-, 3-pole

Agency information

- UL 98 Listed, File E302370, Guide WHTY
- cULus to CSA Standard 22.2 No. 4-04, File 302370, Guide WHTY7
- CE
- RoHS compliant

Conductors 75°C Cu or higher

- 30 to 60A CCPs: - Single/dual 18-6AWG solid or stranded
- Single 4AWG solid or stranded
- 100A CCPs - Single 10-8AWG solid
- Single 8-1AWG stranded
- Dual 6AWG stranded

Terminals

- Single/dual conductor box lug or fork terminal suitable for line, load or accessory connection
- Torque: 0-60A: - 18-10AWG 20 Lb-In
- 8-6AWG 35Lb-In
- 4AWG 35 Lb-In
70-100A: - 18-10AWG single 25 Lb-In
- 8-1AWG single 40 Lb-In
- 6AWG dual 45 Lb-In

Fuses

- Uses finger-safe Class CF Bussmann series CUBEFuse with Class J performance
- Bussmann series Low-Peak™ dual-element, time-delay*
 - Non-indicating 1-100A
 - Indicating 6-100A
- Fast-acting, non-indicating 1-100A**

* See data sheet No. 9000.

**See data sheet No. 2147.



Storage and operating temperature

- -20°C to 75°C***

*** For fuse performance under or above 25°C, consult fuse performance derating charts in the Bussmann Division publication titled Selecting Protective Devices (SPD) No. 3002.

Flammability rating

- UL 94V0

Lockout/tagout provisions

- 4mm shank lock

Mounting

- 35mm DIN-Rail

Local open fuse indication minimum voltage†

- 90V

† Open fuse indication requires an open fuse to be in the CCP and the switch in the ON position.

Accessories

- Auxiliary contacts
- PLC wired remote fuse indication
- Bussmann series CUBEFuse fuse pullers (P/Ns: CFP-30, CFP-60, CFP-100)

Shipping weight

- 2.03 lbs (0.92kg) per carton

Carton quantity

- Six (6) poles

Features:

- Uses Class CF finger-safe fast-acting and time-delay CUBEFuse with Class J electrical performance
- Extremely compact design at 25.4mm (1 inch) wide per pole
- Ampacity rejecting disconnects will not accept Bussmann series CUBEFuse amp ratings greater than switch rating
- High Short-Circuit Current Ratings at 200 kA
- Disconnect rated to provide means for load isolation
- Full voltage rated at 600 Vac
- 125Vdc rated up to 80A max
- UL 98 Listed and suitable for branch circuit disconnect and branch circuit protection
- 1-, 2- and 3-pole versions are horsepower rated
- Complies with UL and CSA
- Open fuse indication:
 - Local fuse indication lights are standard
 - Optional wired remote open fuse indication can be utilized to signal a PLC and open a contactor to de-energize all phases, if required
- Additional open fuse indication can be provided by the Bussmann series CUBEFuse
- IP20 finger-safe construction with 10AWG (6mm²) wire or larger
- Built-in switch interlock capability prohibits removing the fuse under load
- Padlockable handle for lockout/tagout procedures

Catalog numbers:

Amp rating	UL fuse class	No. of poles	Volts	Max horsepower rating (Vac)*				Wire size/ torque**	Wire type	Catalog number	Agency information
				SCCR	120	240	480				
30	CF	1	600 Vac	200 kA	1.5	—	—	—	Single/Dual 18-6AWG Sol/Str	CCP-1-30CF	UL 98 Listed, cULus 22.2, No. 4-04
			125Vdc	100 kA							
30	CF	2	600 Vac	200 kA	—	3	—	—	Single 4AWG Sol/Str	CCP-2-30CF	UL 98 Listed, cULus 22.2, No. 4-04
			125Vdc	100 kA							
30	CF	3	600 Vac	200 kA	—	5	15	10	Single 4AWG Sol/Str	CCP-3-30CF	UL 98 Listed, cULus 22.2, No. 4-04
60	CF	1	600 Vac	200 kA	3	—	—	—	75°C Cu or higher	CCP-1-60CF	UL 98 Listed, cULus 22.2, No. 4-04
			125Vdc††	100 kA							
60	CF	2	600 Vac	200 kA	—	7.5	—	—	Spade Terminal†	CCP-2-60CF	UL 98 Listed, cULus 22.2, No. 4-04
			125Vdc††	100 kA							
60	CF	3	600 Vac	200 kA	—	7.5	20	15	Spade Terminal†	CCP-3-60CF	UL 98 Listed, cULus 22.2, No. 4-04
100	CF	1	600 Vac	200 kA	5	—	—	—	Single 8-10AWG Sol/Str 8-1AWG Str	CCP-1-100CF	UL 98 Listed, cULus 22.2, No. 4-04
			125Vdc†††	100 kA							
100	CF	2	600 Vac	200 kA	—	10	—	—	Dual 6AWG Str	CCP-2-100CF	UL 98 Listed, cULus 22.2, No. 4-04
			125Vdc†††	100 kA							
100	CF	3	600 Vac	200 kA	—	20	50	40	Spade Terminal†	CCP-3-100CF	UL 98 Listed, cULus 22.2, No. 4-04

* With time-delay Bussmann series Low-Peak CUBEFuse.

** 30-60A: 18-10AWG 20 Lb-In, 8-6AWG 35 Lb-In, 4AWG 35 Lb-In, 70-100A: 18-10AWG Single 25 Lb-In, 8-1AWG Single 35 Lb-In, 6AWG Dual 45 Lb-In

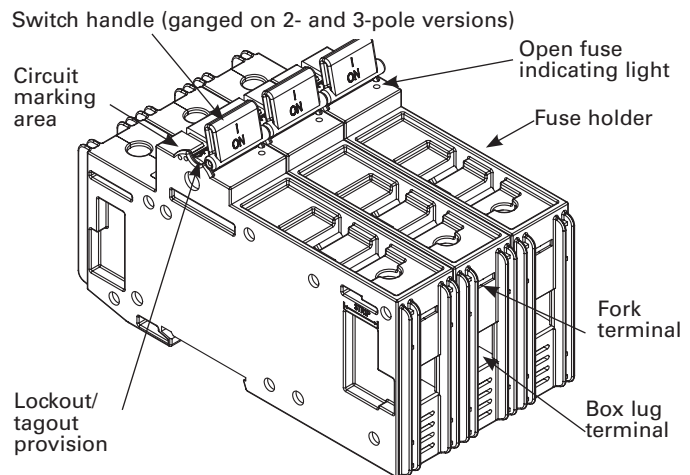
† Fork terminal with a 4.3mm gap for a #8-32 stud, 30A max, insulated flange, wire size 12-10AWG.

†† Up to 40A max.

††† Up to 80A max.

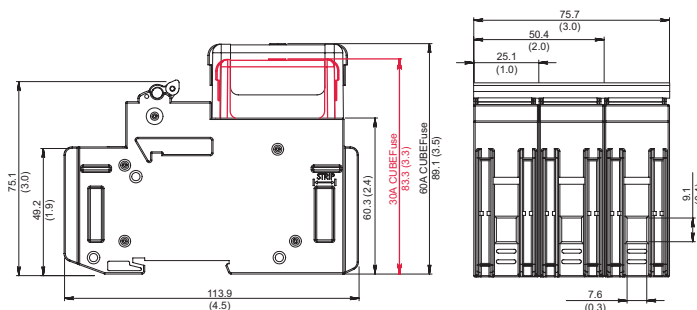
Available Bussmann series fuses:

Fuse class	Type/description	Data sheet No.
CF	Low-Peak time-delay, current limiting 600 Vac/300Vdc	9000
CF	UPS/fast-acting 600 Vac/dc	2147

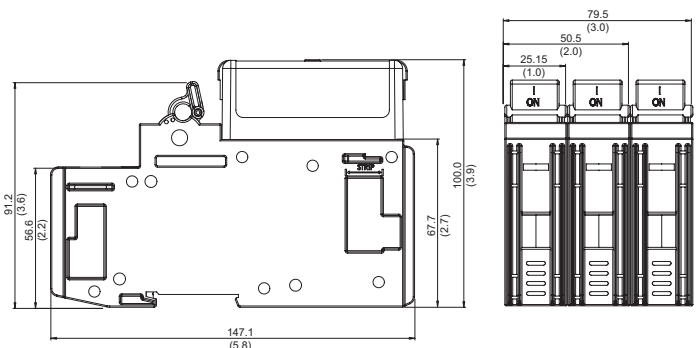


Dimensions – mm (in)

30 and 60A CUBEFuse CCP



100A CUBEFuse CCP



Motor sizing table:

Bussmann series TCF Low-Peak™ time-delay Class CF fuses

Voltage	Motor size (Hp)	Motor FLA (amps)	Optimal protection (amps)	Code max (amps)	Heavy start (amps)
115 Vac, 1-phase	0.167	4.4	10	10	10
	0.25	5.8	10	15	15
	0.333	7.2	15	15	15
	0.5	9.8	15	20	20
	0.75	13.8	25	25	30
	1	16	25	30	35
	1.5	20	30	35	45
	2	24	40	45	50
	3	34	50	60	N/A
	5**	56	90	100	N/A
230 Vac, 1-phase	0.167	2.2	6	6	6
	0.25	2.9	6	6	6
	0.333	3.6	6	10	10
	0.5	4.9	10	10	10
	0.75	6.9	15	15	15
	1	8	15	15	17.5
	1.5	10	15	20	20
	2	12	20	25	25
	3	17	25	30	35
	5	28	45	50	60
7.5	40	60	N/A	N/A	
10**	50	80	90	N/A	
200 Vac, 3-phase	0.5	2.5	6	6	6
	0.75	3.7	6	10	10
	1	4.8	10	10	10
	1.5	6.9	15	15	15
	2	7.8	15	15	17.5
	3	11	17.5	20	20
	5	17.5	30	35	35
	7.5	25.3	40	45	50
	20**	62.1	100	N/A	N/A
	208 Vac, 3-phase	0.5	2.4	6	6
0.75		3.5	6	10	10
1		4.6	10	10	10
1.5		6.6	10	15	15
2		7.5	15	15	15
3		10.6	17.5	20	20
5		16.7	25	30	35
7.5		24.2	40	45	50
20**		59.4	90	N/A	N/A

Voltage	Motor size (Hp)	Motor FLA (amps)	Optimal protection (amps)	Code max (amps)	Heavy start (amps)
230 Vac, 3-phase	0.5	2.2	6	6	6
	0.75	3.2	6	6	6
	1	4.2	10	10	10
	1.5	6	10	15	15
	2	6.8	15	15	15
	3	9.6	15	20	20
	5	15.2	25	30	30
	7.5	22	35	40	45
	20**	54	90	100	N/A
	460 Vac, 3-phase	0.5	1.1	3	3
0.75		1.6	3	3	3
1		2.1	6	6	6
1.5		3	6	6	6
2		3.4	6	6	6
3		4.8	10	10	10
5		7.6	15	15	15
7.5		11	17.5	20	20
10		14	25	25	30
15		21	35	40	45
20	27	40	50	60	
50**	65	100	N/A	N/A	
575 Vac, 3-phase	0.5	0.9	3	3	3
	0.75	1.3	3	3	3
	1	1.7	3	3	3
	1.5	2.4	6	6	6
	2	2.7	6	6	6
	3	3.9	6	10	10
	5	6.1	10	15	15
	7.5	9	15	20	20
	10	11	17.5	20	20
	40**	41	70	80	80

Note: Use Code Max column for low to moderate reverse/jog/plug applications.

*Heavy Start permitted only if Code Max does not allow motor start-up.

Based on motor FLA from NEC® tables 430.248 and 430.250.

Auxiliary Contacts:

Description:

NO+NC contact output to indicate the status of the switching mechanism on the CCP.

Specifications:

- Rated ampacity 5 A
- Rated voltage 240 Vac
- NC/NO contacts are closed/open when the CCP switch is in the "ON" position (closed)
- Flammability rating UL 94V0

Agency information

- UL 98 Recognized, File E155130, Guide WHTY2
- cULus to CSA, Standard 22.2 No. 4-04
- IEC 60947-5-1

Wiring

- 20-16AWG (0.5 to 1.5mm²) wire
- Torque 5 Lb-In (0.68N•m)
- For use with only 75°C Cu wire

Packaging

- The CCP-AUX and CCP-AUX-100 are packaged individually
- A single unit is capable of mounting to a 1-, 2-, or 3-pole CCP

Installation technique

- Mounts on the right side ONLY of the CCP, and mechanically interlocks with the CCP switch handle with hardware provided

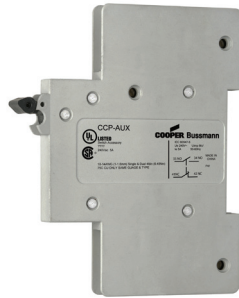
IP20 rating — yes

Environmental data

- Storage and operating temperature: -20°C to 75°C

Catalog numbers

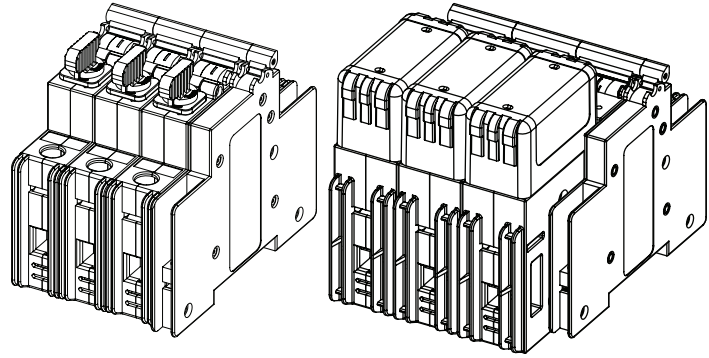
- 1-60 A, CCP-AUX
- 70-100 A, CCP-AUX-100



Installed on a CCP-3-xx

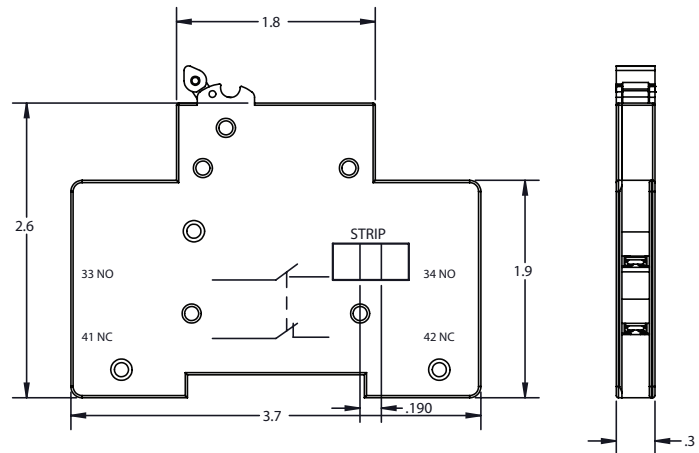
Up to 60A CCP

70 to 100A CCP

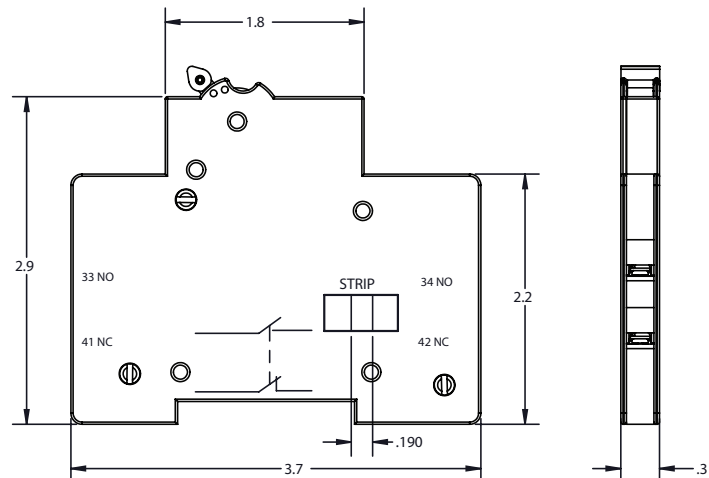


Dimensions – mm (in)

Up to 60A CCP



70 to 100A CCP



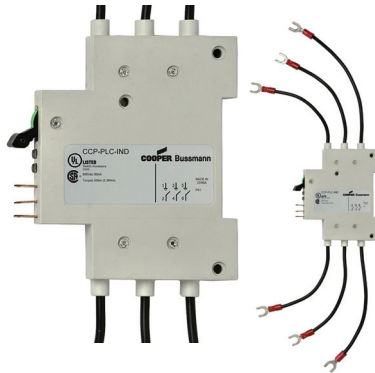
Description	Max per CCP	Signal output	Agency information	Catalog no.
Auxiliary Contacts NO+NC for Switch Status up to 60A	1 per CCP (1-, 2- or 3-pole)	5A/240 Vac	UL 98 Recognized, cURus 22.2 No. 4-04, IEC 60947-5-1 AC-15	CCP-AUX
Auxiliary Contacts NO+NC for Switch Status 70 to 100A	1 per CCP (1-, 2- or 3-pole)	5A/240 Vac	UL 98 Recognized, CSA C22.2 No. 4-04	CCP-AUX-100

De-energize all circuits before installing or removing any CCP-AUX devices and follow all prescribed safety procedures.

PLC fuse monitor:

Description:

A resettable three-phase fuse monitor that integrates with the I/O card in a Programmable Logic Controller (PLC).



Specifications:

- Signal output to PLC:
 - +24Vdc, 10mA max
- Output signals:
 - Digital 0Vdc (low), 24Vdc max (high)
 - 0Vdc Low – fuse is good
 - 24Vdc High – fuse has opened

When the fuse opens, the output signal is sent high and will remain high until the unit is reset.

Agency information

- UL 98 Recognized, File E155130, Guide WHTY2
- cULus to CSA, Standard 22.2 No. 4-04

Emissions and immunity testing

- Electrostatic discharge, IEC 61000-4-2
- Electrical fast transient/burst, IEC 6100-4-4
- Surge immunity, IEC 61000-4-5

Rated impulse voltage

- 8kV

Local indication

- Two distinct LEDs indicate unit power (green) and open fuse (red). Open fuse LED is resettable upon the replacement of the fuse and the actuation of the reset switch

Flammability rating

- UL 94V0

Wiring

- For power, signal and ground connections use shielded twisted pair 22-24AWG (0.34-0.25mm²) 300V rated wire

Packaging

- The CCP-PLC-IND is packaged individually
- A single unit monitors up to three phases. Package includes 0.110" (2.8mm) quick connects for power, signal and ground connections

Minimum circuit voltage

- Minimum circuit voltage required across the CCP is 100 Vac/dc for the remote indication device to operate

Installation technique

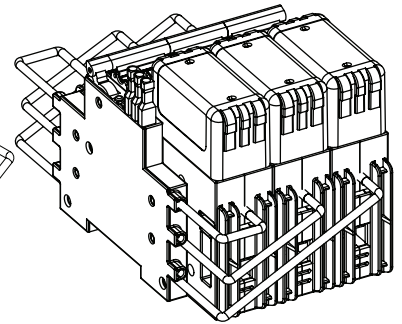
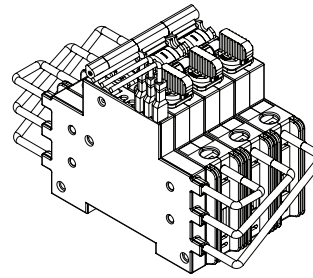
- Mounts on the left side ONLY of the CCP and mechanically interlocks with the CCP switch handle with hardware provided

IP20 rating – yes

Installed on a CCP-3-xx

Up to 60A CCP

70 to 100A CCP



Storage and operating temperature

- -20°C to 75°C

PLC programming

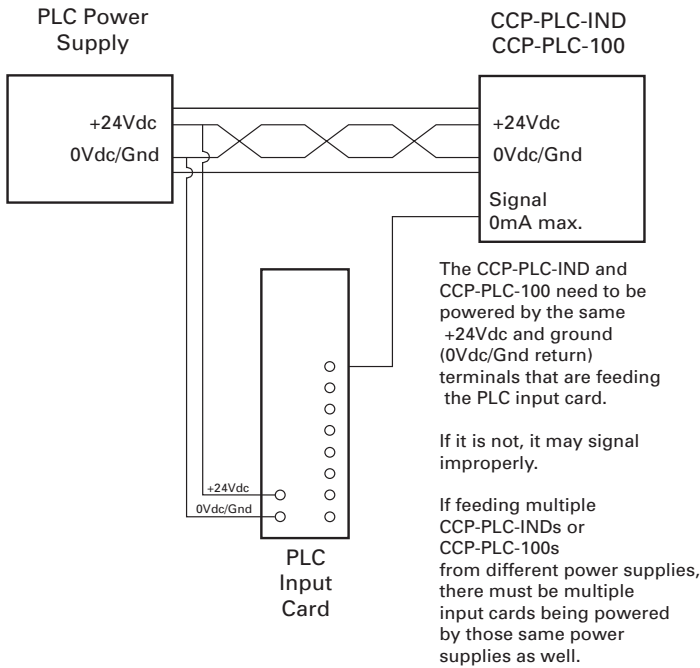
- The CCP-PLC-IND signal line is designed to provide a digital input to a PLC I/O card. In this case, a Programmable Logic Control program must be written to properly interpret the input signal to the PLC. The PLC program should check for consecutive high signals before taking action on a critical process.

Catalog numbers

- 1-60 A, CCP-PLC-IND
- 70-100 A, CCP-PLC-100

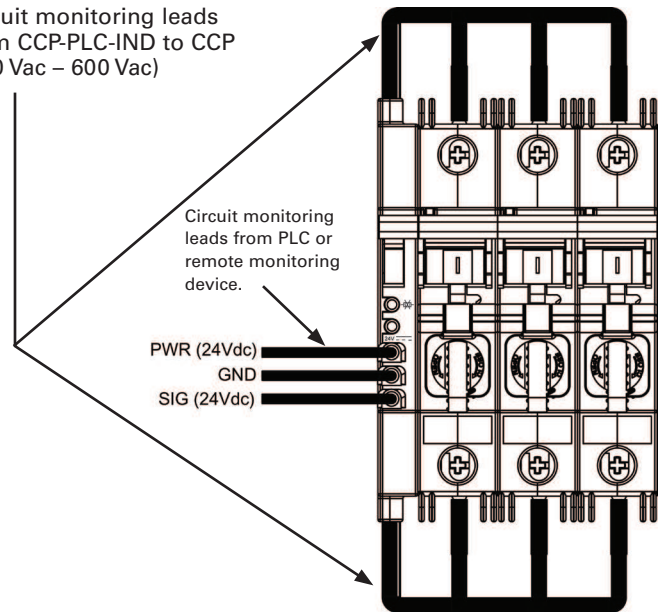
Description	Max per CCP	Signal output to PLC	Min. circuit Volts	Agency information	Catalog no.
Wired remote fuse indication for PLC applications	1 per CCP	24Vdc/10mA	100 Vac	UL 98 Recognized, cURus 22.2 No. 4-04	CCP-PLC-IND
Wired remote fuse indication for PLC applications	(1, 2- or 3-pole)	10mA	Vac	cURus 22.2 No. 4-04	CCP-PLC-100
De-energize all circuits before installing or removing any CCP-PLC-IND devices and follow all prescribed safety procedures.					

PLC wiring schematic:

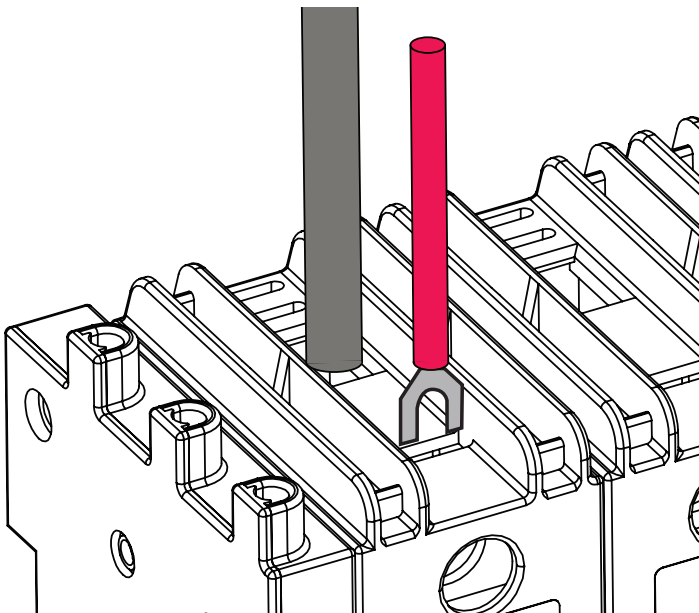


Connections for CCP-PLC-IND from a CCP-3-XX to a remote monitoring device

Circuit monitoring leads from CCP-PLC-IND to CCP (100 Vac – 600 Vac)



Connection from CCP-PLC-IND to CCP



Connect leads from CCP-PLC-IND to the terminals as shown. There is a dedicated terminal on the CCP to accept the spade connectors from the CCP-PLC-IND.

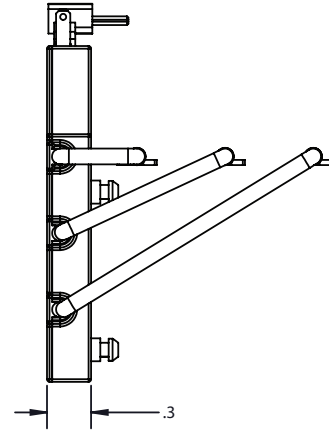
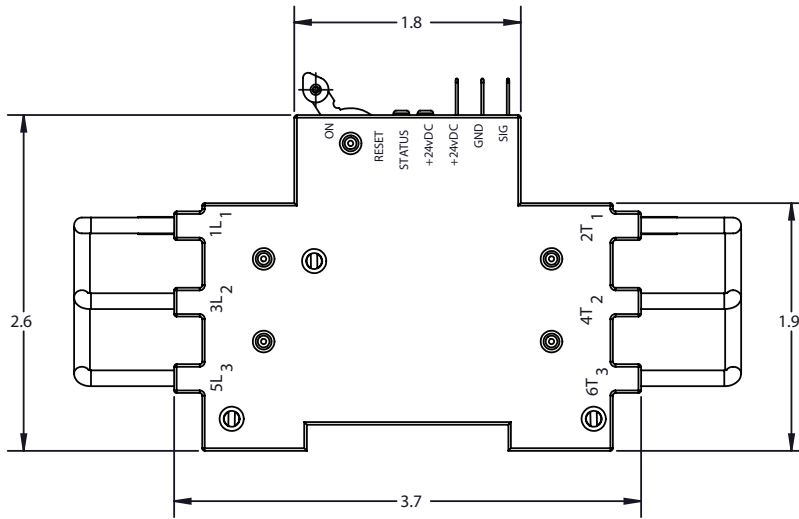
NOTE: When monitoring a 1-or 2-pole CCP, trim unused leads.

Compact Circuit Protector (CCP)
 UL Class CC, CF (CUBEFuse), midjet and IEC 10x38mm
 fused disconnect switches

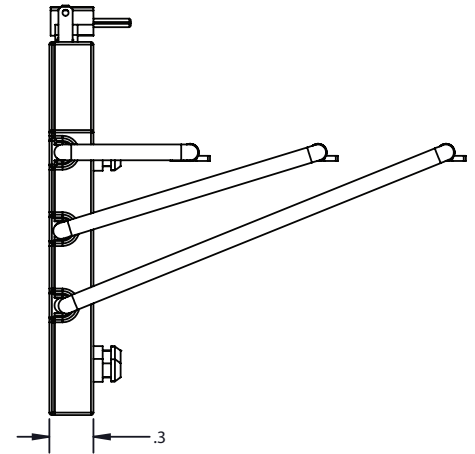
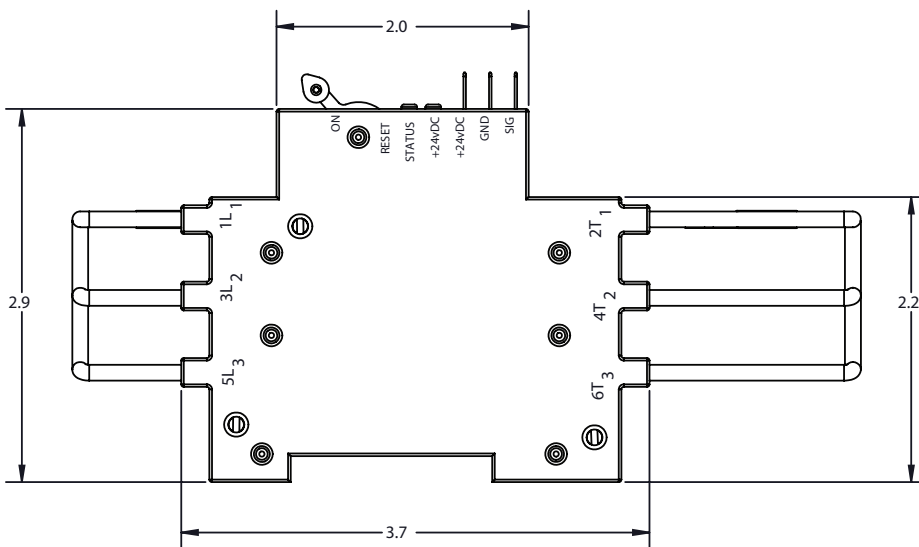
Technical Data 1157
 Effective March 2017

Dimensions – mm (in)

Up to 60A CCP



70 to 100A CCP



The only controlled copy of this data sheet is the electronic read-only version located on the Eaton network drive. All other copies of this document are by definition uncontrolled. This bulletin is intended to clearly present comprehensive product data and provide technical information that will help the end user with design applications. Eaton reserves the right, without notice, to change design or construction of any products and to discontinue or limit distribution of any products. Eaton also reserves the right to change or update, without notice, any technical information contained in this bulletin. Once a product has been selected, it should be tested by the user in all possible applications.

Eaton
1000 Eaton Boulevard
Cleveland, OH 44122
United States
Eaton.com

Bussmann Division
114 Old State Road
Ellisville, MO 63021
United States
Eaton.com/bussmannseries

© 2017 Eaton
All Rights Reserved
Printed in USA
Publication No. 1157 – BU-SB15192
March 2017

Eaton, Bussmann, CUBEFuse and Low-Peak are valuable trademarks of Eaton in the US and other countries. You are not permitted to use the Eaton trademarks without prior written consent of Eaton.

CSA is a registered trademark of the Canadian Standards Group
UL is a registered trademark of the Underwriters Laboratories, Inc.

For Eaton's Bussmann series
product information,
call **1-855-287-7626** or visit:
Eaton.com/bussmannseries