



Chipsmall Limited consists of a professional team with an average of over 10 year of expertise in the distribution of electronic components. Based in Hongkong, we have already established firm and mutual-benefit business relationships with customers from,Europe,America and south Asia,supplying obsolete and hard-to-find components to meet their specific needs.

With the principle of “Quality Parts,Customers Priority,Honest Operation,and Considerate Service”,our business mainly focus on the distribution of electronic components. Line cards we deal with include Microchip,ALPS,ROHM,Xilinx,Pulse,ON,Everlight and Freescale. Main products comprise IC,Modules,Potentiometer,IC Socket,Relay,Connector.Our parts cover such applications as commercial,industrial, and automotives areas.

We are looking forward to setting up business relationship with you and hope to provide you with the best service and solution. Let us make a better world for our industry!



## Contact us

Tel: +86-755-8981 8866 Fax: +86-755-8427 6832

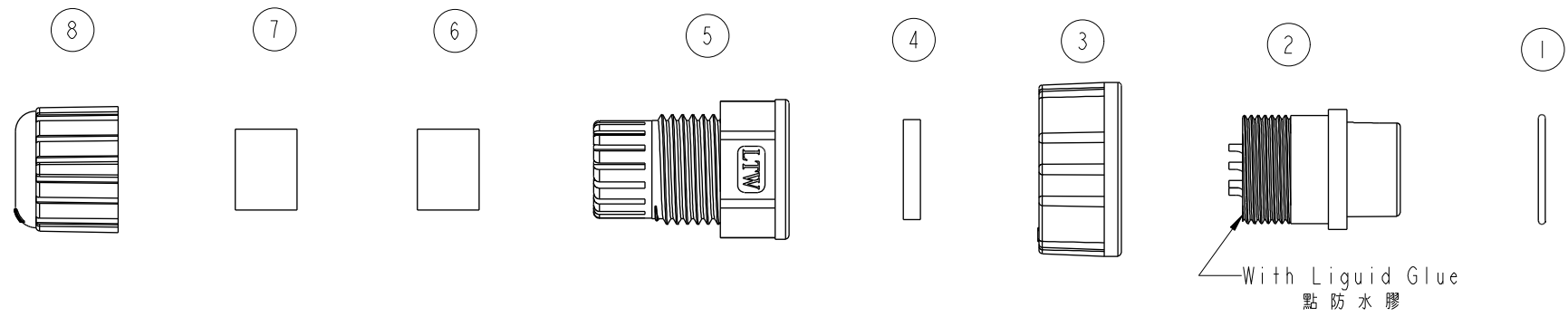
Email & Skype: info@chipsmall.com Web: www.chipsmall.com

Address: A1208, Overseas Decoration Building, #122 Zhenhua RD., Futian, Shenzhen, China



THIS DOCUMENT IS SUBJECT TO CHANGE WITHOUT NOTICE. IT IS CONFIDENTIAL AND A PROPERTY OF Amphenol LTW. DISCLOSURE TO THIRD PARTY HAS TO BE AUTHORIZED BY Amphenol LTW.

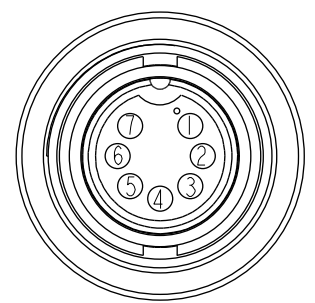
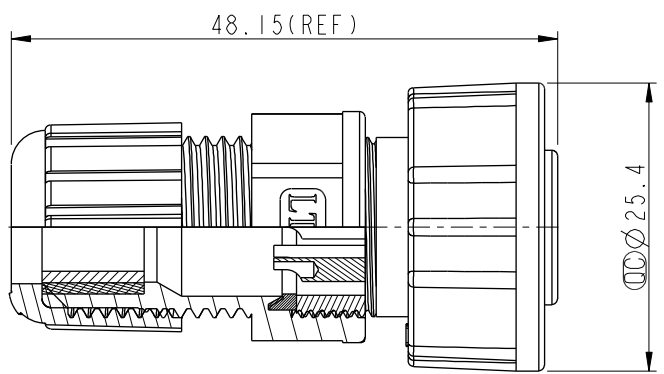
REV.	ECN NO.	DATE	SIGN	DESCRIPTION



**ALTW**  
 CONFIDENTIAL  
 2012-04-11  
 R&D DEPT.

**ALTW**  
 DCC. DEPT.  
 CONFIDENTIAL  
 2012-05-15  
**ISSUED**

- Note:
- \*  $\varnothing$  Important Dimension  
( $\varnothing$  為重點檢驗尺寸)
  - \* Waterproof Rate : IP67
  - \* Seals B1 for Cable OD:  $\varnothing 7.6\text{mm} - \varnothing 9.6\text{mm}$   
(防水墊圈B1線徑:  $\varnothing 7.6\text{mm} - \varnothing 9.6\text{mm}$ )
  - \* Seals B2 for Cable OD:  $\varnothing 4.0\text{mm} - \varnothing 7.6\text{mm}$   
(防水墊圈B2線徑:  $\varnothing 4.0\text{mm} - \varnothing 7.6\text{mm}$ )
  - \* One Set Unassembled in One PE Bag.  
(每一組未組裝, 放置於一個PE袋, 並封口)
  - \* Ring: Black, EPDM
  - \* Housing: Black, Nylon+GF
  - \* Pin: Copper Alloy, Gold Plated
  - \* Screw Nut: Black, Nylon+GF
  - \* Gasket : Black, EPDM
  - \* Seals : Black, EPDM
  - \* Clamp Ring: Black, Nylon
  - \* Sealing Nut: Black, Nylon
  - \* Liquid Glue: Clear



Pin Assignments  
Front View 前視圖

UNIT: mm		
TOLERANCE	±0.25	
.X	±0.1	
.XX	±0.05	
.XXX	±1°	
ANGLES		

TITLE Middle Assy Screw 7Pin F Conn M Pin			
SCALE 1:1	SIZE A4	SHEET 1 OF 1	
REV. A	WC-REV. A.2	$\varnothing$ : Inspection item	

**Amphenol LTW**  
 安費諾亮泰企業股份有限公司

ITEM NO. CD-07BFMA-SL7001	DRAWN BY SamChang	DATE 2012-04-11
DWG NO. CD-07BFMA-SL7001	CHECKED BY Jeffrey	DATE 2012-05-15
CUSTOMER ALTW	APPROVED BY Lion	DATE 2012-05-15